

| <b>Part No.</b> | <b>Reference No.</b> | <b>Quantity</b> | <b>Description</b>       |
|-----------------|----------------------|-----------------|--------------------------|
| 0000127511~S    | *                    |                 | CABINET                  |
| 0000127510~S    | *                    |                 | CONTROLS                 |
| 0000127509~S    | *                    |                 | FAN                      |
| 0000127507~S    | *                    |                 | GENERAL ASSEMBLY         |
| 0000127512~S    | *                    |                 | MODEL NUMBER DESCRIPTION |
| 0000127508~S    | *                    |                 | REFRIGERATION            |

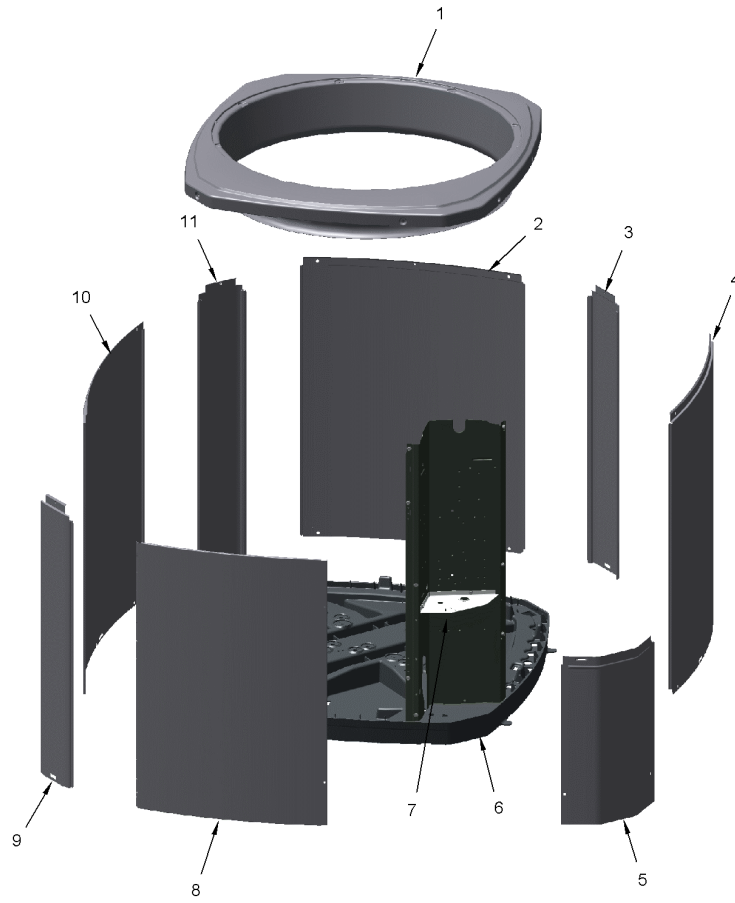
| Part No.     | Reference No. | Quantity | Description        |
|--------------|---------------|----------|--------------------|
| 0000032944~P | *             |          | CABINET PARTS LIST |

CABINET

75010774

REV.  
A

TYPICAL ILLUSTRATION



| <b>Part No.</b> | <b>Reference No.</b> | <b>Quantity</b> | <b>Description</b>                                    |
|-----------------|----------------------|-----------------|---|
| PAI00246        |                      | 0               | PAINT; SPRAY, TARPAULIN GRAY (SHIPPING UOM 12 OZ HAZ) |
| SCR02010        |                      | 17              | SCREW; 12-18 AB HXW 1/2 SN                            |
| SCR02054        |                      | 17              | SCREW; 12-18 AB HXW 1/2 SN                            |
| COV03396        | 1                    | 1               | COVER; TOP  |
| PNL25809        | 2                    | 1               | PANEL; WRAPPER, 23 X 41                               |
| PNL25807        | 3                    | 1               | PANEL; CORNER POST, 3.57 X 41.33                      |
| PNL25809        | 4                    | 1               | PANEL; WRAPPER, 23 X 41                               |
| COV03224        | 5                    | 1               | COVER, CONTROL, 11.32 X 18.11                         |
| BAS01834        | 6                    | 1               | BASE; 41.78 X 41.81 DIAGONALLY                        |
| COV03228        | 7                    | 1               | COVER, CONTROL BOTTOM                                 |
| PNL25810        | 8                    | 1               | PANEL; ACCESS, 19.84 X 40.65                          |
| PNL25807        | 9                    | 1               | PANEL; CORNER POST, 3.57 X 41.33                      |
| PNL25808        | 10                   | 1               | PANEL; WRAPPER, 27 X 41.33                            |
| PNL25807        | 11                   | 1               | PANEL; CORNER POST, 3.57 X 41.33                      |

| Part No.     | Reference No. | Quantity | Description         |
|--------------|---------------|----------|---------------------|
| 0000032945~P | *             |          | CONTROLS PARTS LIST |

CONTROLS

75010701

REV  
A

TYPICAL ILLUSTRATION



| Part No. | Reference No. | Quantity | Description   |
|----------|---------------|----------|---|
| CON00241 | *             | 1        | CONNECTOR; WIRE                                       |
| PAI00246 | *             | 0        | PAINT; SPRAY, TARPAULIN GRAY (SHIPPING UOM 12 OZ HAZ) |
| PLU00984 | *             | 1        | PLUG; LOCKING HOLE                                    |
| PLU01351 | *             | 1        | PLUG; SCROLL COMPRESSOR                               |
| SCR01918 | *             | 5        | SCREW, 10-24 THREAD ROLL, INDENT HEX WASHER HD        |
| TER00312 | *             | 2        | TERMINAL; 8IN. TIE CABLE                              |
| TIE00007 | *             | 2        | TIE;CABLE   |
| CPT02655 | 1             | 1        | CAPACITOR; 70+7.5 MFD 440V                            |
| SRP00093 | 1a            | 1        | STRAP;CAPACITOR                                       |
| SHD00386 | 2             | 1        | SHIELD; MOISTURE, 12.75 X 5.00                        |
| SHD00387 | 3             | 1        | SHIELD; MOISTURE, 10.25 X 4.00                        |
| CTR02576 | 4             | 1        | CONTACTOR; 2P 40A 24VAC / SCREWS                      |
| PNL25790 | 5             | 1        | PANEL, CONTROL PANEL BASE, 39.14 HEIGHT               |

| Part No.     | Reference No. | Quantity | Description    |
|--------------|---------------|----------|----------------|
| 0000032941~P | *             |          | FAN PARTS LIST |

FAN

75010673

REV  
A

TYPICAL ILLUSTRATION



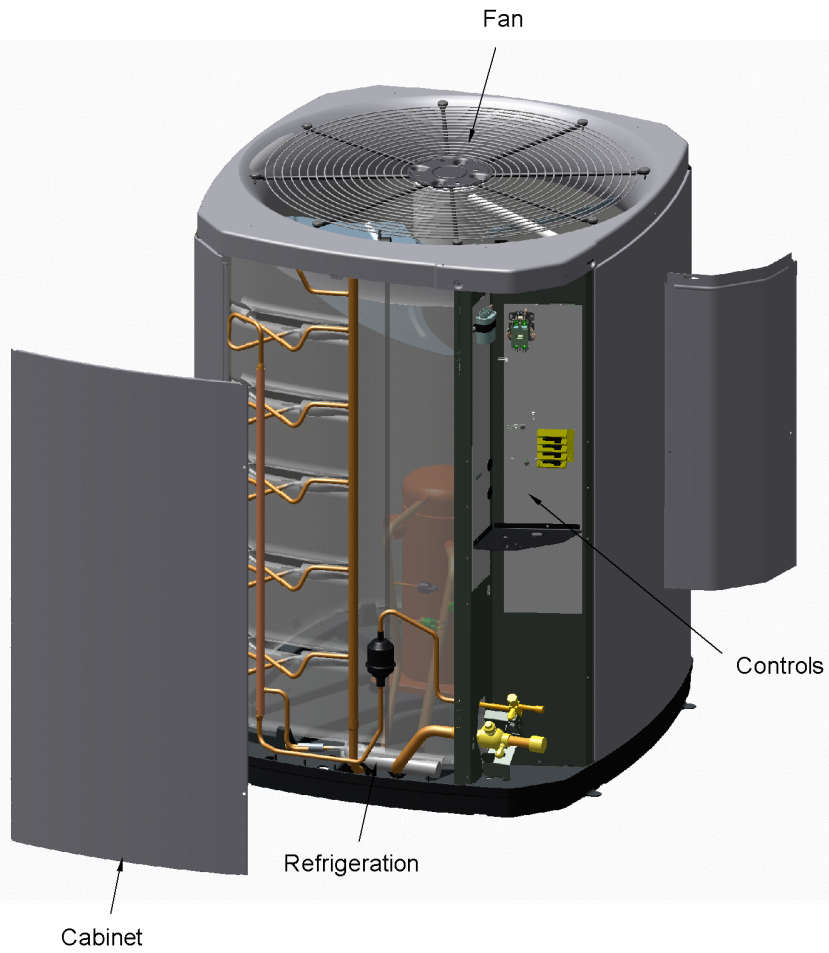
| <b>Part No.</b> | <b>Reference No.</b> | <b>Quantity</b> | <b>Description</b>  |
|-----------------|----------------------|-----------------|---|
| FAN05525        | 1                    | 1               | FAN; 2 SWEPT BLADES, 27.50 IN DIA, 27 DEG PITCH, 0.50 IN BORE, CCW, ALUMINUM, 1 SET SCREW-STEEL, SPIDER 0.050 THK |
| MOT17917        | 2                    | 1               | MOTOR; 1/5 HP, 200/230/60/1, 825 RPM, 48 FRAME, PSC, BALL BEARING, CCW  |
| SCR02086        | 4                    | 4               | SCREW; 10-32 TR-3 HXW 3/8 S   |
| GRD01416        | 5                    | 1               | GUARD, TROUGH-LEAD  |

| Part No.     | Reference No. | Quantity | Description              |
|--------------|---------------|----------|--------------------------|
| 0000011040~P | *             |          | GENERAL ASSEMBLY GRAPHIC |

SPLIT SYSTEM COOLING

75011195

REV.  
A



This is a typical illustration. The unit in the field may not appear exactly as shown.

| Part No.    | Reference No. | Quantity | Description          |
|-------------|---------------|----------|----------------------|
| 000006277~P | *             |          | MODEL NUMBER GRAPHIC |

MODEL NUMBER DESCRIPTION

75005586

REV  
D

OUTDOOR UNITS

*Example Model Number:*

**4 TWV 00 3 6 A 1 0 0 0 A A**  
1 - - - 5 - - - 10 - - - 15

**Digit 1 – Refrigerant Type**

2 = R-22  
4 = R-410A

**Digit 2 – Trane**

**Digit 3 – Product Type**

W = Split Heat Pump  
T = Split Cooling

**Digit 4 – Product Family**

V = Variable Speed  
Z = Leadership - Two Stage  
X = Leadership  
R = Replacement/Retail  
M or B = Basic  
A = Light Commercial  
L = Side Discharge

**Digit 5 – Family SEER**

3 = 13      7 = 17  
4 = 14      9 = 19  
5 = 15      9 = 19  
6 = 16      0 = 20

**Digits 6 – Split System Connections 1-6 Tons**

0 = Brazed

**Digits 7,8 – Nominal Capacity in 000s BTUs**

**Digit 9 – Major Design Modifications**

**Digit 10 – Power Supply**

1 = 200-230/1/60 or 208-230/1/60  
3 = 200-230/3/60  
4 = 460/3/60

**Digit 11,12,13 – Secondary Function**

**Digit 14 – Minor Design Modifications**

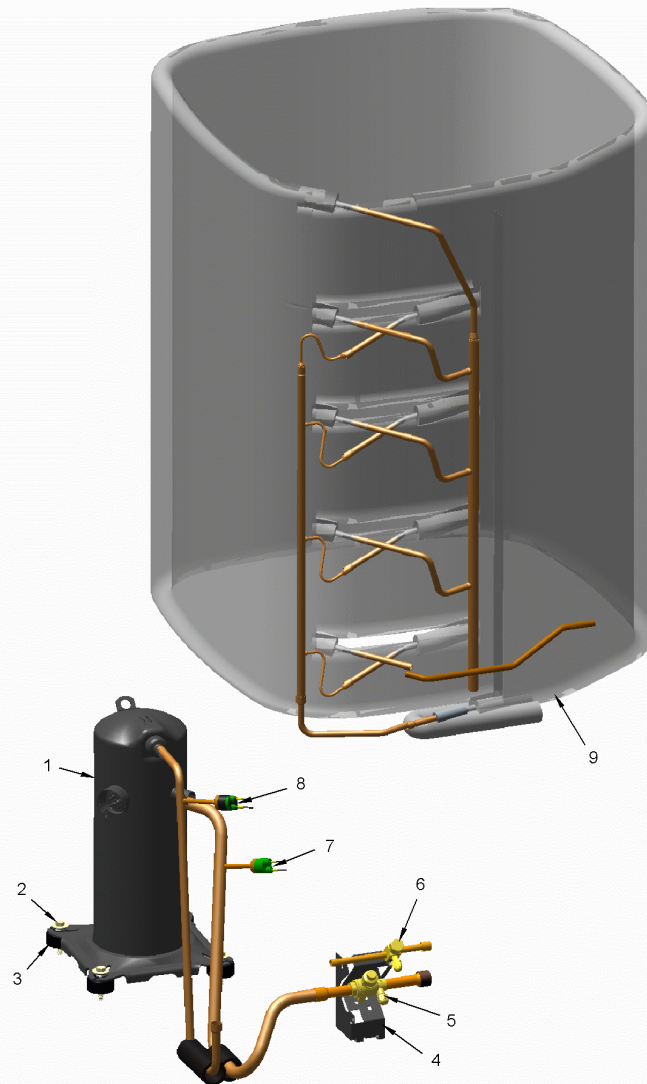
**Digit 15 – Unit Parts Identifier**

| Part No.     | Reference No. | Quantity | Description          |
|--------------|---------------|----------|----------------------|
| 0000032950~P | *             |          | REFRIGERATION SYSTEM |

REFRIGERATION

75011187

REV.  
A



This is a typical illustration. The unit in the field may not appear exactly as shown.

| Part No. | Reference No. | Quantity | Description   |
|----------|---------------|----------|---|
| CAP00156 | *             | 0        | CAP, TUBE PLUG, .447-.513 OD  |
| CAP01336 | *             | 1        | CAP; SERVICE LIQUID VALVE, BRASS, 0.75 OD X 0.57 ID X 11/16-28UN-2B             |
| CAP01412 | *             | 1        | CAP; SERVICE VALVE, BRASS, 1.00 OD X 0.57 ID X M18 X 1-6H                       |
| PAI00246 | *             | 0        | PAINT; SPRAY, TARPAULIN GRAY (SHIPPING UOM 12 OZ HAZ)                           |
| PLU00425 | *             | 0        | PLUG; TUBE  |
| SCR02010 | *             | 3        | SCREW; 12-18 AB HXW 1/2 SN  |
| SLV00082 | *             | 0        | SLEEVE;   |
| SLV00083 | *             | 0        | SLEEVE;   |
| SWT04656 | *             | 1        | SWITCH; LOW PRESSURE BZ   |
| TEE00095 | *             | 1        | TEE; COPPER   |
| TER00312 | *             | 0        | TERMINAL; 8IN. TIE CABLE  |
| TIE00007 | *             | 0        | TIE;CABLE   |
| TIE00023 | *             | 4        | TIE;CABLE, 8.00IN.  |
| TUB11547 | *             | 16       | TUBE; TRANSITION ASSEMBLY   |
| VAL20231 | *             | 1        | VALVE; SER GAS 0 (14-14-14)   |
| COM13703 | 1             | 1        | COMPRESSOR; LCA049B1CPA SCROLL-13703  |
| BRK03696 | 4             | 1        | BRACKET; VALVE  |
| SWT03273 | 8             | 1        | SWITCH, HIGH PRESSURE, SPST, OPEN @ 650 PSIG, CLOSE @ 500 PSIG, 88" YELLOW LEAD |
| COL25768 | 9             | 1        | COIL; CONDENSER, SPINE-FIN  |