

Part No.	Reference No.	Quantity	Description
0000170010~S	*		CABINET
0000193467~S	*		COMPRESSOR MOUNTING
0000170009~S	*		COMPRESSOR
0000170008~S	*		CONTROLS
0000170007~S	*		FAN
0000170005~S	*		MODEL NUMBER DESCRIPTION
0000170006~S	*		REFIGERATION

Part No.	Reference No.	Quantity	Description
0000033271~P	*		CABINET PARTS LIST

CABINET

75010774

REV.
A

TYPICAL ILLUSTRATION



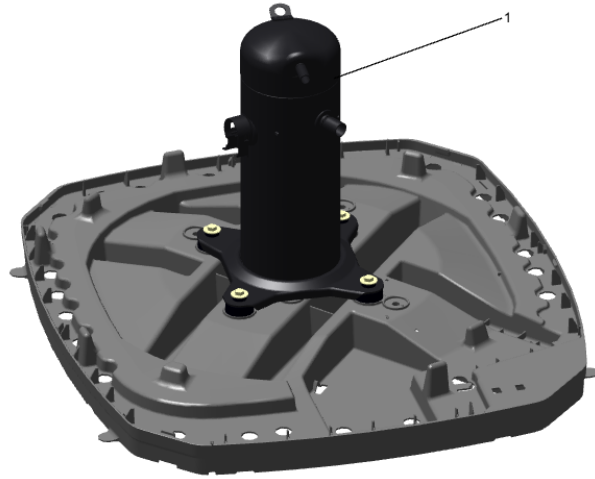
Part No.	Reference No.	Quantity	Description
PAI00246	*	0	PAINT; SPRAY, TARPAULIN GRAY (SHIPPING UOM 12 OZ HAZ)
SCR02010	*	17	SCREW; 12-18 AB HXW 1/2 SN
SCR02054	*	17	SCREW; 12-18 AB HXW 1/2 SN
COV04506	1	1	COVER; TOP, 37.00 X 34.00, TARPAULIN GRAY
PNL25809	2	1	PANEL; WRAPPER, 23 X 41
PNL25807	3	1	PANEL; CORNER POST, 3.57 X 41.33
PNL25809	4	1	PANEL; WRAPPER, 23 X 41
COV03224	5	1	COVER, CONTROL, 11.32 X 18.11
BAS01834	6	1	BASE; 41.78 X 41.81 DIAGONALLY
COV03228	7	1	COVER, CONTROL BOTTOM
PNL25810	8	1	PANEL; ACCESS, 19.84 X 40.65
PNL25807	9	1	PANEL; CORNER POST, 3.57 X 41.33
PNL25808	10	1	PANEL; WRAPPER, 27 X 41.33
PNL25807	11	1	PANEL; CORNER POST, 3.57 X 41.33

COMPRESSOR

Parts List Number :0000169984

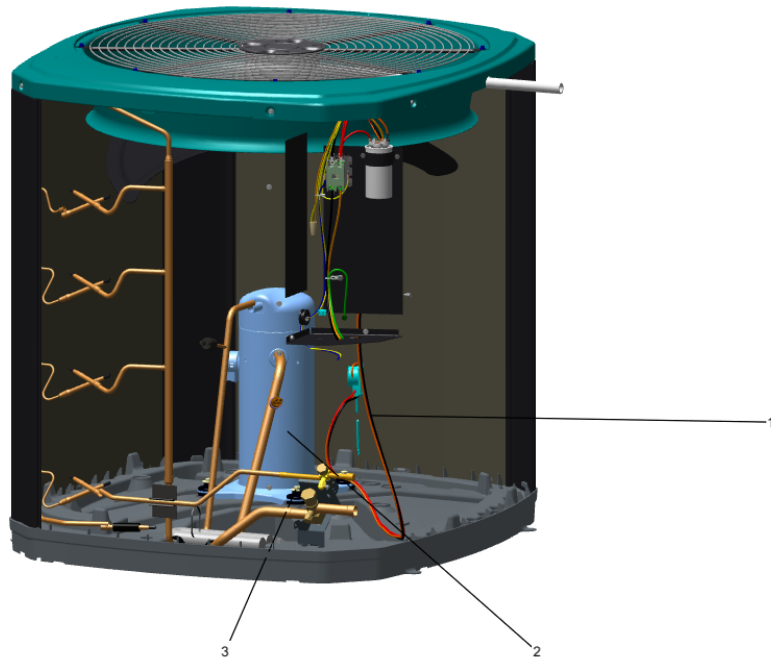
Model Number :4TTR6048N1000AA

Part No.	Reference No.	Quantity	Description
0000037012~P	*		SCROLL COMPRESSOR



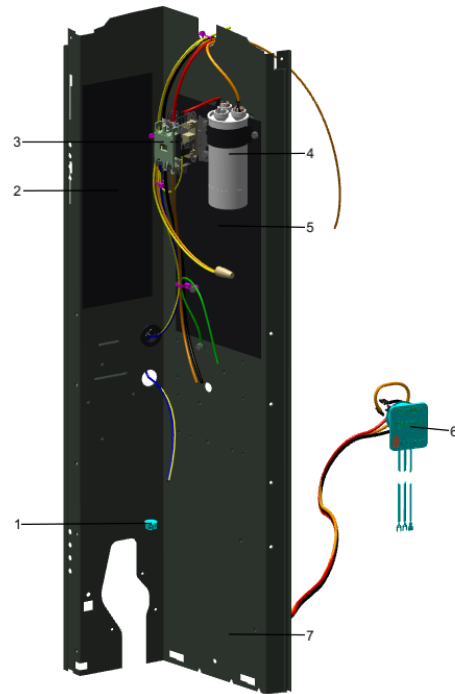
Part No.	Reference No.	Quantity	Description
COM12923	1	1	COMPRESSOR; SCROLL, TBA040B1CPA, 4.0 TON, 208-230/60/1, R410A, BRAZED-STUB TUBE

Part No.	Reference No.	Quantity	Description
0000041298~P	*		COMPRESSOR MTG-SCROLL



Part No.	Reference No.	Quantity	Description
ISR00007		4	ISOLATOR; VIBRATION
SCR01914		4	SCREW, ASSEMBLY COMPRESSOR, 5/16-12 TYPE B, W/WASHER & SLEEVE
KIT08039	3	4	KIT; GROMMETS. COMPRESSOR MOUNTING. (CONSISTS OF 4), 0.44 ID X 1.63 OD NEOPRENE RUBBER-BLACK 45-55 DUROMETER

Part No.	Reference No.	Quantity	Description
0000036941~P	*		CONTROLS-COOLING PARTS LIST



Part No.	Reference No.	Quantity	Description
CON00241	*	1	CONNECTOR; WIRE
PAI00246	*	0	PAINT; SPRAY, TARPAULIN GRAY (SHIPPING UOM 12 OZ HAZ)
PLU01057	*	1	PLUG; COMPRESSOR SOLENOID, 2 LEADS, WHITE WIRES, 85 IN LENGTH
RTF00058	*	1	RECTIFIER; BRIDGE
SCR01089	*	1	SCREW; 10-24C HXW 3/4 S N
SCR01918	*	6	SCREW, 10-24 THREAD ROLL, INDENT HEX WASHER HD
SRP00093	*	1	STRAP;CAPACITOR
TER00312	*	2	TERMINAL; 8IN. TIE CABLE
TIE00007	*	2	TIE;CABLE
WIR04816	*	1	WIRE; PLUG-SCROLL COMPRESSOR
WIR09431	*	1	WIRE; HARNESS
PLU00984	1	1	PLUG; LOCKING HOLE
SHD00387	2	1	SHIELD; MOISTURE, 10.25 X 4.00
CPT00578	4	1	CAPACITOR; RUN, 35 MFD, 440V, ROUND, W/O RESISTOR
CTR00845	5	1	CONTACTOR; 30 AMP, 240/480/600V, 24V COIL, 1 POLE
PNL25790	7	1	PANEL, CONTROL PANEL BASE, 39.14 HEIGHT

Part No.	Reference No.	Quantity	Description
0000050610~P	*		FAN PARTS LIST

Part No.	Reference No.	Quantity	Description
FAN04368		1	FAN, 3 SWEPT BLADE, 27.5" DIA, 26 DEG PITCH, 0.50" BORE, CCW, ALUMINUM
GRL02406		1	GRILLE; FAN (AS4)
MOT18698		1	MOTOR; OD ECM 1/3HP 230V
MOT18777		1	MOTOR; 1/3HP OD CSM
SCR02086		4	SCREW; 10-32 TR-3 HXW 3/8 S
WIR04272		1	WIRE; HARNESS-CONTROL BOX
WIR09431		1	WIRE; HARNESS

Part No.	Reference No.	Quantity	Description
0000036907~P	*		MODEL NUMBER DESCRIPTION PARTS LIST

MODEL NUMBER DESCRIPTION

75005586

REV
D

OUTDOOR UNITS

Example Model Number:

4 TWV 00 3 6 A 1 0 0 0 A A
1 - - - 5 - - - 10 - - - 15

Digit 1 – Refrigerant Type

2 = R-22
4 = R-410A

Digit 2 – Trane

Digit 3 – Product Type

W = Split Heat Pump
T = Split Cooling

Digit 4 – Product Family

V = Variable Speed
Z = Leadership - Two Stage
X = Leadership
R = Replacement/Retail
M or B = Basic
A = Light Commercial
L = Side Discharge

Digit 5 – Family SEER

3 = 13 7 = 17
4 = 14 9 = 19
5 = 15 9 = 19
6 = 16 0 = 20

Digits 6 – Split System Connections 1-6 Tons

0 = Brazed

Digits 7,8 – Nominal Capacity in 000s BTUs

Digit 9 – Major Design Modifications

Digit 10 – Power Supply

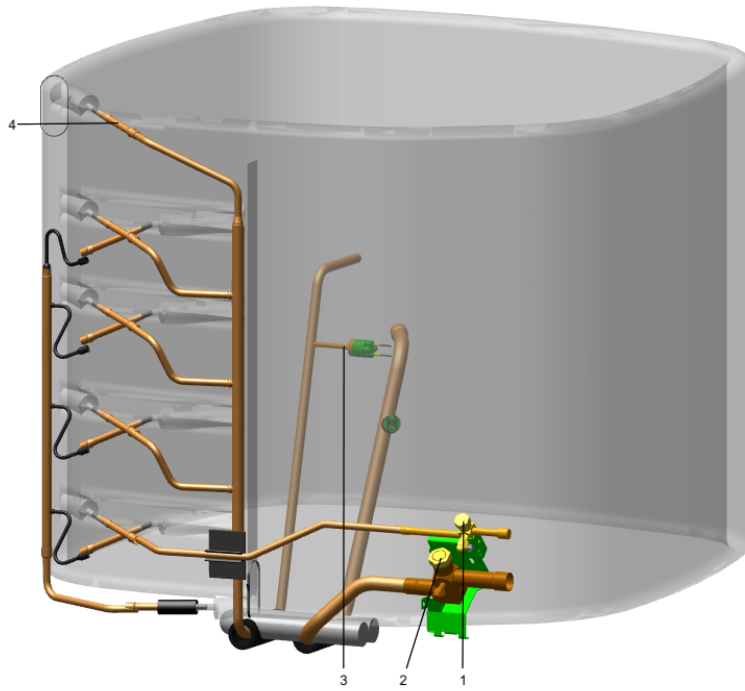
1 = 200-230/1/60 or 208-230/1/60
3 = 200-230/3/60
4 = 460/3/60

Digit 11,12,13 – Secondary Function

Digit 14 – Minor Design Modifications

Digit 15 – Unit Parts Identifier

Part No.	Reference No.	Quantity	Description
0000032133~P	*		REFRIGERANT SYSTEM



Part No.	Reference No.	Quantity	Description
CAP00156	*	0	CAP, TUBE PLUG, .447-.513 OD
PAI00246	*	0	PAINT; SPRAY, TARPAULIN GRAY (SHIPPING UOM 12 OZ HAZ)
SCR02010	*	3	SCREW; 12-18 AB HXW 1/2 SN
COM12923		1	COMPRESSOR; SCROLL, TBA040B1CPA, 4.0 TON, 208-230/60/1, R410A, BRAZED-STUB TUBE
CAP01336	1	1	CAP; SERVICE LIQUID VALVE, BRASS, 0.75 OD X 0.57 ID X 11/16-28UN-2B
CAP01412	2	1	CAP; SERVICE VALVE, BRASS, 1.00 OD X 0.57 ID X M18 X 1-6H
SWT03364	3	1	SWITCH, HIGH PRESSURE, SPST, OPEN @ 650 PSIG, CLOSE @ 500 PSIG, 110" LEAD
TUB11547	4	16	TUBE; TRANSITION ASSEMBLY
COL25748	5	0	COIL; SPINE FIN, 32.14W X 43.00H
BRK03696	6	1	BRACKET; VALVE
VAL20722	7	1	VALVE-SER LIQ O(06-06), A.8
SWT04777	8	1	SWITCH-LOW PRESSURE BZ
VAL20231	9	1	VALVE; SER GAS O (14-14-14)