

SPLIT SYSTEM COOLING

75011195

REV.
A



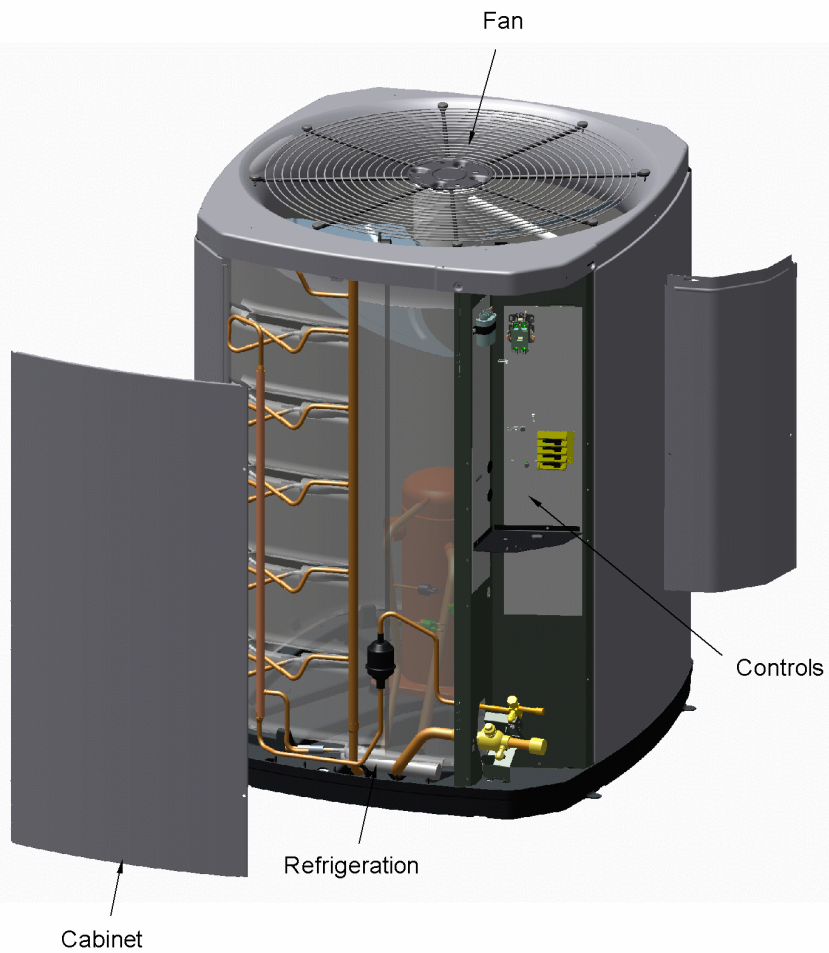
This is a typical illustration. The unit in the field may not appear exactly as shown.

| Part No. | Reference No. | Quantity | Description |
|----------------------------|----------------------|-----------------|---------------------------------|
| 75010774#4TTR6UP4~S | * | | CABINTRY |
| 75010701#4TTR6UP4~S | * | | CONTROLS |
| 75010673#4TTR6UP4~S | * | | FAN |
| 75005586#4TTR6UP4~S | * | | MODEL NUMBER DESCRIPTION |
| OPTIONS#4TTR6UP4~S | * | | OPTIONAL ACCESSORIES |
| 75011187#4TTR6UP4~S | * | | REFRIGERATION |
| 75011195_4TTR6UP4_184799~P | * | | SPLIT SYSTEM COOLING PARTS LIST |

SPLIT SYSTEM COOLING

75011195

REV.
A

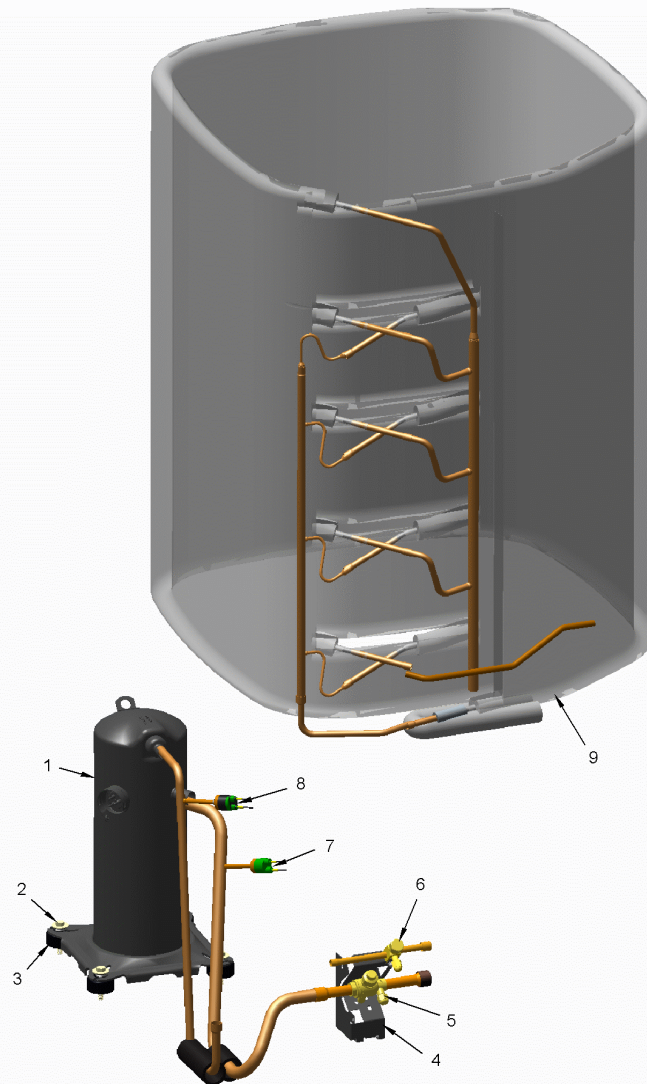


This is a typical illustration. The unit in the field may not appear exactly as shown.

REFRIGERATION

75011187

REV.
A



This is a typical illustration. The unit in the field may not appear exactly as shown.

Parts List Number :75011195#4TTR6UP4

Model Number :4TTR6042J1000AA

| Part No. | Reference No. | Quantity | Description |
|----------------------------|---------------|----------|--------------------------|
| 75011187_4TTR6UP4_358410~P | * | | REFRIGERATION PARTS LIST |

REFRIGERATION

75011187

REV.
A



This is a typical illustration. The unit in the field may not appear exactly as shown.

| Part No. | Reference No. | Quantity | Description |
|----------|---------------|----------|---|
| DHY01457 | * | 1 | DRIER; LIQUID LINE; SERVICE FIRST; 5 CU. IN.; 5.4 TON CAPACITY; 3/8" ODF INLET X 3/8" ODF OUTLET; APPROVED FOR MINERAL OIL AND POE OIL REFRIGERANTS |
| SHD00423 | * | 1 | SHIELD; SALT, 47.75 X 8.00 |
| SPC00386 | * | 1 | SPACER; BASE, 5.50 X 1.00 X 0.50 |
| SPC00512 | * | 3 | SPACER; TUBING |
| SPC00513 | * | 6 | SPACER; COIL |
| WIR04816 | * | 1 | WIRE; PLUG-SCROLL COMPRESSOR |
| COM11527 | 1 | 1 | COMPRESSOR; SCROLL, ALLIANCE, SBA034B1CPZ, 3.0 TON, 34,000 BTUH, 208/230-60-1, R410-A, BRAZED, SUCTION 7/8, DISCHARGE 1/2, RLA 18.6 |
| SCR01914 | 2 | 4 | SCREW, ASSEMBLY COMPRESSOR, 5/16-12 TYPE B, W/WASHER & SLEEVE |
| ISR00007 | 3 | 4 | ISOLATOR; VIBRATION |
| BRK03696 | 4 | 1 | BRACKET; VALVE |
| VAL11774 | 5 | 1 | VALVE; SERVICE GAS ASSEMBLY, 0.88 ODS X 0.88 ODS, WITH 0.25 SAE SERVICE PORT SERVICE |
| VAL09293 | 6 | 1 | VALVE, SERVICE LIQUID, .38 OD X .38 OD, VALVE ASSY |
| SWT03347 | 7 | 1 | SWITCH; LOW PRESSURE, OPEN @ 50 PSIG CLOSE @ 70 PSIG |
| SWT03273 | 8 | 1 | SWITCH, HIGH PRESSURE, SPST, OPEN @ 650 PSIG, CLOSE @ 500 PSIG, 88" YELLOW LEAD |
| COL25746 | 9 | 1 | COIL; SPINE FIN, 32.14W X 42.00H |

FAN

75010673

REV
A

TYPICAL ILLUSTRATION



Parts List Number :75011195#4TTR6UP4

Model Number :4TTR6042J1000AA

| Part No. | Reference No. | Quantity | Description |
|----------------------------|---------------|----------|----------------|
| 75010673_4TTR6UP4_186979~P | * | | FAN PARTS LIST |

FAN

75010673

REV
A

TYPICAL ILLUSTRATION



| Part No. | Reference No. | Quantity | Description |
|-----------------|----------------------|-----------------|--|
| COV03250 | * | 1 | COVER; MOTOR, 6.86 DIA |
| FAN04321 | 1 | 1 | FAN; 2 SWEPT BLADE, 27.5" DIA, 21 DEGREES PITCH, .50" BORE, CCW, ALUMINUM, 1 SET SCREW-STEEL |
| MOT16968 | 2 | 1 | MOTOR; 1/8 HP |
| GRL01348 | 3 | 1 | GRILLE; FAN, 29 IN DIA, SPIRAL WIRE, BASALT GREY |
| SCR02086 | 4 | 4 | SCREW; 10-32 TR-3 HXW 3/8 S |
| GRD01416 | 5 | 1 | GUARD, TROUGH-LEAD |

CONTROLS

75010701

REV
A

TYPICAL ILLUSTRATION



Parts List Number :75011195#4TTR6UP4

Model Number :4TTR6042J1000AA

| Part No. | Reference No. | Quantity | Description |
|----------------------------|---------------|----------|---------------------|
| 75010701_4TTR6UP4_186982~P | * | | CONTROLS PARTS LIST |

CONTROLS

75010701

REV
A

TYPICAL ILLUSTRATION



| Part No. | Reference No. | Quantity | Description |
|----------|---------------|----------|--|
| PAI00248 | * | 1 | PAINT; 12 OZ SPRAY, ANTHRACITE GRAY (SHIPPING UOM 12 OZ HAZ) |
| PLU00984 | * | 1 | PLUG; LOCKING HOLE |
| CPT02380 | 1 | 1 | CAPACITOR; DUAL, 45/5 MFD, 370V, ROUND, W/O RESISTOR |
| SHD00386 | 2 | 1 | SHIELD; MOISTURE, 12.75 X 5.00 |
| SHD00387 | 3 | 1 | SHIELD; MOISTURE, 10.25 X 4.00 |
| CTR00845 | 4 | 1 | CONTACTOR; 30 AMP, 240/480/600V, 24V COIL, 1 POLE |
| PNL25790 | 5 | 1 | PANEL, CONTROL PANEL BASE, 39.14 HEIGHT |

CABINET

75010774

REV.
A

TYPICAL ILLUSTRATION



Parts List Number :75011195#4TTR6UP4

Model Number :4TTR6042J1000AA

| Part No. | Reference No. | Quantity | Description |
|----------------------------|---------------|----------|---------------------|
| 75010774_4TTR6UP4_184802~P | * | | CABINETY PARTS LIST |

CABINET

75010774

REV.
A

TYPICAL ILLUSTRATION



Parts List Number :75011195#4TTR6UP4

Model Number :4TTR6042J1000AA

| Part No. | Reference No. | Quantity | Description |
|----------|---------------|----------|---|
| PAI00246 | * | 1 | PAINT; SPRAY, TARPAULIN GRAY (SHIPPING UOM 12 OZ HAZ) |
| SCR02010 | * | 17 | SCREW; 12-18 AB HXW 1/2 SN |
| COV04506 | 1 | 1 | COVER; TOP, 37.00 X 34.00, TARPAULIN GRAY |
| PNL25809 | 2 | 1 | PANEL; WRAPPER, 23 X 41 |
| PNL25807 | 3 | 1 | PANEL; CORNER POST, 3.57 X 41.33 |
| PNL25809 | 4 | 1 | PANEL; WRAPPER, 23 X 41 |
| COV03224 | 5 | 1 | COVER, CONTROL, 11.32 X 18.11 |
| BAS01834 | 6 | 1 | BASE; 41.78 X 41.81 DIAGONALLY |
| COV03228 | 7 | 1 | COVER, CONTROL BOTTOM |
| PNL25810 | 8 | 1 | PANEL; ACCESS, 19.84 X 40.65 |
| PNL25807 | 9 | 1 | PANEL; CORNER POST, 3.57 X 41.33 |
| PNL25808 | 10 | 1 | PANEL; WRAPPER, 27 X 41.33 |
| PNL25807 | 11 | 1 | PANEL; CORNER POST, 3.57 X 41.33 |

MODEL NUMBER DESCRIPTION
OUTDOOR UNITS

75005586

REV
E

Example Model Number:

4 TWV 0 0 3 6 A 1 0 0 0 A A
1 - - - - 5 - - - - 10 - - - - 15

Digit 1 – Refrigerant Type

2 = R-22
4 = R-410A

Digit 2 – Trane

Digit 3 – Product Type

W = Split Heat Pump
T = Split Cooling

Digit 4 – Product Family

V = Variable Speed
Z = Leadership - Two Stage
X = Leadership
R = Replacement/Retail
M or B = Basic
A = Light Commercial
L = Side Discharge
S = Side Discharge 3 Phase

Digit 5 – Family SEER

3 = 13 7 = 17
4 = 14 8 = 18
5 = 15 9 = 19
6 = 16 0 = 20

Digits 6 – Split System Connections 1-6 Tons

0 = Brazed

Digits 7,8 – Nominal Capacity in 000s BTUs

Digit 9 – Major Design Modifications

Digit 10 – Power Supply

1 = 200-230/1/60 or 208-230/1/60
3 = 200-230/3/60
4 = 460/3/60
5 = 400/3/60
A = 220-240/1/50
D = 380-415/3/50

Digit 11,12,13 – Secondary Function

Digit 14 – Minor Design Modifications

Digit 15 – Unit Parts Identifier

| Part No. | Reference No. | Quantity | Description |
|----------------------------|---------------|----------|-------------------------------------|
| 75005586_4TTR6UP4_184800~P | * | | MODEL NUMBER DESCRIPTION PARTS LIST |

MODEL NUMBER DESCRIPTION

75005586

REV
D

OUTDOOR UNITS

Example Model Number:

4 TWV 00 3 6 A 1 0 0 0 A A
1 - - - 5 - - - 10 - - - 15

Digit 1 – Refrigerant Type

2 = R-22
4 = R-410A

Digit 2 – Trane

Digit 3 – Product Type

W = Split Heat Pump
T = Split Cooling

Digit 4 – Product Family

V = Variable Speed
Z = Leadership - Two Stage
X = Leadership
R = Replacement/Retail
M or B = Basic
A = Light Commercial
L = Side Discharge

Digit 5 – Family SEER

3 = 13 7 = 17
4 = 14 9 = 19
5 = 15 9 = 19
6 = 16 0 = 20

Digits 6 – Split System Connections 1-6 Tons

0 = Brazed

Digits 7,8 – Nominal Capacity in 000s BTUs

Digit 9 – Major Design Modifications

Digit 10 – Power Supply

1 = 200-230/1/60 or 208-230/1/60
3 = 200-230/3/60
4 = 460/3/60

Digit 11,12,13 – Secondary Function

Digit 14 – Minor Design Modifications

Digit 15 – Unit Parts Identifier

OPTIONAL ACCESSORIES

Parts List Number :75011195#4TTR6UP4

Model Number :4TTR6042J1000AA

| Part No. | Reference No. | Quantity | Description |
|---------------------------|---------------|----------|---------------------------------|
| OPTIONS_4TTR6UP4_184805~P | * | | OPTIONAL ACCESSORIES PARTS LIST |

| Part No. | Reference No. | Quantity | Description |
|----------------|---------------|----------|---|
| BAYKSKT263 | * | 1 | KIT; COMPRESSOR START KIT |
| KIT05354 | * | 1 | KIT; TIME DELAY (TAYASCT501A) - 5 MINUTE RELAY ONLY IS RLY01343 |
| KIT06322 | * | 1 | KIT; LOW TEMP COOLING (AY28X079) |
| KIT07731 | * | 1 | KIT; SNOW LEGS, CONTAINS (4) 6" MOUNTING LEGS (BAYLEGS002) |
| KIT07732 | * | 1 | KIT; SNOW LEGS, (4" EXTENSION KIT) (BAYLEGS003) |
| KIT08036 | * | 1 | KIT; SEA COAST (BAYSEAC001) |
| KIT08087 | * | 1 | KIT; HEAD PRESSURE (BAYLOAM103) |
| KIT08413 | * | 1 | KIT; SOUND ENCLOSURE, (BAYSDEN004), (MODELS WITH LARGE FRAME (QUEST) SCROLL COMPRESSORS NO LARGER THAN 17.3" TALL OR 7.3" IN DIAMETER EXCEPT IN CABINET HEIGHTS 32.7" OR SHORTER) |
| KIT09425 | * | 1 | KIT; ISOLATOR (BAYISLT101) (CONTAINS A QTY OF 5 ISOLATORS) |
| KIT15190 | * | 1 | KIT; EXTREME MOUNTING CONDITION (BAYECMT004). |
| KIT17668 | * | 1 | KIT; CRANKCASE HEATER FOR SCROLLS, 60W, 230V (BAYCCHT301RES), 6.5-7.5 DIA, 74 IN LENGTH |
| PAI00309 | * | 1 | PAINT; DARK BROWN, 12 OZ SPRAY CAN, HERESITE AIR DRY PHENOLIC COATING, VR-554T |
| TAYSVPANL0046A | * | 1 | PANEL; SERVICE PANEL (TAYSVPANL0046A) |