

Part No.	Reference No.	Quantity	Description
0000170010~S	*		CABINET
0000170009~S	*		COMPRESSOR
0000170008~S	*		CONTROLS
0000170007~S	*		FAN
0000170006~S	*		REFIGERATION

Part No.	Reference No.	Quantity	Description
0000038506~P	*		CABINET PARTS LIST

CABINET

75010774

REV.
A

TYPICAL ILLUSTRATION



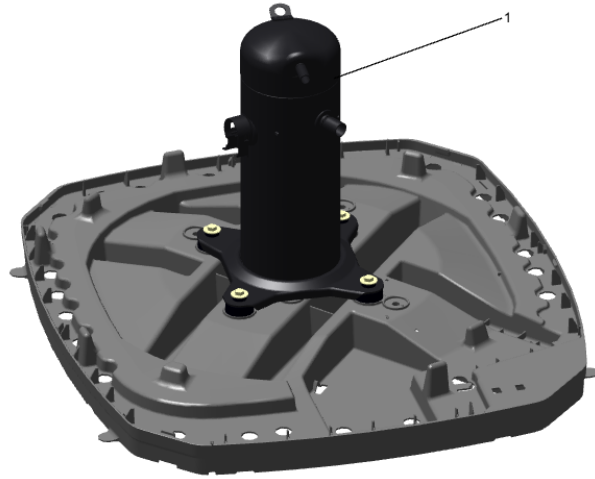
Part No.	Reference No.	Quantity	Description
PAI00246		0	PAINT; SPRAY, TARPAULIN GRAY (SHIPPING UOM 12 OZ HAZ)
COV03399	1	1	COVER; CONTROLS, 26.11 X 11.32
SCR02010	1	17	SCREW; 12-18 AB HXW 1/2 SN
PNL13009	2	1	PANEL, WRAPPER, 23.22 X 37.33
PNL13006	3	1	PANEL, CORNER POST, 3.570 X 37.33
SCR02054	3	17	SCREW; 12-18 AB HXW 1/2 SN
PNL13009	4	1	PANEL, WRAPPER, 23.22 X 37.33
COV03228	5	1	COVER, CONTROL BOTTOM
BAS01834	6	1	BASE; 41.78 X 41.81 DIAGONALLY
COV03396	7	1	COVER; TOP
PNL13159	8	1	PANEL; ACCESS, 19.88 X 36.65
PNL13006	9	1	PANEL, CORNER POST, 3.570 X 37.33
PNL13158	10	1	PANEL; WRAPPER, 27.13 X 37.33
PNL13006	11	1	PANEL, CORNER POST, 3.570 X 37.33

COMPRESSOR

Parts List Number :0000169984

Model Number :4TTR6024N1000AA

Part No.	Reference No.	Quantity	Description
0000038728~P	*		SCROLL COMPRESSOR



Part No.	Reference No.	Quantity	Description
COM13485	1	1	COMPRESSOR; SCROLL, MBA020C1CPA, 1.6 TON, 208/23/60/1

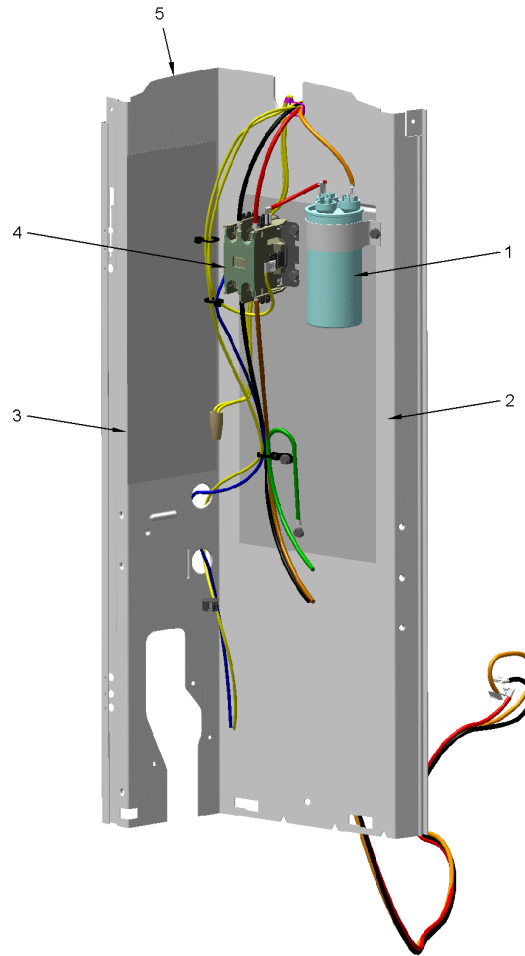
Part No.	Reference No.	Quantity	Description
0000019597~P	*		CONTROLS PARTS LIST

CONTROLS

75010701

REV
A

TYPICAL ILLUSTRATION



Part No.	Reference No.	Quantity	Description
PAI00246	*	1	PAINT; SPRAY, TARPAULIN GRAY (SHIPPING UOM 12 OZ HAZ)
PLU00984	*	1	PLUG; LOCKING HOLE
RLY03865	*	1	RELAY; DELAY ON
SRP00093	*	1	STRAP;CAPACITOR
THT03236	*	1	THERMOSTAT; HIGH TEMP
WIR08044	*	1	WIRE; PLUG, COMPRESSOR HARNESS, 73 IN LENGTH
WIR10568	*	1	WIRE; HARNESS-CONTROL PANEL
CPT00977	1	1	CAPACITOR; DUAL, 35/5 MFD, 440V, ROUND, W/O RESISTOR
SHD00386	2	1	SHIELD; MOISTURE, 12.75 X 5.00
SHD00387	3	1	SHIELD; MOISTURE, 10.25 X 4.00
CTR00845	4	1	CONTACTOR; 30 AMP, 240/480/600V, 24V COIL, 1 POLE
PNL25790	5	1	PANEL, CONTROL PANEL BASE, 39.14 HEIGHT

Part No.	Reference No.	Quantity	Description
0000037128~P	*		FAN PARTS LIST

Part No.	Reference No.	Quantity	Description
SCR02086	1	4	SCREW; 10-32 TR-3 HXW 3/8 S
FAN04231	2	1	FAN, 2 SWEPT BLADE, 27.5" DIA, 17 DEGREES PITCH, .50" BORE, CCW, ALUMINUM, 1 SET SCREW-STEEL, SPIDER .075 THK
GRD01416	3	1	GUARD, TROUGH-LEAD

Part No.	Reference No.	Quantity	Description
0000036990~P	*		REFRIGERANT PARTS LIST

Part No.	Reference No.	Quantity	Description
SCR02010	1	3	SCREW; 12-18 AB HXW 1/2 SN
BRK03020	2	1	BRACKET; VALVE
CAP01336	3	1	CAP; SERVICE LIQUID VALVE, BRASS, 0.75 OD X 0.57 ID X 11/16-28UN-2B
SCR02054	4	3	SCREW; 12-18 AB HXW 1/2 SN
SWT04578	5	1	SWITCH; HIGH PRESSURE BZ
TIE00007	6	0	TIE;CABLE
SLV00082	7	0	SLEEVE;
SWT03362	8	1	SWITCH; LOW PRESSURE, OPEN @ 50 PSIG CLOSE @ 70 PSIG
TUB11547	9	12	TUBE; TRANSITION ASSEMBLY
TUB02810	10	12	TUBE; TRANSITION
SLV00083	11	0	SLEEVE;
PLU00413	12	0	PLUG; TUBE
CAP01337	13	1	CAP; SERVICE SUCTION VALVE
TER00312	14	0	TERMINAL; 8IN. TIE CABLE
COL28477	15	0	COIL; SPINE FIN-5 SIDED
PAI00246	16	0	PAINT; SPRAY, TARPAULIN GRAY (SHIPPING UOM 12 OZ HAZ)
TIE00023	17	2	TIE;CABLE, 8.00IN.
CAP00156	18	0	CAP, TUBE PLUG, .447-.513 OD