

SPLIT SYSTEM COOLING

75011195

REV.
A



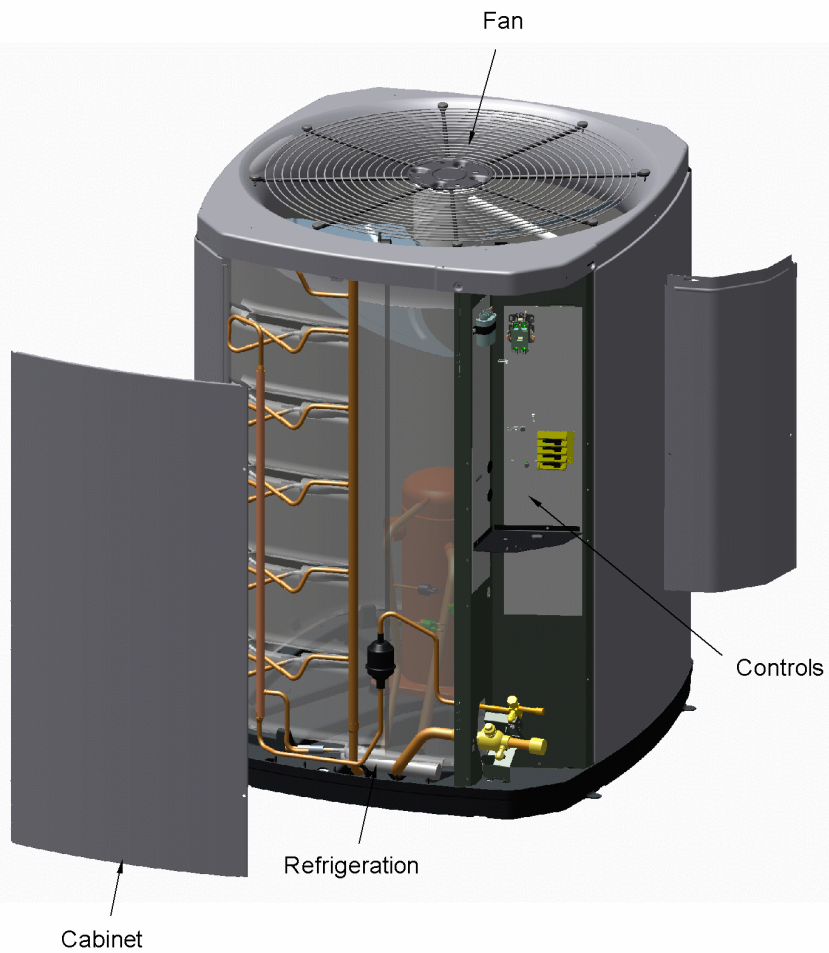
This is a typical illustration. The unit in the field may not appear exactly as shown.

Part No.	Reference No.	Quantity	Description
75010774#4TTR6UP4~S	*		CABINTRY
75010930#4TTR6UP4~S	*		CONTROLS
75010673#4TTR6UP4~S	*		FAN
75005586#4TTR6UP4~S	*		MODEL NUMBER DESCRIPTION
OPTIONS#4TTR6UP4~S	*		OPTIONAL ACCESSORIES
75011187#4TTR6UP4~S	*		REFRIGERATION
75011195_4TTR6UP4_184799~P	*		SPLIT SYSTEM COOLING PARTS LIST

SPLIT SYSTEM COOLING

75011195

REV.
A

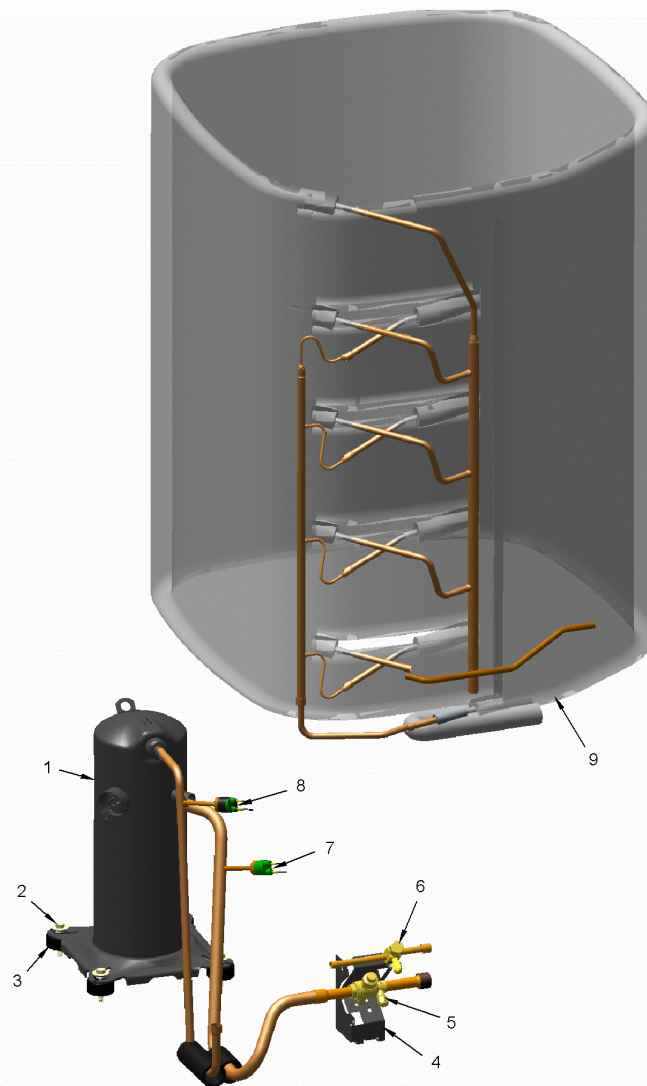


This is a typical illustration. The unit in the field may not appear exactly as shown.

REFRIGERATION

75011187

REV.
A



This is a typical illustration. The unit in the field may not appear exactly as shown.

Parts List Number :75011195#4TTR6UP4

Model Number :4TTR6024J1000AA

Part No.	Reference No.	Quantity	Description
75011187_4TTR6UP4_317524~P	*		REFRIGERATION PARTS LIST

REFRIGERATION

75011187

REV.
A



This is a typical illustration. The unit in the field may not appear exactly as shown.

Part No.	Reference No.	Quantity	Description
DHY01457	*	1	DRIER; LIQUID LINE; SERVICE FIRST; 5 CU. IN.; 5.4 TON CAPACITY; 3/8" ODF INLET X 3/8" ODF OUTLET; APPROVED FOR MINERAL OIL AND POE OIL REFRIGERANTS
PLU01186	*	1	PLUG; SCROLL COMPRESSOR
SPC00386	*	1	SPACER; BASE, 5.50 X 1.00 X 0.50
SPC00512	*	3	SPACER; TUBING
SPC00513	*	3	SPACER; COIL
COM11524	1	1	COMPRESSOR; SCROLL, ALLIANCE, SBA020C1CPZ, 1.75 TON, 20,000 BTUH, 208/230-60-1, R410-A, BRAZED, SUCTION 3/4, DISCHARGE 1/2, RLA 12.1
SCR01914	2	4	SCREW, ASSEMBLY COMPRESSOR, 5/16-12 TYPE B, W/WASHER & SLEEVE
ISR00007	3	4	ISOLATOR; VIBRATION
BRK03696	4	1	BRACKET; VALVE
VAL09296	5	1	VALVE; SERVICE GAS ASSEMBLY, .75 ODS X .75 ODS, FEMALE BRAZE TO FEMALE BRAZE, LEFT HAND MOUNTING HOLES - D155662P02
VAL09293	6	1	VALVE, SERVICE LIQUID, .38 OD X .38 OD, VALVE ASSY
SWT03654	7	1	SWITCH; LOW PRESSURE, OPEN @ 50 PSIG, CLOSE @ 70 PSIG
SWT03273	8	1	SWITCH, HIGH PRESSURE, SPST, OPEN @ 650 PSIG, CLOSE @ 500 PSIG, 88" YELLOW LEAD
COL25744	9	1	COIL; SPINE FIN, 27.54W X 27.00H

FAN

75010673

REV
A

TYPICAL ILLUSTRATION



Parts List Number :75011195#4TTR6UP4

Model Number :4TTR6024J1000AA

Part No.	Reference No.	Quantity	Description
75010673_4TTR6UP4_250103~P	*		FAN PARTS LIST

FAN

75010673

REV
A

TYPICAL ILLUSTRATION



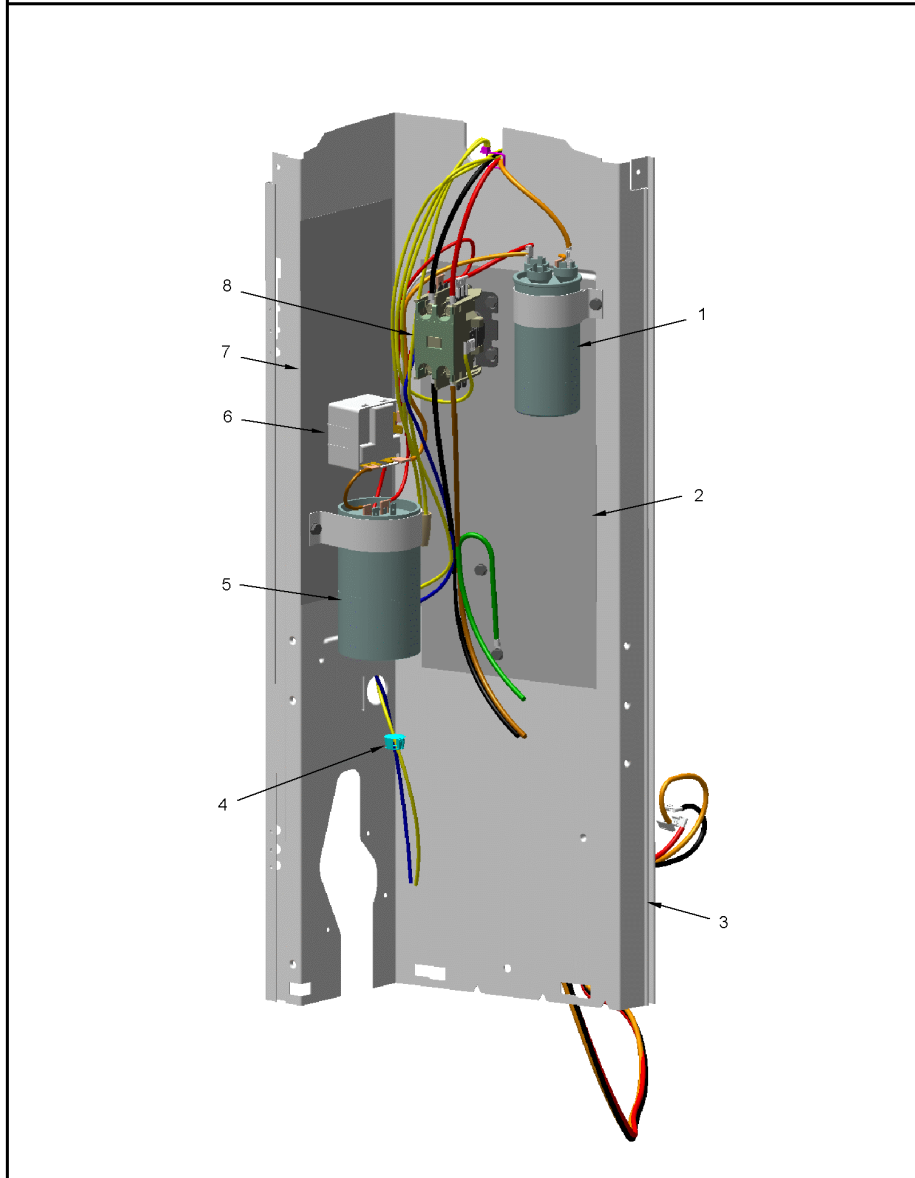
Part No.	Reference No.	Quantity	Description
COV03250	*	1	COVER; MOTOR, 6.86 DIA
FAN03657	1	1	FAN, 2 SWEPT BLADE, 23" DIA, 24.5 DEGREES PITCH, .50" BORE, CCW, ALUMINUM, 1 SET SCREW-STEEL, SPIDER .075 THK, FINISH/PAINT
MOT16968	2	1	MOTOR; 1/8 HP
GRL01347	3	1	GRILLE; FAN, 25.51 MOUNTING DIA
SCR02086	4	4	SCREW; 10-32 TR-3 HXW 3/8 S
GRD01415	5	1	GUARD, TROUGH-LEAD

CONTROLS

75010930

REV.
A

TYPICAL ILLUSTRATION



Parts List Number :75011195#4TTR6UP4

Model Number :4TTR6024J1000AA

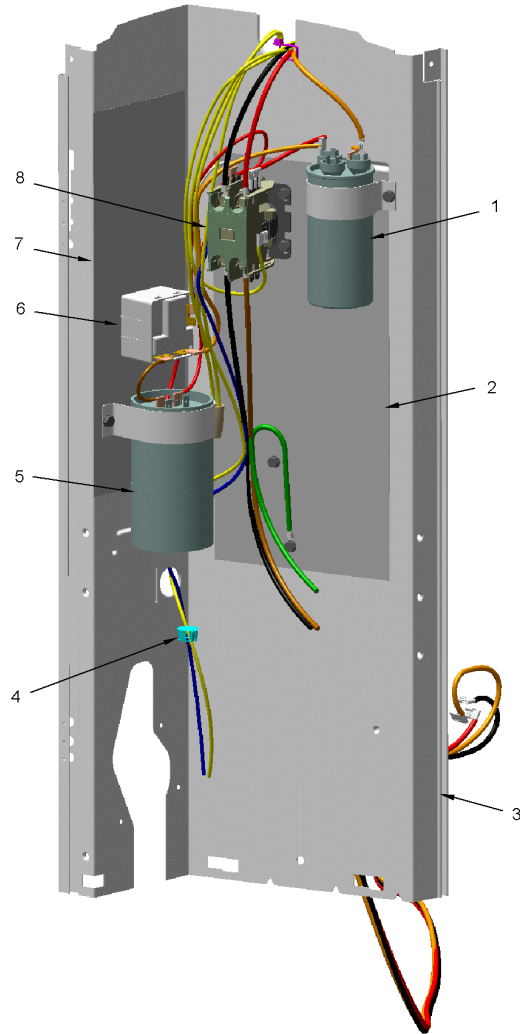
Part No.	Reference No.	Quantity	Description
75010930_4TTR6UP4_342098~P	*		CONTROLS PARTS LIST

CONTROLS

75010930

REV.
A

TYPICAL ILLUSTRATION



Part No.	Reference No.	Quantity	Description
CON00241	*	1	CONNECTOR; WIRE
PAI00248	*	1	PAINT; 12 OZ SPRAY, ANTHRACITE GRAY (SHIPPING UOM 12 OZ HAZ)
CPT00977	1	1	CAPACITOR; DUAL, 35/5 MFD, 440V, ROUND, W/O RESISTOR
SHD00386	2	1	SHIELD; MOISTURE, 12.75 X 5.00
PNL21731	3	1	PANEL, CONTROL PANEL, 27.14 HEIGHT
PLU00984	4	1	PLUG; LOCKING HOLE
CPT02326	5	1	CAPACITOR; START, 112 MFD, 330V, ROUND, W/ RESISTOR
SRP00093	5	1	STRAP;CAPACITOR
RLY03339	6	1	RELAY, START, SPST, 50 A COIL
SHD00387	7	1	SHIELD; MOISTURE, 10.25 X 4.00
CTR00845	8	1	CONTACTOR; 30 AMP, 240/480/600V, 24V COIL, 1 POLE

CABINET

75010774

REV.
A

TYPICAL ILLUSTRATION



Parts List Number :75011195#4TTR6UP4

Model Number :4TTR6024J1000AA

Part No.	Reference No.	Quantity	Description
75010774_4TTR6UP4_271893~P	*		CABINETY PARTS LIST

CABINET

75010774

REV.
A

TYPICAL ILLUSTRATION



Parts List Number :75011195#4TTR6UP4

Model Number :4TTR6024J1000AA

Part No.	Reference No.	Quantity	Description
PAI00246	*	1	PAINT; SPRAY, TARPAULIN GRAY (SHIPPING UOM 12 OZ HAZ)
SCR02010	*	15	SCREW; 12-18 AB HXW 1/2 SN
COV03358	1	1	COVER; TOP, 32.36 X 29.40
PNL14724	2	1	PANEL; WRAPPER, 25.33 X 19.55
PNL14723	3	1	PANEL; CORNER POST, 25.33 X 3.570
PNL14724	4	1	PANEL; WRAPPER, 25.33 X 19.55
COV03224	5	1	COVER, CONTROL, 11.32 X 18.11
BAS01833	6	1	BASE; 36.26 X 36.41 DIAGONALLY
COV03228	7	1	COVER, CONTROL BOTTOM
PNL23809	8	1	PANEL; ACCESS, 15.69 X 24.65
PNL14723	9	1	PANEL; CORNER POST, 25.33 X 3.570
PNL23808	10	1	PANEL; WRAPPER, 23.14 X 25.33
PNL14723	11	1	PANEL; CORNER POST, 25.33 X 3.570

MODEL NUMBER DESCRIPTION
OUTDOOR UNITS

75005586

REV
E

Example Model Number:

4 TWV 0 0 3 6 A 1 0 0 0 AA
1 - - - - 5 - - - - 10 - - - - 15

Digit 1 – Refrigerant Type

- 2 = R-22
- 4 = R-410A

Digit 2 – Trane

Digit 3 – Product Type

- W = Split Heat Pump
- T = Split Cooling

Digit 4 – Product Family

- V = Variable Speed
- Z = Leadership - Two Stage
- X = Leadership
- R = Replacement/Retail
- M or B = Basic
- A = Light Commercial
- L = Side Discharge
- S = Side Discharge 3 Phase

Digit 5 – Family SEER

- 3 = 13 7 = 17
- 4 = 14 8 = 18
- 5 = 15 9 = 19
- 6 = 16 0 = 20

Digits 6 – Split System Connections 1-6 Tons

- 0 = Brazed

Digits 7,8 – Nominal Capacity in 000s BTUs

Digit 9 – Major Design Modifications

Digit 10 – Power Supply

- 1 = 200-230/1/60 or 208-230/1/60
- 3 = 200-230/3/60
- 4 = 460/3/60
- 5 = 400/3/60
- A = 220-240/1/50
- D = 380-415/3/50

Digit 11,12,13 – Secondary Function

Digit 14 – Minor Design Modifications

Digit 15 – Unit Parts Identifier

Part No.	Reference No.	Quantity	Description
75005586_4TTR6UP4_184800~P	*		MODEL NUMBER DESCRIPTION PARTS LIST

MODEL NUMBER DESCRIPTION

75005586

REV
D

OUTDOOR UNITS

Example Model Number:

4 TWV 00 3 6 A 1 0 0 0 A A
1 - - - 5 - - - 10 - - - 15

Digit 1 – Refrigerant Type

2 = R-22
4 = R-410A

Digit 2 – Trane

Digit 3 – Product Type

W = Split Heat Pump
T = Split Cooling

Digit 4 – Product Family

V = Variable Speed
Z = Leadership - Two Stage
X = Leadership
R = Replacement/Retail
M or B = Basic
A = Light Commercial
L = Side Discharge

Digit 5 – Family SEER

3 = 13 7 = 17
4 = 14 9 = 19
5 = 15 9 = 19
6 = 16 0 = 20

Digits 6 – Split System Connections 1-6 Tons

0 = Brazed

Digits 7,8 – Nominal Capacity in 000s BTUs

Digit 9 – Major Design Modifications

Digit 10 – Power Supply

1 = 200-230/1/60 or 208-230/1/60
3 = 200-230/3/60
4 = 460/3/60

Digit 11,12,13 – Secondary Function

Digit 14 – Minor Design Modifications

Digit 15 – Unit Parts Identifier

OPTIONAL ACCESSORIES

Parts List Number :75011195#4TTR6UP4

Model Number :4TTR6024J1000AA

Part No.	Reference No.	Quantity	Description
OPTIONS_4TTR6UP4_271895~P	*		OPTIONAL ACCESSORIES PARTS LIST

Part No.	Reference No.	Quantity	Description
KIT05354	*	1	KIT; TIME DELAY (TAYASCT501A) - 5 MINUTE RELAY ONLY IS RLY01343
KIT06322	*	1	KIT; LOW TEMP COOLING (AY28X079)
KIT07731	*	1	KIT; SNOW LEGS, CONTAINS (4) 6" MOUNTING LEGS (BAYLEGS002)
KIT07732	*	1	KIT; SNOW LEGS, (4" EXTENSION KIT) (BAYLEGS003)
KIT08036	*	1	KIT; SEA COAST (BAYSEAC001)
KIT08087	*	1	KIT; HEAD PRESSURE (BAYLOAM103)
KIT08412	*	1	KIT; SOUND ENCLOSURE, (BAYSDEN003), (MODELS WITH SMALL FRAME (QUANTUM) SCROLL COMPRESSORS NO LARGER THAN 16.4" TALL OR 6.6" IN DIAMETER EXCEPT IN CABINET HEIGHTS 25.0" OR SHORTER)
KIT09425	*	1	KIT; ISOLATOR (BAYISLT101) (CONTAINS A QTY OF 5 ISOLATORS)
KIT15282	*	1	KIT; EXTREME MOUNTING CONDITION (BAYECMT023)
KIT17747	*	1	KIT; CRANKCASE HEATER FOR SCROLLS, 40W, 230V (BAYCCHT302RES), 5.5 DIA, 74 IN LENGTH
PAI00309	*	1	PAINT; DARK BROWN, 12 OZ SPRAY CAN, HERESITE AIR DRY PHENOLIC COATING, VR-554T
TAYSVPANL0032A	*	1	PANEL; SERVICE VALVE PANEL COVER KIT (TAYSVPANL0032A)