

Part No.	Reference No.	Quantity	Description
0000170010~S	*		CABINET
0000170009~S	*		COMPRESSOR
0000170008~S	*		CONTROLS
0000170007~S	*		FAN
0000170005~S	*		MODEL NUMBER DESCRIPTION
0000170006~S	*		REFIGERATION

Part No.	Reference No.	Quantity	Description
0000030391~P	*		CABINETRY PARTS LIST

Part No.	Reference No.	Quantity	Description
BAS01833	*	1	BASE; 36.26 X 36.41 DIAGONALLY
PAI00246	*	0	PAINT; SPRAY, TARPAULIN GRAY (SHIPPING UOM 12 OZ HAZ)
SCR02010	*	15	SCREW; 12-18 AB HXW 1/2 SN
SCR02054	*	15	SCREW; 12-18 AB HXW 1/2 SN
COV03358	2	1	COVER; TOP, 32.36 X 29.40
PNL14724	3	2	PANEL; WRAPPER, 25.33 X 19.55
PNL14723	4	1	PANEL; CORNER POST, 25.33 X 3.570
PNL14724	5	1	PANEL; WRAPPER, 25.33 X 19.55
COV03224	6	1	COVER, CONTROL, 11.32 X 18.11
COV03228	7	1	COVER, CONTROL BOTTOM
PNL23809	8	1	PANEL; ACCESS, 15.69 X 24.65
PNL14723	9	1	PANEL; CORNER POST, 25.33 X 3.570
PNL23808	10	1	PANEL; WRAPPER, 23.14 X 25.33
PNL14723	11	1	PANEL; CORNER POST, 25.33 X 3.570

COMPRESSOR

Parts List Number :0000169984

Model Number :4TTR6018J1000AC

Part No.	Reference No.	Quantity	Description
0000039265~P	*		SCROLL COMPRESSOR

Part No.	Reference No.	Quantity	Description
COM13535		1	COMPRESSOR; SCROLL, SBA014C1CAA

CONTROLS

Parts List Number :0000169984

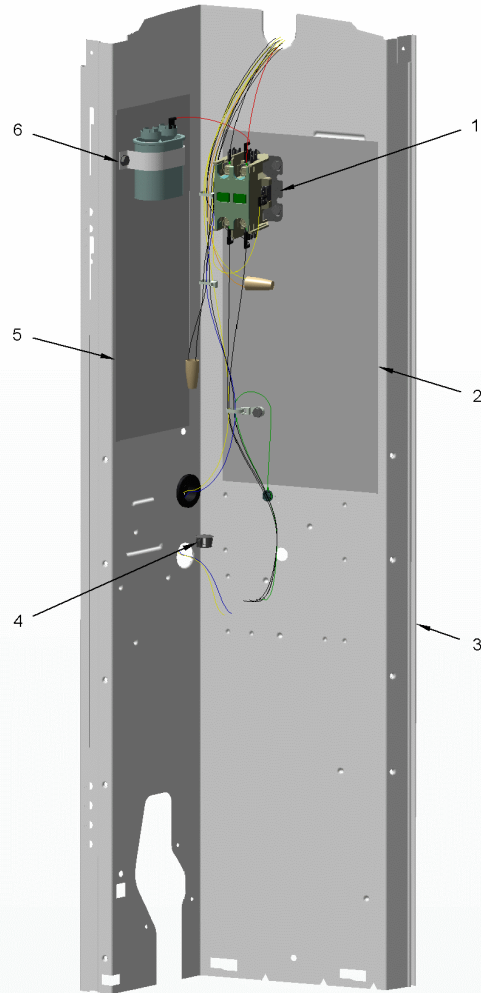
Model Number :4TTR6018J1000AC

Part No.	Reference No.	Quantity	Description
0000037130~P	*		CONTROLS-COOLING PARTS LIST

CONTROLS

75011628

REV.
A



This is a typical illustration. The unit in the field may not appear exactly as shown.

Part No.	Reference No.	Quantity	Description
CON00241	*	1	CONNECTOR; WIRE
PAI00246	*	0	PAINT; SPRAY, TARPAULIN GRAY (SHIPPING UOM 12 OZ HAZ)
PLU01186	*	1	PLUG; SCROLL COMPRESSOR
SCR01918	*	7	SCREW, 10-24 THREAD ROLL, INDENT HEX WASHER HD
TER00312	*	3	TERMINAL; 8IN. TIE CABLE
TIE00007	*	3	TIE;CABLE
CTR00845	1	1	CONTACTOR; 30 AMP, 240/480/600V, 24V COIL, 1 POLE
SHD00387	2	1	SHIELD; MOISTURE, 10.25 X 4.00
PNL21731	3	1	PANEL, CONTROL PANEL, 27.14 HEIGHT
PLU00984	4	1	PLUG; LOCKING HOLE
CPT00977	6	1	CAPACITOR; DUAL, 35/5 MFD, 440V, ROUND, W/O RESISTOR
SRP00269	6a	1	STRAP; CAPACITOR

Part No.	Reference No.	Quantity	Description
0000030331~P	*		FAN PARTS LIST

FAN

75010673

REV
A

TYPICAL ILLUSTRATION

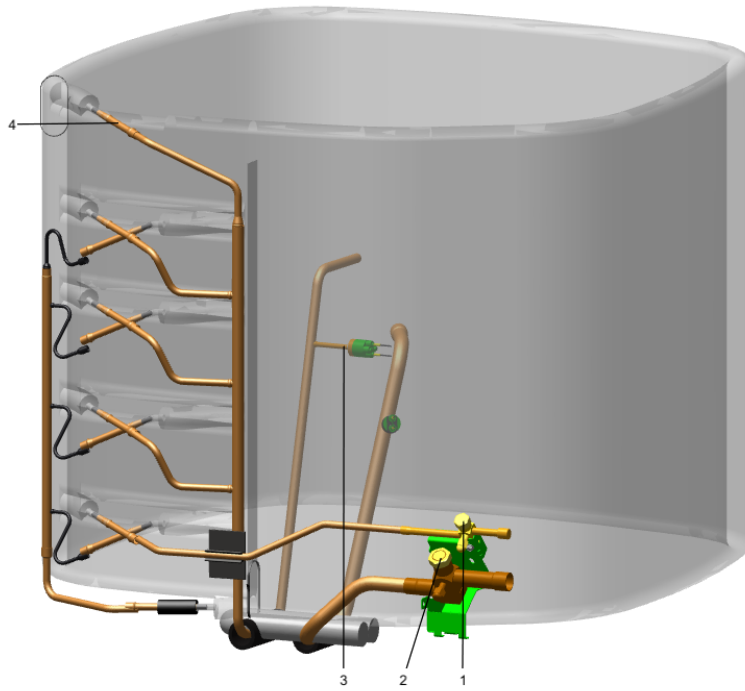


Part No.	Reference No.	Quantity	Description
FAN03657	1	1	FAN, 2 SWEPT BLADE, 23" DIA, 24.5 DEGREES PITCH, .50" BORE, CCW, ALUMINUM, 1 SET SCREW-STEEL, SPIDER .075 THK, FINISH/PAINT
MOT16968	2	1	MOTOR; 1/8 HP
GRD01415	3	1	GUARD, TROUGH-LEAD
SCR02086	4	4	SCREW; 10-32 TR-3 HXW 3/8 S

Part No.	Reference No.	Quantity	Description
0000036907~P	*		MODEL NUMBER DESCRIPTION PARTS LIST

MODEL NUMBER DESCRIPTION	75005586	REV D
OUTDOOR UNITS		
<i>Example Model Number:</i> 4 TWV 00 3 6 A 1 0 0 0 A A <small>1 - - - 5 - - - 10 - - - 15</small>		
Digit 1 – Refrigerant Type		
2 = R-22 4 = R-410A		
Digit 2 – Trane		
Digit 3 – Product Type		
W = Split Heat Pump T = Split Cooling		
Digit 4 – Product Family		
V = Variable Speed Z = Leadership - Two Stage X = Leadership R = Replacement/Retail M or B = Basic A = Light Commercial L = Side Discharge		
Digit 5 – Family SEER		
3 = 13 7 = 17 4 = 14 9 = 19 5 = 15 9 = 19 6 = 16 0 = 20		
Digits 6 – Split System Connections 1-6 Tons		
0 = Brazed		
Digits 7,8 – Nominal Capacity in 000s BTUs		
Digit 9 – Major Design Modifications		
Digit 10 – Power Supply		
1 = 200-230/1/60 or 208-230/1/60 3 = 200-230/3/60 4 = 460/3/60		
Digit 11,12,13 – Secondary Function		
Digit 14 – Minor Design Modifications		
Digit 15 – Unit Parts Identifier		
1 of 1		

Part No.	Reference No.	Quantity	Description
0000036991~P	*		REFRIGERANT PARTS LIST



Part No.	Reference No.	Quantity	Description
BRK03696		1	BRACKET; VALVE
CAP00156		0	CAP, TUBE PLUG, .447-.513 OD
COL25744		1	COIL; SPINE FIN, 27.54W X 27.00H
DHY01619		1	DRIER; EXTERNAL
PAI00246		0	PAINT; SPRAY, TARPAULIN GRAY (SHIPPING UOM 12 OZ HAZ)
PLU00413		0	PLUG; TUBE
SCR02010		4	SCREW; 12-18 AB HXW 1/2 SN
SCR02054		4	SCREW; 12-18 AB HXW 1/2 SN
SLV00082		0	SLEEVE;
SLV00083		0	SLEEVE;
SWT04681		1	SWITCH; LOW PRESSURE BZ
TER00312		0	TERMINAL; 8IN. TIE CABLE
TIE00007		0	TIE;CABLE
TIE00023		2	TIE;CABLE, 8.00IN.
VAL20399		1	VALVE; SERVICE GAS ASSEMBLY, 0.75 ODS X 0.75 ODS, FEMALE BRAZE TO FEMALE BRAZE, LEFT HAND MOUNTING HOLES
VAL20722		1	VALVE-SER LIQ O(06-06), A.8
CAP01336	1	1	CAP; SERVICE LIQUID VALVE, BRASS, 0.75 OD X 0.57 ID X 11/16-28UN-2B
CAP01315	2	1	CAP; SERVICE LIQUID VALVE, BRASS, 1.06 OD X 0.81 ID X 15/16-20UNEF-2B
SWT03273	3	1	SWITCH, HIGH PRESSURE, SPST, OPEN @ 650 PSIG, CLOSE @ 500 PSIG, 88" YELLOW LEAD
TUB02810	4	8	TUBE; TRANSITION
TUB11547	4a	8	TUBE; TRANSITION ASSEMBLY