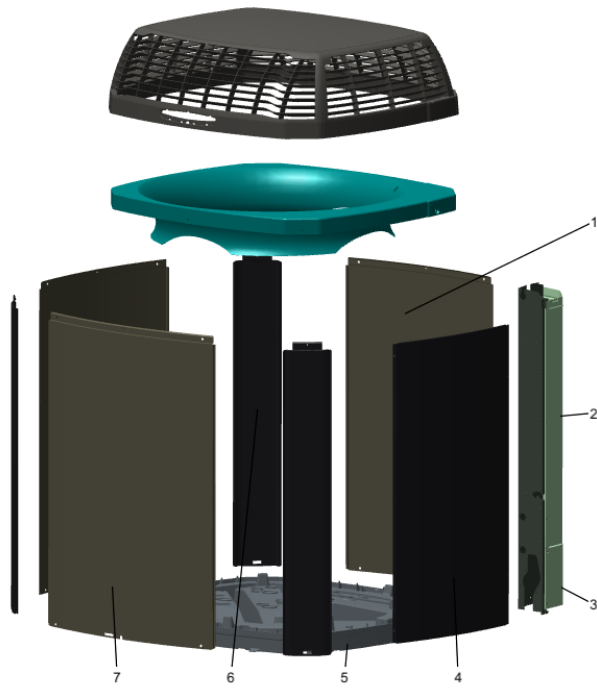


Part No.	Reference No.	Quantity	Description
0000170010~S	*		CABINET
0000170009~S	*		COMPRESSOR
0000170008~S	*		CONTROLS
0000170007~S	*		FAN
0000170005~S	*		MODEL NUMBER DESCRIPTION
0000170006~S	*		REFIGERATION

Part No.	Reference No.	Quantity	Description
0000029220~P	*		CABINET



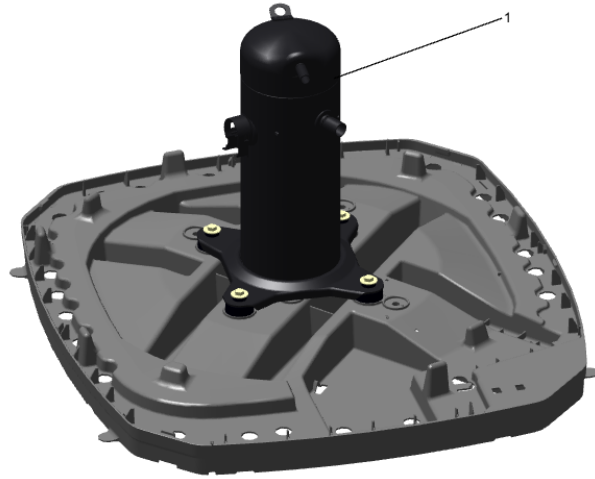
Part No.	Reference No.	Quantity	Description
COV03358	*	1	COVER; TOP, 32.36 X 29.40
PAI00246	*	0	PAINT; SPRAY, TARPAULIN GRAY (SHIPPING UOM 12 OZ HAZ)
SCR02010	*	17	SCREW; 12-18 AB HXW 1/2 SN
SCR02054	*	17	SCREW; 12-18 AB HXW 1/2 SN
PNL13012	1	2	PANEL, WRAPPER, 19.55 X 33.33
COV03224	2	1	COVER, CONTROL, 11.32 X 18.11
COV03228	3	1	COVER, CONTROL BOTTOM
PNL13015	4	1	PANEL, ACCESS, 15.72 X 32.65
BAS01833	5	1	BASE; 36.26 X 36.41 DIAGONALLY
PNL13005	6	3	PANEL; CORNER POST, 3.570 X 33.33
PNL13008	7	1	PANEL, WRAPPER, 23.22 X 33.33

COMPRESSOR

Parts List Number :0000169984

Model Number :4TTR5030N1000AA

Part No.	Reference No.	Quantity	Description
0000038729~P	*		SCROLL COMPRESSOR



Part No.	Reference No.	Quantity	Description
COM11525	1	1	COMPRESSOR; SCROLL, ALLIANCE, SBA024C1CPZ, 2.0 TON, 24,000 BTUH, 208/230-60-1, R410-A, BRAZED, SUCTION 3/4, DISCHARGE 1/2, RLA 14.3

Parts List Number :0000169984

Model Number :4TTR5030N1000AA

Part No.	Reference No.	Quantity	Description
0000037132~P	*		CONTROLS-COOLING PARTS LIST

Part No.	Reference No.	Quantity	Description
SRP00269	1	1	STRAP; CAPACITOR
CPT01844	2	1	CAPACITOR, RUN, 40/5 MFD, 370V, ROUND, W/O RESISTOR
WIR03324	3	1	WIRE, PLUG-SCROLL COMPRESSOR
PLU00984	4	1	PLUG; LOCKING HOLE
TIE00007	5	1	TIE;CABLE
TER00312	6	1	TERMINAL; 8IN. TIE CABLE
PAI00246	7	0	PAINT; SPRAY, TARPAULIN GRAY (SHIPPING UOM 12 OZ HAZ)
PNL13028	8	1	PANEL, CONTROL PANEL BASE, 35.14 HEIGHT
SHD00387	9	1	SHIELD; MOISTURE, 10.25 X 4.00
CTR00845	10	1	CONTACTOR; 30 AMP, 240/480/600V, 24V COIL, 1 POLE
CON00241	11	1	CONNECTOR; WIRE
SCR01918	12	5	SCREW, 10-24 THREAD ROLL, INDENT HEX WASHER HD

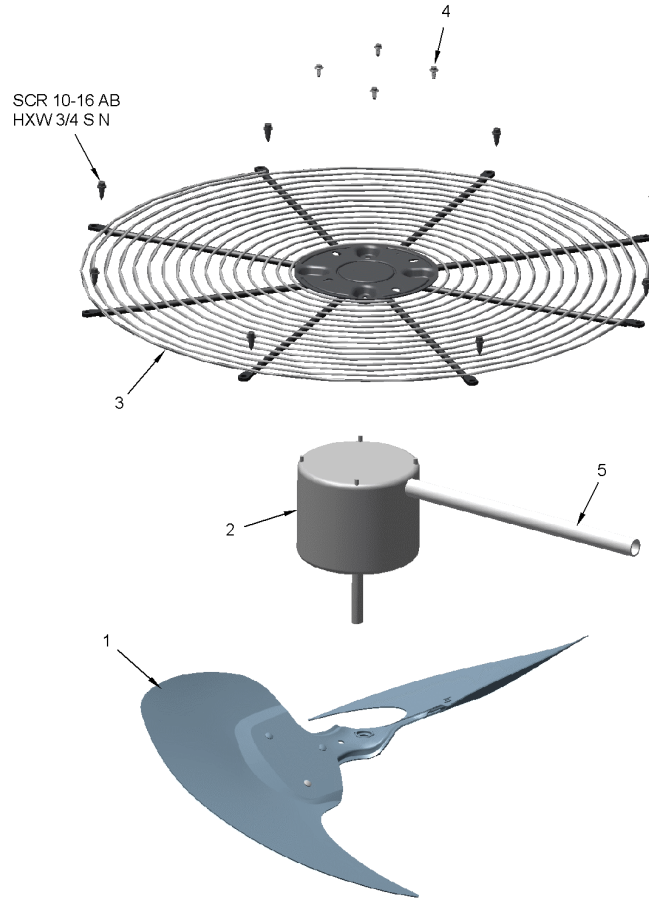
Part No.	Reference No.	Quantity	Description
0000032941~P	*		FAN PARTS LIST
0000037027~P	*		FAN PARTS LIST

FAN

75010673

REV
A

TYPICAL ILLUSTRATION



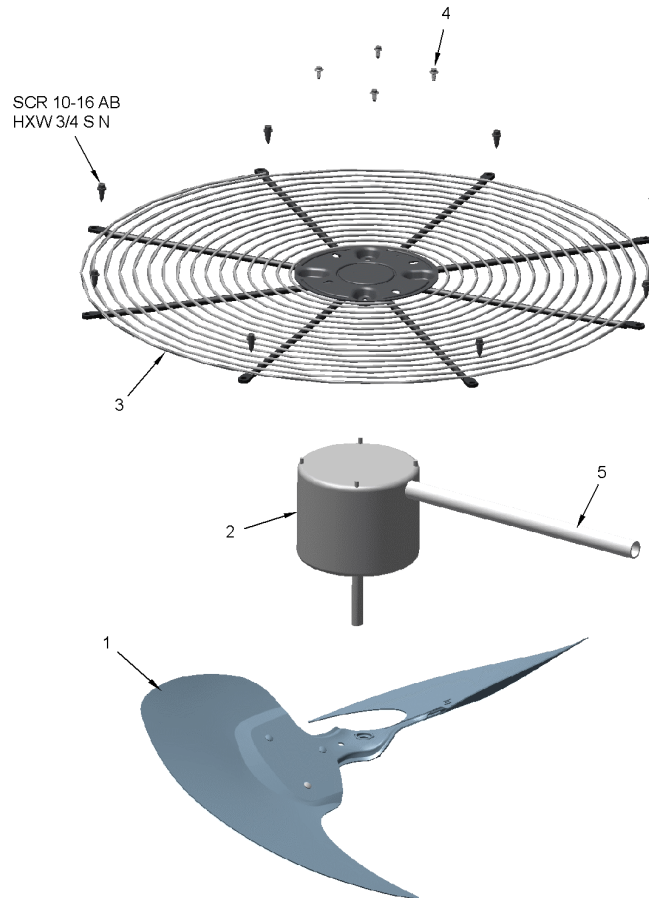
Part No.	Reference No.	Quantity	Description
FAN05525	1	1	FAN; 2 SWEPT BLADES, 27.50 IN DIA, 27 DEG PITCH, 0.50 IN BORE, CCW, ALUMINUM, 1 SET SCREW-STEEL, SPIDER 0.050 THK
MOT17917	2	1	MOTOR; 1/5 HP, 200/230/60/1, 825 RPM, 48 FRAME, PSC, BALL BEARING, CCW
SCR02086	4	4	SCREW; 10-32 TR-3 HXW 3/8 S
GRD01416	5	1	GUARD, TROUGH-LEAD

FAN

75010673

REV
A

TYPICAL ILLUSTRATION



Part No.	Reference No.	Quantity	Description
FAN06683	1	1	FAN; TR3R28-2
MOT17918	2	1	MOTOR; 1/8 HP, 200/230/60/1, 825 RPM, 48 FRAME, PSC, SLEEVE BEARING, CCW
SCR02086	4	4	SCREW; 10-32 TR-3 HXW 3/8 S
GRD01415	5	1	GUARD, TROUGH-LEAD

Part No.	Reference No.	Quantity	Description
0000036907~P	*		MODEL NUMBER DESCRIPTION PARTS LIST

MODEL NUMBER DESCRIPTION

75005586

REV
D

OUTDOOR UNITS

Example Model Number:

4 TWV 00 3 6 A 1 0 0 0 A A
1 - - - 5 - - - 10 - - - 15

Digit 1 – Refrigerant Type

2 = R-22
4 = R-410A

Digit 2 – Trane

Digit 3 – Product Type

W = Split Heat Pump
T = Split Cooling

Digit 4 – Product Family

V = Variable Speed
Z = Leadership - Two Stage
X = Leadership
R = Replacement/Retail
M or B = Basic
A = Light Commercial
L = Side Discharge

Digit 5 – Family SEER

3 = 13 7 = 17
4 = 14 9 = 19
5 = 15 9 = 19
6 = 16 0 = 20

Digits 6 – Split System Connections 1-6 Tons

0 = Brazed

Digits 7,8 – Nominal Capacity in 000s BTUs

Digit 9 – Major Design Modifications

Digit 10 – Power Supply

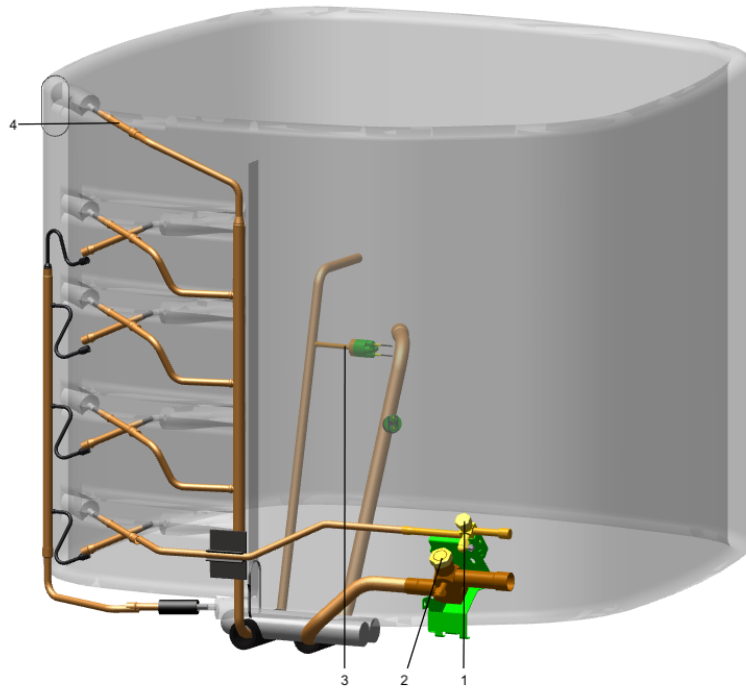
1 = 200-230/1/60 or 208-230/1/60
3 = 200-230/3/60
4 = 460/3/60

Digit 11,12,13 – Secondary Function

Digit 14 – Minor Design Modifications

Digit 15 – Unit Parts Identifier

Part No.	Reference No.	Quantity	Description
0000032135~P	*		REFRIGERANT SYSTEM



Part No.	Reference No.	Quantity	Description
BRK03696	*	1	BRACKET; VALVE
CAP00156	*	0	CAP, TUBE PLUG, .447-.513 OD
COL25745	*	1	COIL; SPINE FIN, 27.54W X 35.00H
COM11525	*	1	COMPRESSOR; SCROLL, ALLIANCE, SBA024C1CPZ, 2.0 TON, 24,000 BTUH, 208/230-60-1, R410-A, BRAZED, SUCTION 3/4, DISCHARGE 1/2, RLA 14.3
PAI00246	*	0	PAINT; SPRAY, TARPAULIN GRAY (SHIPPING UOM 12 OZ HAZ)
SCR02010	*	4	SCREW; 12-18 AB HXW 1/2 SN
SCR02054	*	4	SCREW; 12-18 AB HXW 1/2 SN
TUB02810	*	10	TUBE; TRANSITION
CAP01315	1	1	CAP; SERVICE LIQUID VALVE, BRASS, 1.06 OD X 0.81 ID X 15/16-20UNEF-2B
CAP01336	2	1	CAP; SERVICE LIQUID VALVE, BRASS, 0.75 OD X 0.57 ID X 11/16-28UN-2B
SWT03273	3	1	SWITCH, HIGH PRESSURE, SPST, OPEN @ 650 PSIG, CLOSE @ 500 PSIG, 88" YELLOW LEAD
TUB11547	4	10	TUBE; TRANSITION ASSEMBLY