

| Part No. | Reference No. | Quantity | Description |
|-----------------|----------------------|-----------------|--------------------|
| 0000156173~S | * | | CABINET |
| 0000168308~S | * | | COMPRESSOR |
| 0000156172~S | * | | CONTROLS |
| 0000156171~S | * | | FAN |
| 0000156169~S | * | | GENERAL ASSEMBLY |
| 0000156170~S | * | | REFRIGERATION |

| Part No. | Reference No. | Quantity | Description |
|--------------|---------------|----------|----------------------|
| 0000030389~P | * | | CABINETRY PARTS LIST |

CABINET

75010774

REV.
A

TYPICAL ILLUSTRATION



| Part No. | Reference No. | Quantity | Description |
|----------|---------------|----------|---|
| BAS01834 | * | 1 | BASE; 41.78 X 41.81 DIAGONALLY |
| PAI00246 | * | 0 | PAINT; SPRAY, TARPAULIN GRAY (SHIPPING UOM 12 OZ HAZ) |
| SCR02010 | * | 17 | SCREW; 12-18 AB HXW 1/2 SN |
| SCR02054 | * | 17 | SCREW; 12-18 AB HXW 1/2 SN |
| COV03396 | 1 | 1 | COVER; TOP |
| PNL25809 | 2 | 1 | PANEL; WRAPPER, 23 X 41 |
| PNL25807 | 3 | 1 | PANEL; CORNER POST, 3.57 X 41.33 |
| PNL25809 | 4 | 1 | PANEL; WRAPPER, 23 X 41 |
| COV03224 | 5 | 1 | COVER, CONTROL, 11.32 X 18.11 |
| COV03228 | 7 | 1 | COVER, CONTROL BOTTOM |
| PNL25810 | 8 | 1 | PANEL; ACCESS, 19.84 X 40.65 |
| PNL25807 | 9 | 1 | PANEL; CORNER POST, 3.57 X 41.33 |
| PNL25808 | 10 | 1 | PANEL; WRAPPER, 27 X 41.33 |
| PNL25807 | 11 | 1 | PANEL; CORNER POST, 3.57 X 41.33 |

| Part No. | Reference No. | Quantity | Description |
|--------------|---------------|----------|-----------------------|
| 0000037396~P | * | | COMPRESSOR PARTS LIST |

| Part No. | Reference No. | Quantity | Description |
|----------|---------------|----------|---|
| COM11528 | | 1 | COMPRESSOR; SCROLL, ALLIANCE, SBA040B1CPZ, 3.5 TON, 40,000 BTUH, 208/230-60-1, R410-A, BRAZED, SUCTION 7/8, DISCHARGE 1/2, RLA 20.6 |

CONTROLS

Parts List Number :0000156154

Model Number :4TTR4049N1000AA

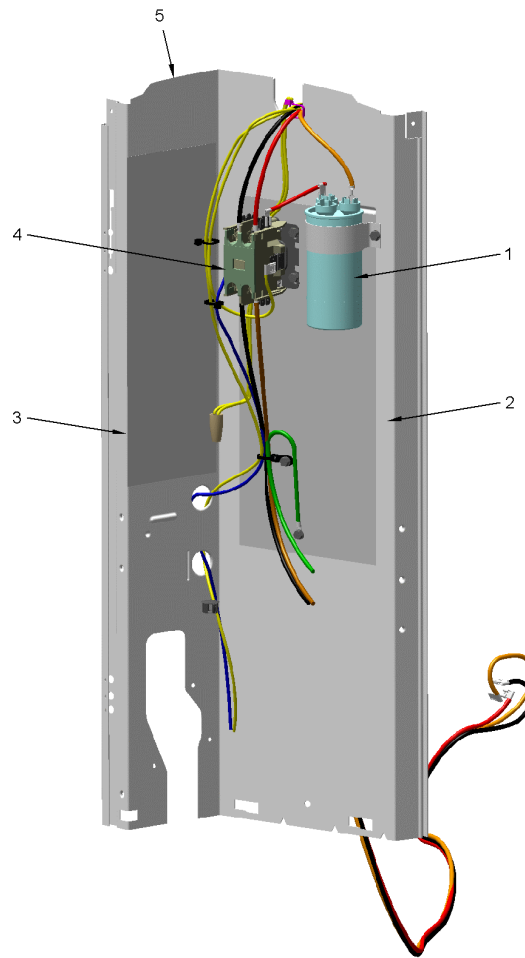
| Part No. | Reference No. | Quantity | Description |
|--------------|---------------|----------|------------------|
| 0000030354~P | * | | CONTROLS-COOLING |

CONTROLS

75010701

REV
A

TYPICAL ILLUSTRATION



| Part No. | Reference No. | Quantity | Description |
|----------|---------------|----------|---|
| CON00241 | * | 1 | CONNECTOR; WIRE |
| PAI00246 | * | 0 | PAINT; SPRAY, TARPAULIN GRAY (SHIPPING UOM 12 OZ HAZ) |
| PLU00984 | * | 1 | PLUG; LOCKING HOLE |
| SCR01918 | * | 5 | SCREW, 10-24 THREAD ROLL, INDENT HEX WASHER HD |
| SRP00269 | * | 1 | STRAP; CAPACITOR |
| TER00312 | * | 2 | TERMINAL; 8IN. TIE CABLE |
| TIE00007 | * | 2 | TIE;CABLE |
| WIR04816 | * | 1 | WIRE; PLUG-SCROLL COMPRESSOR |
| CPT01842 | 1 | 1 | CAPACITOR, RUN, 45/7.5 MFD, 370V, ROUND, W/O RESISTOR |
| SHD00386 | 2 | 1 | SHIELD; MOISTURE, 12.75 X 5.00 |
| SHD00387 | 3 | 1 | SHIELD; MOISTURE, 10.25 X 4.00 |
| CTR00845 | 4 | 1 | CONTACTOR; 30 AMP, 240/480/600V, 24V COIL, 1 POLE |
| PNL25790 | 5 | 1 | PANEL, CONTROL PANEL BASE, 39.14 HEIGHT |

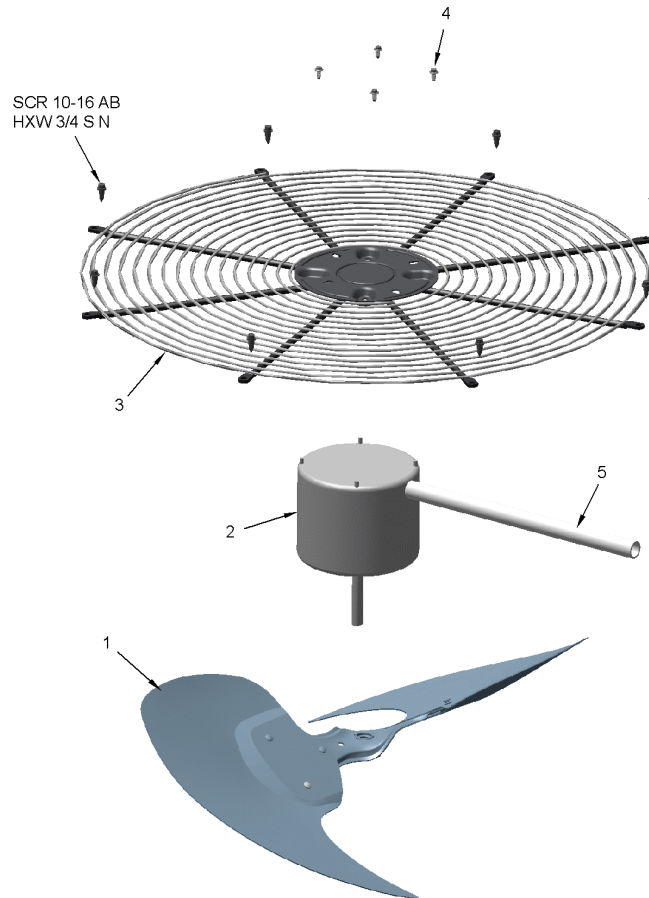
| Part No. | Reference No. | Quantity | Description |
|--------------|---------------|----------|----------------|
| 0000030330~P | * | | FAN PARTS LIST |

FAN

75010673

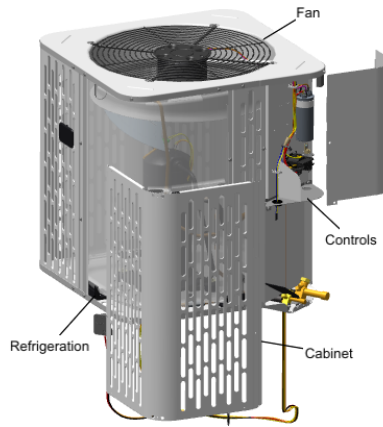
REV
A

TYPICAL ILLUSTRATION

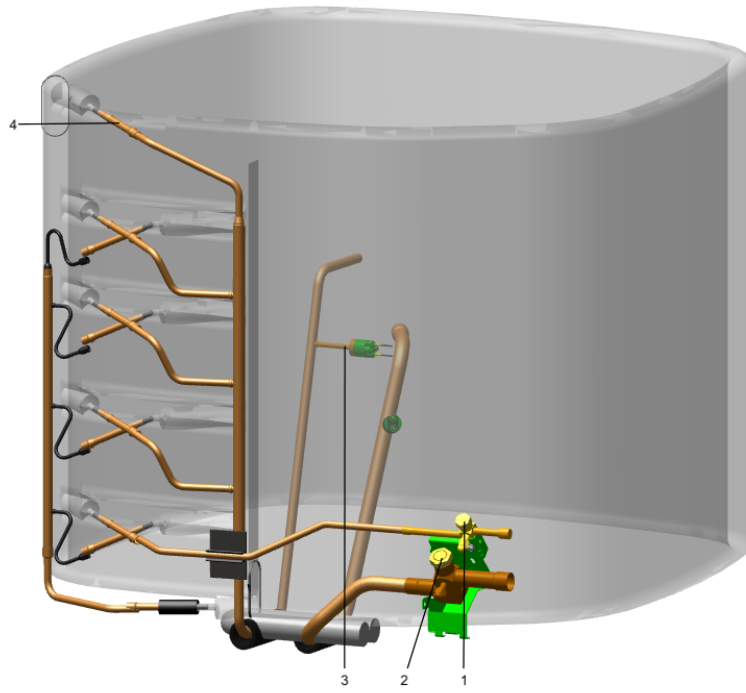


| Part No. | Reference No. | Quantity | Description |
|----------|---------------|----------|--|
| MOT13693 | * | 1 | MOTOR; 1/5 HP, 200/230/60/1, 825 RPM, 48 FRAME, PSC, BALL BEARING, CCW, 7.5 MFD CPT AT 370V |
| FAN04460 | 1 | 1 | FAN; 2 SWEPT BLADES, 27.5" DIA, 25.2 DEG PITCH, 0.50" BORE, CCW, ALUMINUM, 1 SET SCREW-STEEL, SPIDER 0.075 THK |
| SCR02086 | 4 | 4 | SCREW; 10-32 TR-3 HXW 3/8 S |
| GRD01416 | 5 | 1 | GUARD, TROUGH-LEAD |

| Part No. | Reference No. | Quantity | Description |
|--------------|---------------|----------|--------------------------|
| 0000004361~P | * | | GENERAL ASSEMBLY GRAPHIC |



| Part No. | Reference No. | Quantity | Description |
|--------------|---------------|----------|--------------------|
| 0000030279~P | * | | REFRIGERANT SYSTEM |



| Part No. | Reference No. | Quantity | Description |
|----------|---------------|----------|---|
| CAP00156 | * | 0 | CAP, TUBE PLUG, .447-.513 OD |
| COM11528 | * | 1 | COMPRESSOR; SCROLL, ALLIANCE, SBA040B1CPZ, 3.5 TON, 40,000 BTUH, 208/230-60-1, R410-A, BRAZED, SUCTION 7/8, DISCHARGE 1/2, RLA 20.6 |
| SCR02010 | * | 3 | SCREW; 12-18 AB HXW 1/2 SN |
| VAL20231 | * | 1 | VALVE; SER GAS 0 (14-14-14) |
| CAP01336 | 1 | 1 | CAP; SERVICE LIQUID VALVE, BRASS, 0.75 OD X 0.57 ID X 11/16-28UN-2B |
| CAP01412 | 2 | 1 | CAP; SERVICE VALVE, BRASS, 1.00 OD X 0.57 ID X M18 X 1-6H |
| SWT03273 | 3 | 1 | SWITCH, HIGH PRESSURE, SPST, OPEN @ 650 PSIG, CLOSE @ 500 PSIG, 88" YELLOW LEAD |
| TUB11547 | 4 | 10 | TUBE; TRANSITION ASSEMBLY |
| COL25746 | 5 | 1 | COIL; SPINE FIN, 32.14W X 42.00H |
| BRK03696 | 6 | 1 | BRACKET; VALVE |
| VAL09293 | 7 | 1 | VALVE, SERVICE LIQUID, .38 OD X .38 OD, VALVE ASSY |
| SWT04777 | 8 | 1 | SWITCH-LOW PRESSURE BZ |