

Part No.	Reference No.	Quantity	Description
0000156173~S	*		CABINET
0000168308~S	*		COMPRESSOR
0000156172~S	*		CONTROLS
0000156171~S	*		FAN
0000156169~S	*		GENERAL ASSEMBLY
0000156170~S	*		REFRIGERATION

Part No.	Reference No.	Quantity	Description
0000030396~P	*		CABINERY PARTS LIST

CABINET

75010774

REV.
A

TYPICAL ILLUSTRATION



Part No.	Reference No.	Quantity	Description
BAS01834	*	1	BASE; 41.78 X 41.81 DIAGONALLY
PAI00246	*	0	PAINT; SPRAY, TARPAULIN GRAY (SHIPPING UOM 12 OZ HAZ)
SCR02010	*	15	SCREW; 12-18 AB HXW 1/2 SN
SCR02054	*	15	SCREW; 12-18 AB HXW 1/2 SN
COV03396	1	1	COVER; TOP
PNL23808	2	1	PANEL; WRAPPER, 23.14 X 25.33
PNL14723	3	1	PANEL; CORNER POST, 25.33 X 3.570
PNL23808	4	1	PANEL; WRAPPER, 23.14 X 25.33
COV03224	5	1	COVER, CONTROL, 11.32 X 18.11
COV03228	7	1	COVER, CONTROL BOTTOM
PNL26768	8	1	PANEL, ACCESS, 19.84 X 24.6 INCHES
PNL14723	9	3	PANEL; CORNER POST, 25.33 X 3.570
PNL26769	10	1	PANEL; WRAPPER, 27 X 25.3 INCHES
PNL14723	11	1	PANEL; CORNER POST, 25.33 X 3.570

Part No.	Reference No.	Quantity	Description
0000037396~P	*		COMPRESSOR PARTS LIST

Part No.	Reference No.	Quantity	Description
COM11528		1	COMPRESSOR; SCROLL, ALLIANCE, SBA040B1CPZ, 3.5 TON, 40,000 BTUH, 208/230-60-1, R410-A, BRAZED, SUCTION 7/8, DISCHARGE 1/2, RLA 20.6

CONTROLS

Parts List Number :0000156154

Model Number :4TTR4048N1000AA

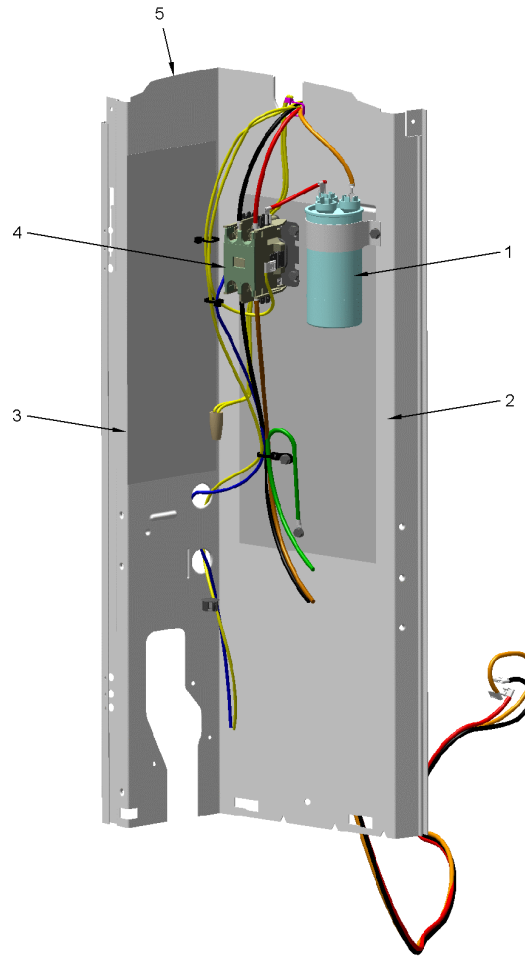
Part No.	Reference No.	Quantity	Description
0000030360~P	*		CONTROLS-COOLING

CONTROLS

75010701

REV
A

TYPICAL ILLUSTRATION



Part No.	Reference No.	Quantity	Description
CON00241	*	1	CONNECTOR; WIRE
PAI00246	*	0	PAINT; SPRAY, TARPAULIN GRAY (SHIPPING UOM 12 OZ HAZ)
PLU00984	*	1	PLUG; LOCKING HOLE
SCR01918	*	9	SCREW, 10-24 THREAD ROLL, INDENT HEX WASHER HD
SRP00269	*	1	STRAP; CAPACITOR
TER00312	*	3	TERMINAL; 8IN. TIE CABLE
TIE00007	*	3	TIE;CABLE
WIR03324	*	1	WIRE, PLUG-SCROLL COMPRESSOR
CPT01842	1	1	CAPACITOR, RUN, 45/7.5 MFD, 370V, ROUND, W/O RESISTOR
SHD00386	2	1	SHIELD; MOISTURE, 12.75 X 5.00
SHD00387	3	1	SHIELD; MOISTURE, 10.25 X 4.00
CTR02579	4	1	CONTACTOR; 1P 30A 24VAC / SCREWS
PNL21731	5	1	PANEL, CONTROL PANEL, 27.14 HEIGHT

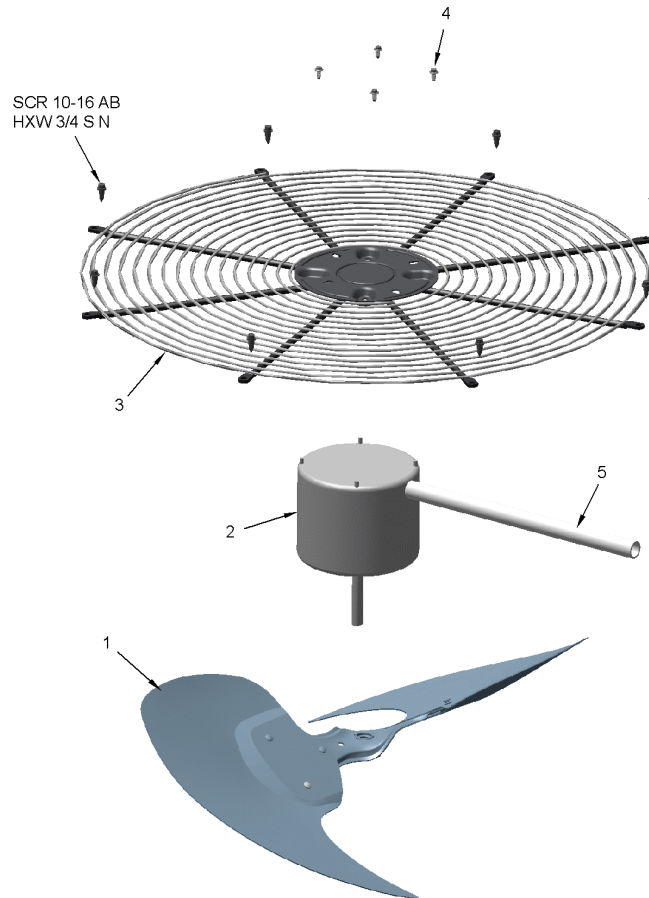
Part No.	Reference No.	Quantity	Description
0000030330~P	*		FAN PARTS LIST

FAN

75010673

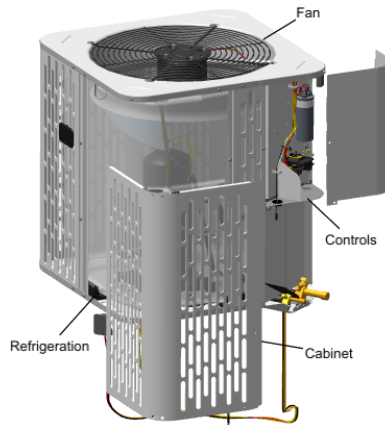
REV
A

TYPICAL ILLUSTRATION

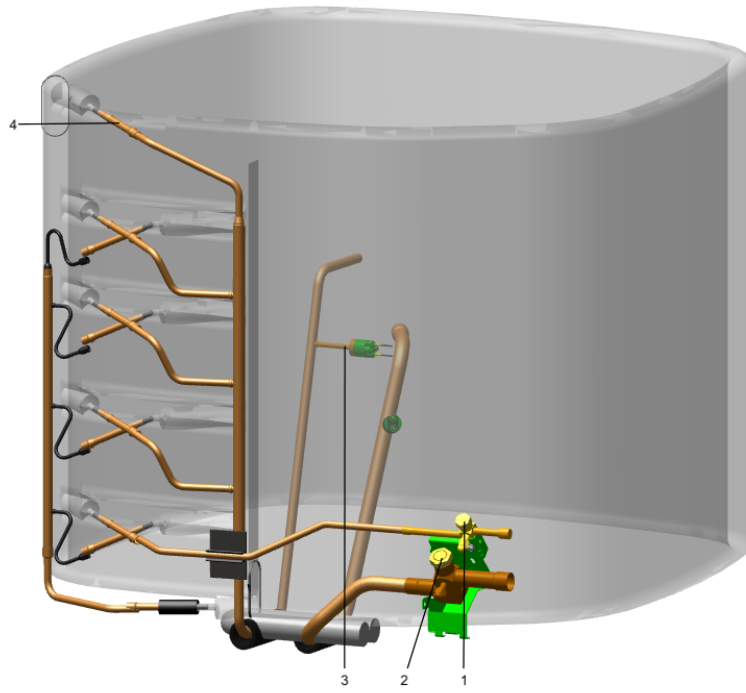


Part No.	Reference No.	Quantity	Description
MOT13693	*	1	MOTOR; 1/5 HP, 200/230/60/1, 825 RPM, 48 FRAME, PSC, BALL BEARING, CCW, 7.5 MFD CPT AT 370V
FAN04460	1	1	FAN; 2 SWEPT BLADES, 27.5" DIA, 25.2 DEG PITCH, 0.50" BORE, CCW, ALUMINUM, 1 SET SCREW-STEEL, SPIDER 0.075 THK
SCR02086	4	4	SCREW; 10-32 TR-3 HXW 3/8 S
GRD01416	5	1	GUARD, TROUGH-LEAD

Part No.	Reference No.	Quantity	Description
0000004361~P	*		GENERAL ASSEMBLY GRAPHIC



Part No.	Reference No.	Quantity	Description
0000030268~P	*		REFRIGERANT SYSTEM



Part No.	Reference No.	Quantity	Description
CAP01315	*	1	CAP; SERVICE LIQUID VALVE, BRASS, 1.06 OD X 0.81 ID X 15/16-20UNEF-2B
COL25249	*	1	COIL; OUTDOOR, SPINE FIN
SCR02010	*	4	SCREW; 12-18 AB HXW 1/2 SN
SCR02054	*	4	SCREW; 12-18 AB HXW 1/2 SN
TUB02810	*	10	TUBE; TRANSITION
TUB15869	*	1	TUBE; TU ASM-DISCHARGE BZ
VAL09293	*	1	VALVE, SERVICE LIQUID, .38 OD X .38 OD, VALVE ASSY
VAL20010	*	1	VALVE; SER GAS O(12-14)
COM11528		1	COMPRESSOR; SCROLL, ALLIANCE, SBA040B1CPZ, 3.5 TON, 40,000 BTUH, 208/230-60-1, R410-A, BRAZED, SUCTION 7/8, DISCHARGE 1/2, RLA 20.6
CAP01411	1	1	CAP; SERVICE VALVE, BRASS, 1.19 OD X 0.93 ID X 17/16-20UN-2B
CAP01336	2	1	CAP; SERVICE LIQUID VALVE, BRASS, 0.75 OD X 0.57 ID X 11/16-28UN-2B
SWT03273	3	1	SWITCH, HIGH PRESSURE, SPST, OPEN @ 650 PSIG, CLOSE @ 500 PSIG, 88" YELLOW LEAD
TUB11547	4	10	TUBE; TRANSITION ASSEMBLY