

| Part No. | Reference No. | Quantity | Description |
|-----------------|----------------------|-----------------|--------------------|
| 0000156173~S | * | | CABINET |
| 0000168308~S | * | | COMPRESSOR |
| 0000156172~S | * | | CONTROLS |
| 0000156171~S | * | | FAN |
| 0000156169~S | * | | GENERAL ASSEMBLY |
| 0000156170~S | * | | REFRIGERATION |

| Part No. | Reference No. | Quantity | Description |
|--------------|---------------|----------|---------------------|
| 0000030387~P | * | | CABINERY PARTS LIST |

CABINET

75010774

REV.
A

TYPICAL ILLUSTRATION



| Part No. | Reference No. | Quantity | Description |
|-----------------|----------------------|-----------------|---|
| BAS01834 | * | 1 | BASE; 41.78 X 41.81 DIAGONALLY |
| PAI00246 | * | 0 | PAINT; SPRAY, TARPAULIN GRAY (SHIPPING UOM 12 OZ HAZ) |
| SCR02010 | * | 17 | SCREW; 12-18 AB HXW 1/2 SN |
| SCR02054 | * | 17 | SCREW; 12-18 AB HXW 1/2 SN |
| COV03396 | 1 | 1 | COVER; TOP |
| PNL13008 | 2 | 1 | PANEL, WRAPPER, 23.22 X 33.33 |
| PNL13005 | 3 | 1 | PANEL; CORNER POST, 3.570 X 33.33 |
| PNL13008 | 4 | 1 | PANEL, WRAPPER, 23.22 X 33.33 |
| COV03224 | 5 | 1 | COVER, CONTROL, 11.32 X 18.11 |
| COV03228 | 7 | 1 | COVER, CONTROL BOTTOM |
| PNL13074 | 8 | 1 | PANEL, ACCESS, 19.88 X 32.65 |
| PNL13005 | 9 | 1 | PANEL; CORNER POST, 3.570 X 33.33 |
| PNL13073 | 10 | 1 | PANEL; WRAPPER, 27.12 X 33.33 |
| PNL13005 | 11 | 1 | PANEL; CORNER POST, 3.570 X 33.33 |

| Part No. | Reference No. | Quantity | Description |
|-----------------|----------------------|-----------------|-----------------------|
| 0000037395~P | * | | COMPRESSOR PARTS LIST |

| Part No. | Reference No. | Quantity | Description |
|----------|---------------|----------|--------------------------------------|
| COM13702 | | 1 | COMPRESSOR; LCA034C1CPA SCROLL-13702 |

CONTROLS

Parts List Number :0000156154

Model Number :4TTR4042N1000AA

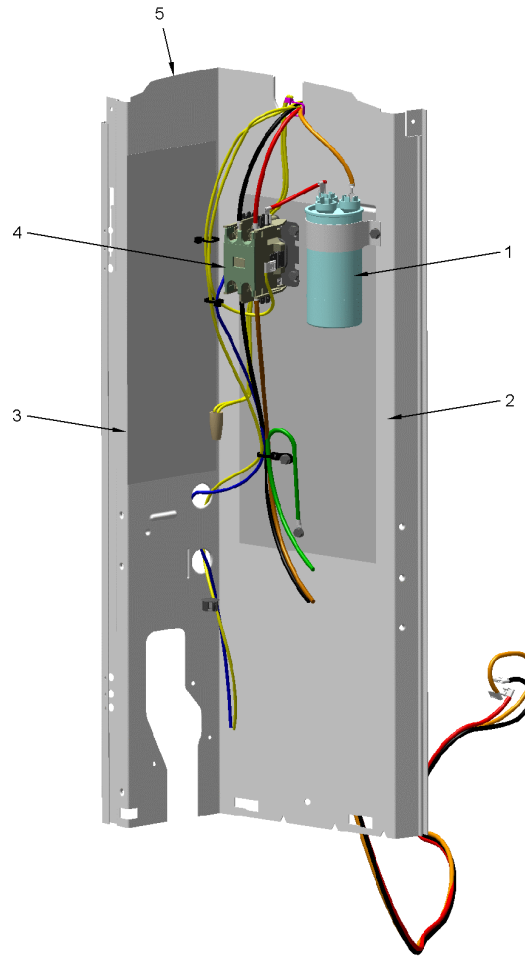
| Part No. | Reference No. | Quantity | Description |
|--------------|---------------|----------|------------------|
| 0000030350~P | * | | CONTROLS-COOLING |

CONTROLS

75010701

REV
A

TYPICAL ILLUSTRATION



| Part No. | Reference No. | Quantity | Description |
|----------|---------------|----------|---|
| CON00241 | * | 1 | CONNECTOR; WIRE |
| PAI00246 | * | 0 | PAINT; SPRAY, TARPAULIN GRAY (SHIPPING UOM 12 OZ HAZ) |
| PLU00984 | * | 1 | PLUG; LOCKING HOLE |
| SCR01918 | * | 5 | SCREW, 10-24 THREAD ROLL, INDENT HEX WASHER HD |
| SRP00269 | * | 1 | STRAP; CAPACITOR |
| TER00312 | * | 2 | TERMINAL; 8IN. TIE CABLE |
| TIE00007 | * | 2 | TIE;CABLE |
| WIR08044 | * | 1 | WIRE; PLUG, COMPRESSOR HARNESS, 73 IN LENGTH |
| CPT02380 | 1 | 1 | CAPACITOR; DUAL, 45/5 MFD, 370V, ROUND, W/O RESISTOR |
| SHD00386 | 2 | 1 | SHIELD; MOISTURE, 12.75 X 5.00 |
| SHD00387 | 3 | 1 | SHIELD; MOISTURE, 10.25 X 4.00 |
| CTR00845 | 4 | 1 | CONTACTOR; 30 AMP, 240/480/600V, 24V COIL, 1 POLE |
| PNL13028 | 5 | 1 | PANEL, CONTROL PANEL BASE, 35.14 HEIGHT |

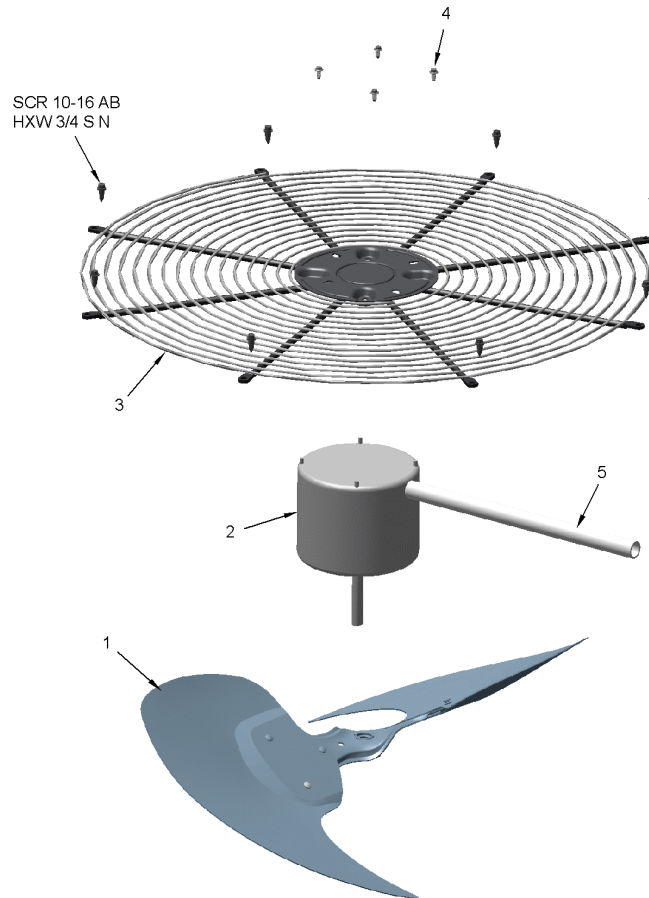
| Part No. | Reference No. | Quantity | Description |
|--------------|---------------|----------|-------------|
| 0000030337~P | * | | AIR SYSTEM |

FAN

75010673

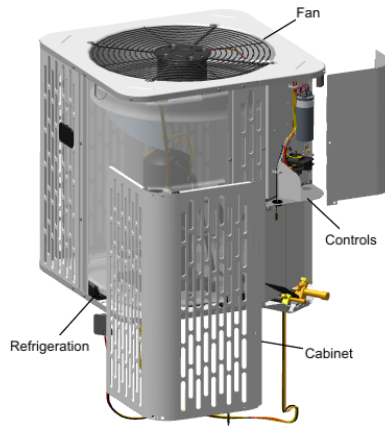
REV
A

TYPICAL ILLUSTRATION

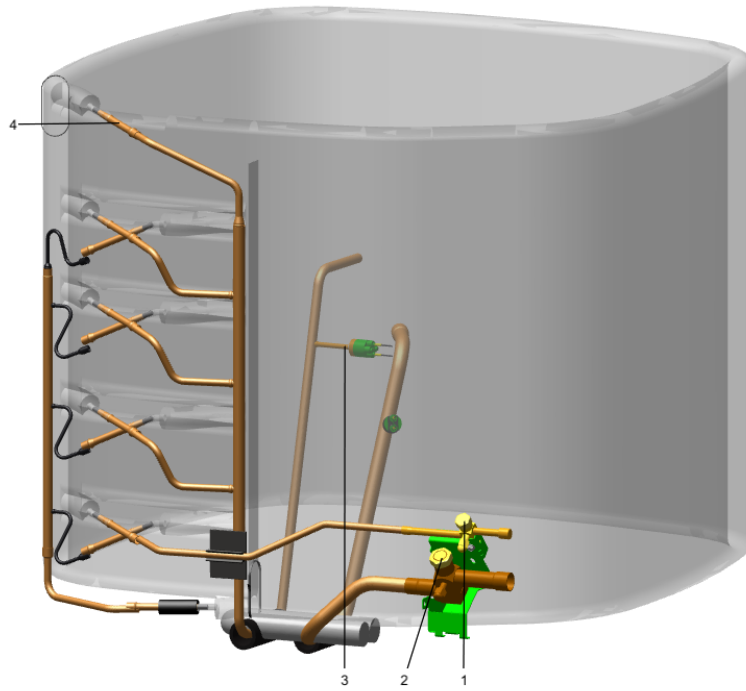


| Part No. | Reference No. | Quantity | Description |
|-----------------|----------------------|-----------------|--|
| FAN04460 | 1 | 1 | FAN; 2 SWEPT BLADES, 27.5" DIA, 25.2 DEG PITCH, 0.50" BORE, CCW, ALUMINUM, 1 SET SCREW-STEEL, SPIDER 0.075 THK |
| MOT17346 | 2 | 1 | MOTOR; 1/5 HP - 48 FRAME |
| GRL01348 | 3 | 1 | GRILLE; FAN, 29 IN DIA, SPIRAL WIRE, BASALT GREY |
| SCR02086 | 4 | 4 | SCREW; 10-32 TR-3 HXW 3/8 S |
| GRD01416 | 5 | 1 | GUARD, TROUGH-LEAD |

| Part No. | Reference No. | Quantity | Description |
|-------------|---------------|----------|--------------------------|
| 000004361~P | * | | GENERAL ASSEMBLY GRAPHIC |



| Part No. | Reference No. | Quantity | Description |
|--------------|---------------|----------|--------------------|
| 0000030273~P | * | | REFRIGERANT SYSTEM |



| Part No. | Reference No. | Quantity | Description |
|----------|---------------|----------|---|
| BRK03696 | * | 1 | BRACKET; VALVE |
| CAP00156 | * | 0 | CAP, TUBE PLUG, .447-.513 OD |
| COL25747 | * | 0 | COIL; SPINE FIN, 32.14W X 34.00H |
| SCR02010 | * | 4 | SCREW; 12-18 AB HXW 1/2 SN |
| SCR02054 | * | 4 | SCREW; 12-18 AB HXW 1/2 SN |
| TUB02810 | * | 10 | TUBE; TRANSITION |
| VAL09293 | * | 1 | VALVE, SERVICE LIQUID, .38 OD X .38 OD, VALVE ASSY |
| COL28467 | | 1 | COIL; CONDENSER, SPINE FIN |
| COM13702 | | 1 | COMPRESSOR; LCA034C1CPA SCROLL-13702 |
| CAP01336 | 1 | 1 | CAP; SERVICE LIQUID VALVE, BRASS, 0.75 OD X 0.57 ID X 11/16-28UN-2B |
| CAP01315 | 2 | 1 | CAP; SERVICE LIQUID VALVE, BRASS, 1.06 OD X 0.81 ID X 15/16-20UNEF-2B |
| SWT03273 | 3 | 1 | SWITCH, HIGH PRESSURE, SPST, OPEN @ 650 PSIG, CLOSE @ 500 PSIG, 88" YELLOW LEAD |
| TUB11547 | 4 | 10 | TUBE; TRANSITION ASSEMBLY |