

Part No.	Reference No.	Quantity	Description
0000170010~S	*		CABINET
0000193467~S	*		COMPRESSOR MOUNTING
0000170009~S	*		COMPRESSOR
0000170008~S	*		CONTROLS
0000170007~S	*		FAN
0000170005~S	*		MODEL NUMBER DESCRIPTION
0000170006~S	*		REFIGERATION

Part No.	Reference No.	Quantity	Description
0000033269~P	*		CABINET PARTS LIST

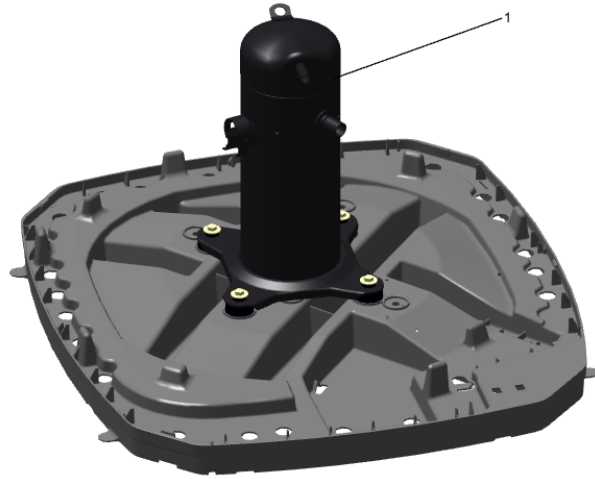
Part No.	Reference No.	Quantity	Description
SCR02010	1	15	SCREW; 12-18 AB HXW 1/2 SN
BAS01833	2	1	BASE; 36.26 X 36.41 DIAGONALLY
PNL13011	3	2	PANEL, WRAPPER, 19.55 X 29.33
SCR02054	4	15	SCREW; 12-18 AB HXW 1/2 SN
PAI00246	5	0	PAINT; SPRAY, TARPAULIN GRAY (SHIPPING UOM 12 OZ HAZ)
PNL13007	6	1	PANEL, WRAPPER, 23.22 X 29.33
COV03224	7	1	COVER, CONTROL, 11.32 X 18.11
PNL13014	8	1	PANEL, ACCESS, 15.72 X 28.65
COV03358	9	1	COVER; TOP, 32.36 X 29.40
PNL13004	10	3	PANEL, CORNER POST, 3.570 X 29.33
COV03228	11	1	COVER, CONTROL BOTTOM

COMPRESSOR

Parts List Number :0000169984

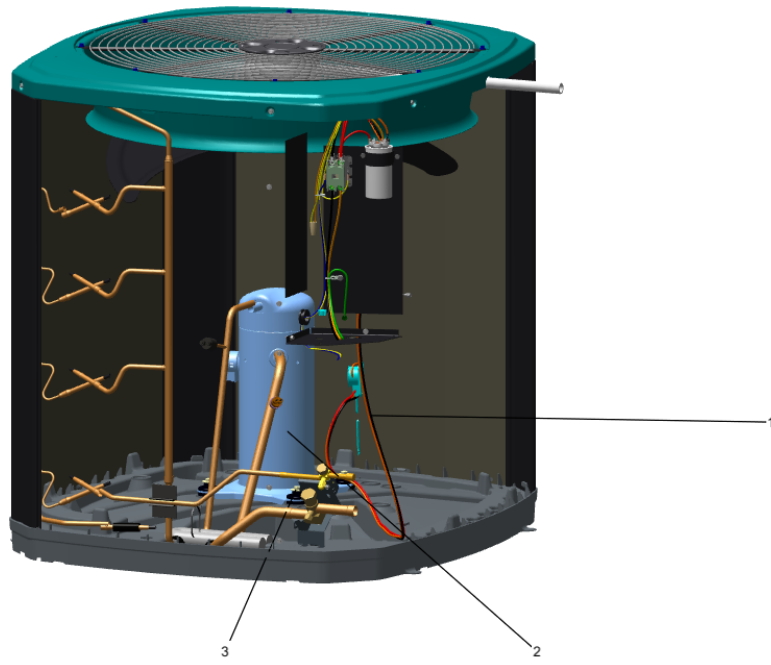
Model Number :4TTR4036N1000BA

Part No.	Reference No.	Quantity	Description
0000045159~P	*		SCROLL COMPRESSOR



Part No.	Reference No.	Quantity	Description
COM13866	1	1	COMPRESSOR; SCROLL, 3 TON, 208/230/60/1, STUB TUBE, R410A

Part No.	Reference No.	Quantity	Description
0000041298~P	*		COMPRESSOR MTG-SCROLL



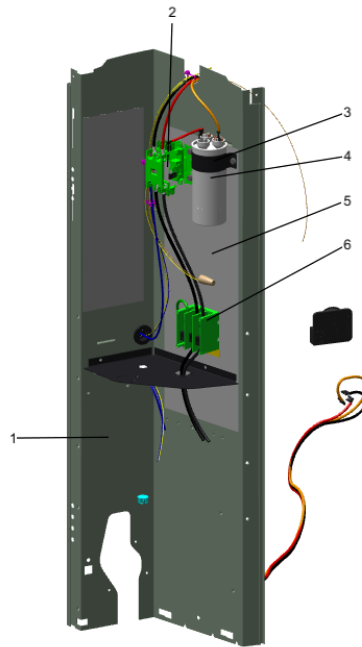
Part No.	Reference No.	Quantity	Description
ISR00007		4	ISOLATOR; VIBRATION
SCR01914		4	SCREW, ASSEMBLY COMPRESSOR, 5/16-12 TYPE B, W/WASHER & SLEEVE
KIT08039	3	4	KIT; GROMMETS. COMPRESSOR MOUNTING. (CONSISTS OF 4), 0.44 ID X 1.63 OD NEOPRENE RUBBER-BLACK 45-55 DUROMETER

CONTROLS

Parts List Number :0000169984

Model Number :4TTR4036N1000BA

Part No.	Reference No.	Quantity	Description
0000044850~P	*		CONTROLS-COOLING



Part No.	Reference No.	Quantity	Description
CON00241	*	1	CONNECTOR; WIRE
PAI00246	*	0	PAINT; SPRAY, TARPAULIN GRAY (SHIPPING UOM 12 OZ HAZ)
PLU00984	*	1	PLUG; LOCKING HOLE
SCR01918	*	5	SCREW, 10-24 THREAD ROLL, INDENT HEX WASHER HD
TER00312	*	3	TERMINAL; 8IN. TIE CABLE
TIE00007	*	3	TIE;CABLE
WIR03326	*	1	WIRE, PLUG-SCROLL COMPRESSOR
PNL13027	1	1	PANEL; CONTROL PANEL BASE, 31.14 HEIGHT
CTR02579	2	1	CONTACTOR; 1P 30A 24VAC / SCREWS
SRP00269	3	1	STRAP; CAPACITOR
CPT02380	4	1	CAPACITOR; DUAL, 45/5 MFD, 370V, ROUND, W/O RESISTOR
SHD00387	5	1	SHIELD; MOISTURE, 10.25 X 4.00

Part No.	Reference No.	Quantity	Description
0000044867~P	*		FAN PARTS LIST

FAN

75010673

REV
A

TYPICAL ILLUSTRATION



Part No.	Reference No.	Quantity	Description
FAN04634	1	1	FAN; 2 SWEPT BLADES, 23 IN DIA, 28 DEG PITCH, .50 IN BORE, CCW, ALUMINUM, 1 SET SCREW-STEEL, SPIDER .050 THK
MOT17918	2	1	MOTOR; 1/8 HP, 200/230/60/1, 825 RPM, 48 FRAME, PSC, SLEEVE BEARING, CCW
SCR02086	4	4	SCREW; 10-32 TR-3 HXW 3/8 S
GRD01415	5	1	GUARD, TROUGH-LEAD

Part No.	Reference No.	Quantity	Description
0000036907~P	*		MODEL NUMBER DESCRIPTION PARTS LIST

MODEL NUMBER DESCRIPTION

75005586

REV
D

OUTDOOR UNITS

Example Model Number:

4 TWV 00 3 6 A 1 0 0 0 A A
1 - - - 5 - - - 10 - - - 15

Digit 1 – Refrigerant Type

2 = R-22
4 = R-410A

Digit 2 – Trane

Digit 3 – Product Type

W = Split Heat Pump
T = Split Cooling

Digit 4 – Product Family

V = Variable Speed
Z = Leadership - Two Stage
X = Leadership
R = Replacement/Retail
M or B = Basic
A = Light Commercial
L = Side Discharge

Digit 5 – Family SEER

3 = 13 7 = 17
4 = 14 9 = 19
5 = 15 9 = 19
6 = 16 0 = 20

Digits 6 – Split System Connections 1-6 Tons

0 = Brazed

Digits 7,8 – Nominal Capacity in 000s BTUs

Digit 9 – Major Design Modifications

Digit 10 – Power Supply

1 = 200-230/1/60 or 208-230/1/60
3 = 200-230/3/60
4 = 460/3/60

Digit 11,12,13 – Secondary Function

Digit 14 – Minor Design Modifications

Digit 15 – Unit Parts Identifier

REFIGERATION

Parts List Number :0000169984

Model Number :4TTR4036N1000BA

Part No.	Reference No.	Quantity	Description
0000032948~P	*		REFRIGERATION SYSTEM

Part No.	Reference No.	Quantity	Description
CAP01315	*	1	CAP; SERVICE LIQUID VALVE, BRASS, 1.06 OD X 0.81 ID X 15/16-20UNEF-2B
CAP01336	*	1	CAP; SERVICE LIQUID VALVE, BRASS, 0.75 OD X 0.57 ID X 11/16-28UN-2B
PAI00246	*	0	PAINT; SPRAY, TARPAULIN GRAY (SHIPPING UOM 12 OZ HAZ)
PLU00413	*	0	PLUG; TUBE
PLU00414	*	0	PLUG;TUBE
SCR02010	*	4	SCREW; 12-18 AB HXW 1/2 SN
SCR02054	*	4	SCREW; 12-18 AB HXW 1/2 SN
SLV00082	*	0	SLEEVE;
SLV00083	*	0	SLEEVE;
TER00312	*	0	TERMINAL; 8IN. TIE CABLE
TIE00007	*	0	TIE;CABLE
TIE00023	*	2	TIE;CABLE, 8.00IN.
TUB02810	*	8	TUBE; TRANSITION
TUB11547	*	8	TUBE; TRANSITION ASSEMBLY
TUB14578	*	1	TUBE; DISCHARGE
BRK03696	4	1	BRACKET; VALVE
SWT03274	8	1	SWITCH, HIGH PRESSURE, SPST, OPEN @ 650 PSIG, CLOSE @ 500 PSIG, 75" YELLOW LEAD
COL25247	9	0	COIL; OUTDOOR, SPINE FIN