

Part No.	Reference No.	Quantity	Description
0000156173~S	*		CABINET
0000168308~S	*		COMPRESSOR
0000156172~S	*		CONTROLS
0000156171~S	*		FAN
0000156169~S	*		GENERAL ASSEMBLY
0000156170~S	*		REFRIGERATION

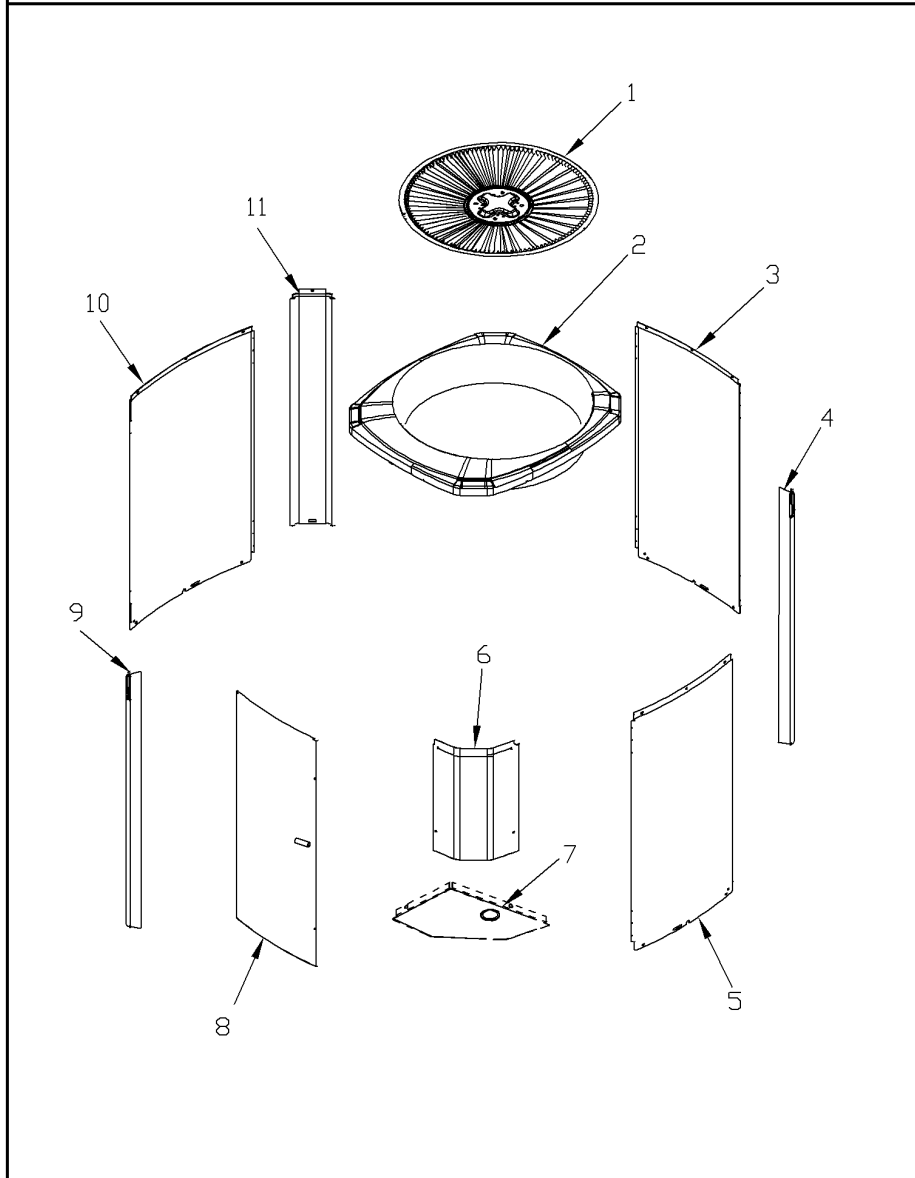
Part No.	Reference No.	Quantity	Description
0000030401~P	*		CABINERY PARTS LIST

CABINETY

75006805

REV
A

Typical Illustration. Unit may not appear exactly as shown.



Part No.	Reference No.	Quantity	Description
BAS01833	*	1	BASE; 36.26 X 36.41 DIAGONALLY
PAI00246	*	0	PAINT; SPRAY, TARPAULIN GRAY (SHIPPING UOM 12 OZ HAZ)
SCR02010	*	15	SCREW; 12-18 AB HXW 1/2 SN
SCR02054	*	15	SCREW; 12-18 AB HXW 1/2 SN
COV03358	2	1	COVER; TOP, 32.36 X 29.40
PNL13011	3	1	PANEL, WRAPPER, 19.55 X 29.33
PNL13004	4	3	PANEL, CORNER POST, 3.570 X 29.33
PNL13011	5	1	PANEL, WRAPPER, 19.55 X 29.33
COV03224	6	1	COVER, CONTROL, 11.32 X 18.11
COV03228	7	1	COVER, CONTROL BOTTOM
PNL13014	8	1	PANEL, ACCESS, 15.72 X 28.65
PNL13004	9	1	PANEL, CORNER POST, 3.570 X 29.33
PNL13007	10	1	PANEL, WRAPPER, 23.22 X 29.33
PNL13004	11	1	PANEL, CORNER POST, 3.570 X 29.33

Part No.	Reference No.	Quantity	Description
0000037394~P	*		COMPRESSOR PARTS LIST

Part No.	Reference No.	Quantity	Description
COM13701		1	COMPRESSOR; LCA029C1CPA SCROLL-13701

CONTROLS

Parts List Number :0000156154

Model Number :4TTR4030N1000AA

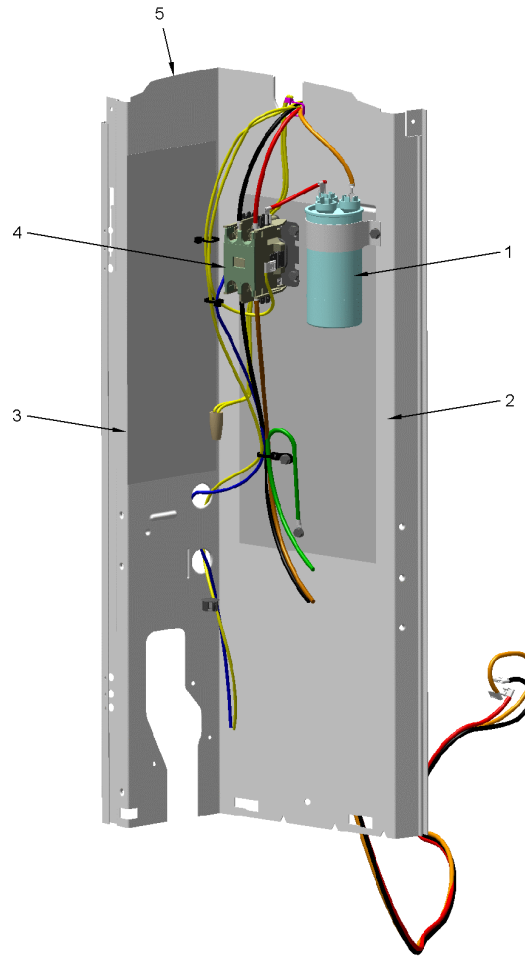
Part No.	Reference No.	Quantity	Description
0000030355~P	*		CONTROLS-COOLING

CONTROLS

75010701

REV
A

TYPICAL ILLUSTRATION



Part No.	Reference No.	Quantity	Description
CON00241	*	1	CONNECTOR; WIRE
PAI00246	*	0	PAINT; SPRAY, TARPAULIN GRAY (SHIPPING UOM 12 OZ HAZ)
PLU00984	*	1	PLUG; LOCKING HOLE
SCR01918	*	5	SCREW, 10-24 THREAD ROLL, INDENT HEX WASHER HD
SRP00269	*	1	STRAP; CAPACITOR
TER00312	*	3	TERMINAL; 8IN. TIE CABLE
TIE00007	*	3	TIE;CABLE
CPT02380	1	1	CAPACITOR; DUAL, 45/5 MFD, 370V, ROUND, W/O RESISTOR
SHD00386	2	1	SHIELD; MOISTURE, 12.75 X 5.00
SHD00387	3	1	SHIELD; MOISTURE, 10.25 X 4.00
CTR02579	4	1	CONTACTOR; 1P 30A 24VAC / SCREWS
PNL13027	5	1	PANEL; CONTROL PANEL BASE, 31.14 HEIGHT

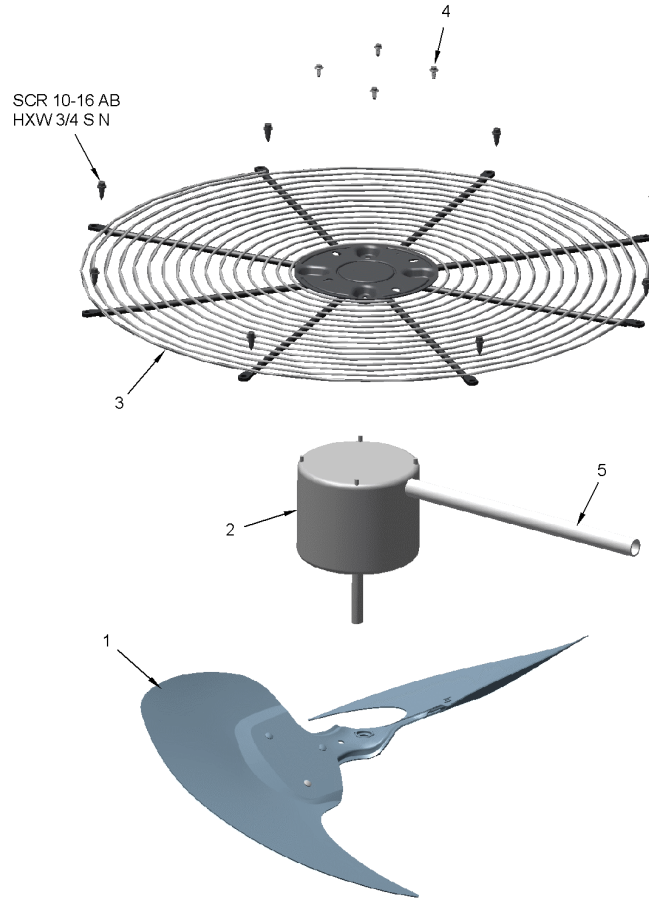
Part No.	Reference No.	Quantity	Description
0000030334~P	*		AIR SYSTEM

FAN

75010673

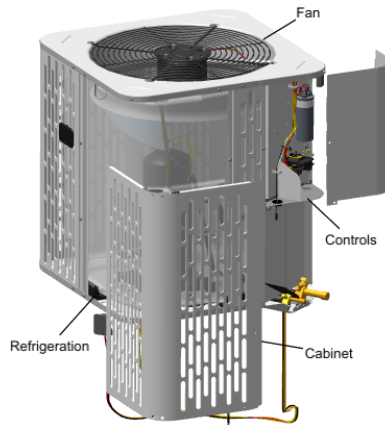
REV
A

TYPICAL ILLUSTRATION



Part No.	Reference No.	Quantity	Description
FAN04634	1	1	FAN; 2 SWEPT BLADES, 23 IN DIA, 28 DEG PITCH, .50 IN BORE, CCW, ALUMINUM, 1 SET SCREW-STEEL, SPIDER .050 THK
MOT16968	2	1	MOTOR; 1/8 HP
GRL01347	3	1	GRILLE; FAN, 25.51 MOUNTING DIA
SCR02086	4	4	SCREW; 10-32 TR-3 HXW 3/8 S
GRD01415	5	1	GUARD, TROUGH-LEAD

Part No.	Reference No.	Quantity	Description
000004361~P	*		GENERAL ASSEMBLY GRAPHIC



Part No.	Reference No.	Quantity	Description
0000030276~P	*		REFRIGERANT SYSTEM

Part No.	Reference No.	Quantity	Description
SCR02010	*	4	SCREW; 12-18 AB HXW 1/2 SN
SCR02054	*	4	SCREW; 12-18 AB HXW 1/2 SN
TUB02810	*	8	TUBE; TRANSITION
TUB14578	*	1	TUBE; DISCHARGE
VAL09293	*	1	VALVE, SERVICE LIQUID, .38 OD X .38 OD, VALVE ASSY
COL25247		1	COIL; OUTDOOR, SPINE FIN
VAL20399		1	VALVE; SERVICE GAS ASSEMBLY, 0.75 ODS X 0.75 ODS, FEMALE BRAZE TO FEMALE BRAZE, LEFT HAND MOUNTING HOLES
CAP01336	1	1	CAP; SERVICE LIQUID VALVE, BRASS, 0.75 OD X 0.57 ID X 11/16-28UN-2B
CAP01315	2	1	CAP; SERVICE LIQUID VALVE, BRASS, 1.06 OD X 0.81 ID X 15/16-20UNEF-2B
SWT03274	3	1	SWITCH, HIGH PRESSURE, SPST, OPEN @ 650 PSIG, CLOSE @ 500 PSIG, 75" YELLOW LEAD
TUB11547	4	8	TUBE; TRANSITION ASSEMBLY