

GENERAL ASSEMBLY

75005591

REV  
A

Typical Illustration. Unit may not appear exactly as shown.



<b>Part No.</b>	<b>Reference No.</b>	<b>Quantity</b>	<b>Description</b>
75006805#4TTR4UP5~S	*		CABINTRY
75010930#4TTR4UP5~S	*		CONTROLS
75010676#4TTR4UP5~S	*		FAN
75005591_4TTR4UP5_178354~P	*		GENERAL ASSEMBLY PARTS LIST
75005586#4TTR4UP5~S	*		MODEL NOMENCLATURE
OPTIONS#4TTR4UP5~S	*		OPTIONAL FIELD INSTALLED ACCESSORIES
75009224#4TTR4UP5~S	*		REFRIGERATION

GENERAL ASSEMBLY

75005591

REV  
A

Typical Illustration. Unit may not appear exactly as shown.

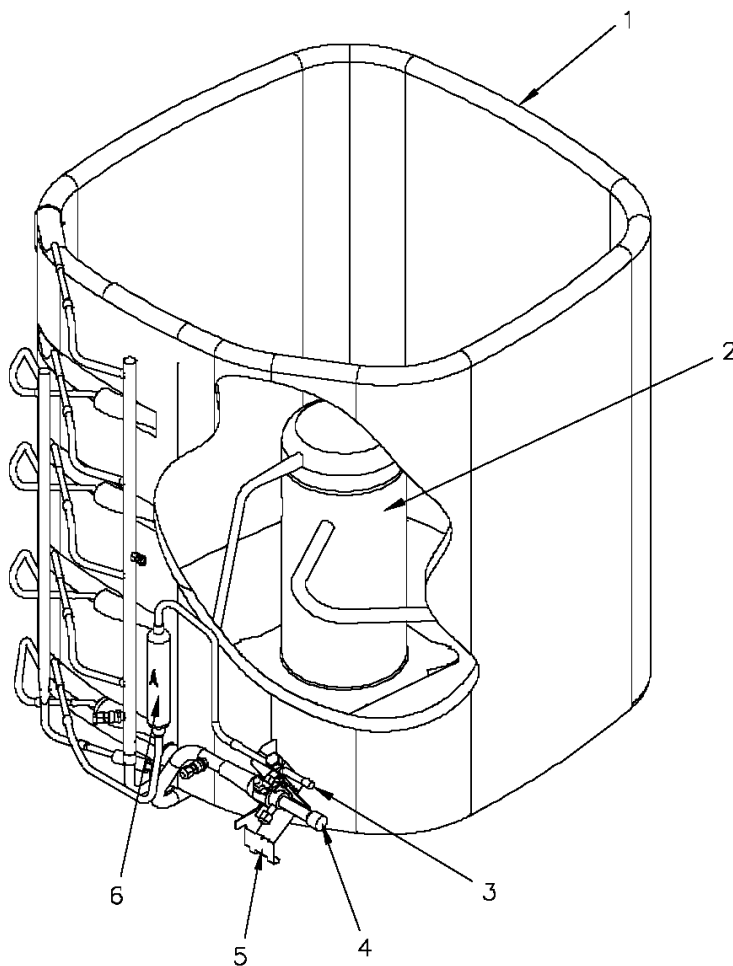


REFRIGERATION

75009224

REV  
A

Typical Illustration. Unit may not appear exactly as shown.



Parts List Number :75005591#4TTR4UP5

Model Number :4TTR4025L1000AB

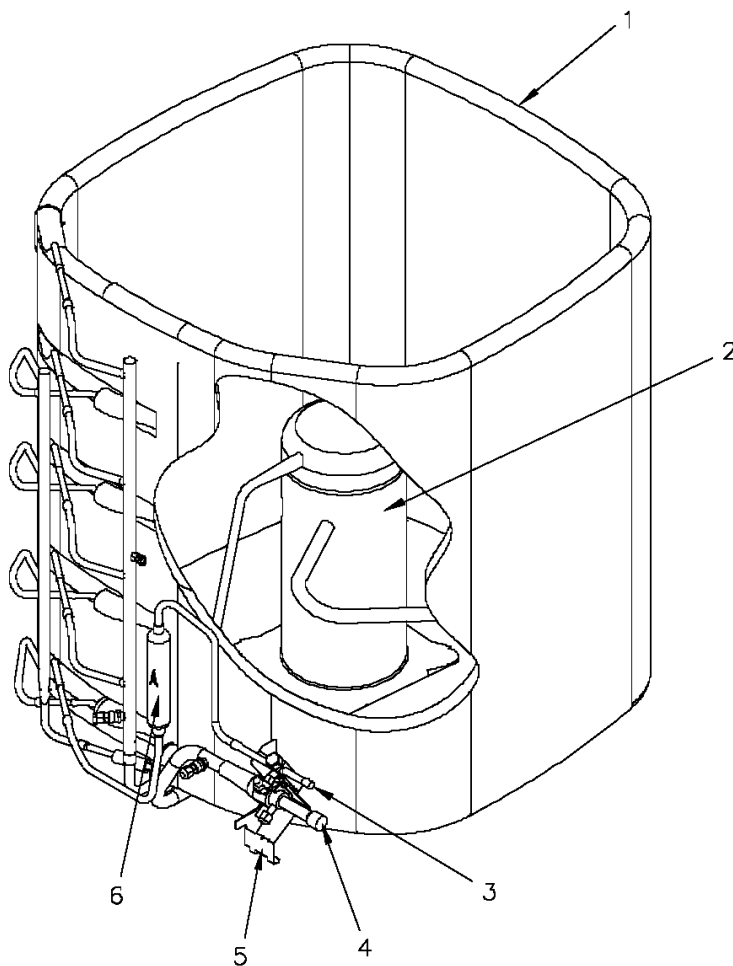
Part No.	Reference No.	Quantity	Description
75009224_4TTR4UP5_257909~P	*		REFRIGERATION PARTS LIST

REFRIGERATION

75009224

REV  
A

Typical Illustration. Unit may not appear exactly as shown.



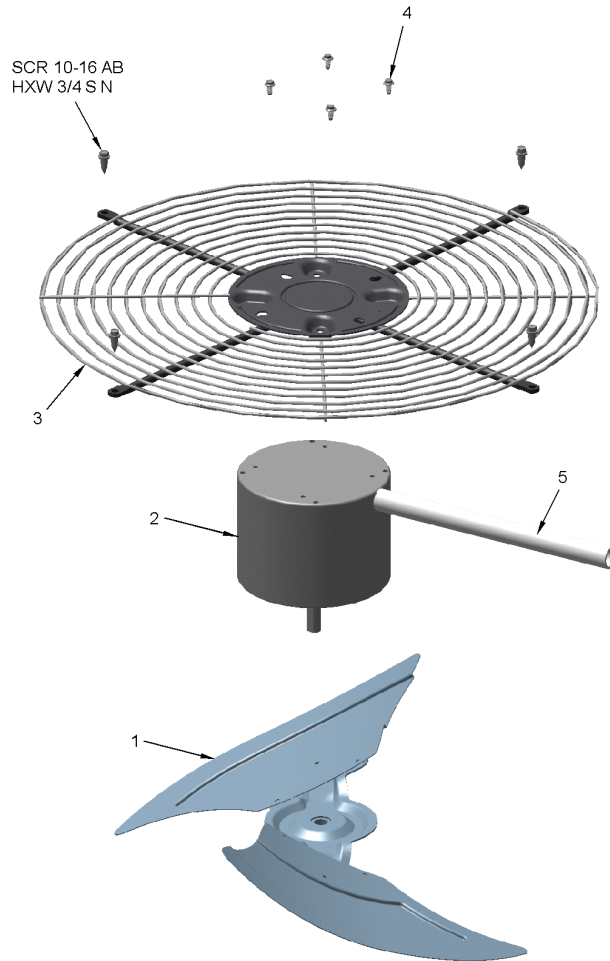
Part No.	Reference No.	Quantity	Description
ISR00007	*	4	ISOLATOR; VIBRATION
PLU01186	*	1	PLUG; SCROLL COMPRESSOR
SCR01914	*	4	SCREW, ASSEMBLY COMPRESSOR, 5/16-12 TYPE B, W/WASHER & SLEEVE
SPC00386	*	1	SPACER; BASE, 5.50 X 1.00 X 0.50
SWT03274	*	1	SWITCH, HIGH PRESSURE, SPST, OPEN @ 650 PSIG, CLOSE @ 500 PSIG, 75' YELLOW LEAD
SWT03654	*	1	SWITCH; LOW PRESSURE, OPEN @ 50 PSIG, CLOSE @ 70 PSIG
COL25245	1	1	COIL; OUTDOOR, SPINE FIN
COM11524	2	1	COMPRESSOR; SCROLL, ALLIANCE, SBA020C1CPZ, 1.75 TON, 20,000 BTUH, 208/230-60-1, R410-A, BRAZED, SUCTION 3/4, DISCHARGE 1/2, RLA 12.1
VAL09293	3	1	VALVE, SERVICE LIQUID, .38 OD X .38 OD, VALVE ASSY
VAL11772	4	1	VALVE; SERVICE GAS ASSEMBLY, 0.75 ODS X 0.75 ODS, WITH 0.25 SAE SERVICE PORT SERVICE
BRK03696	5	1	BRACKET; VALVE
DHY01457	6	1	DRIER; LIQUID LINE; SERVICE FIRST; 5 CU. IN.; 5.4 TON CAPACITY; 3/8" ODF INLET X 3/8" ODF OUTLET; APPROVED FOR MINERAL OIL AND POE OIL REFRIGERANTS

FAN

75010676

REV  
A

TYPICAL ILLUSTRATION



Parts List Number :75005591#4TTR4UP5

Model Number :4TTR4025L1000AB

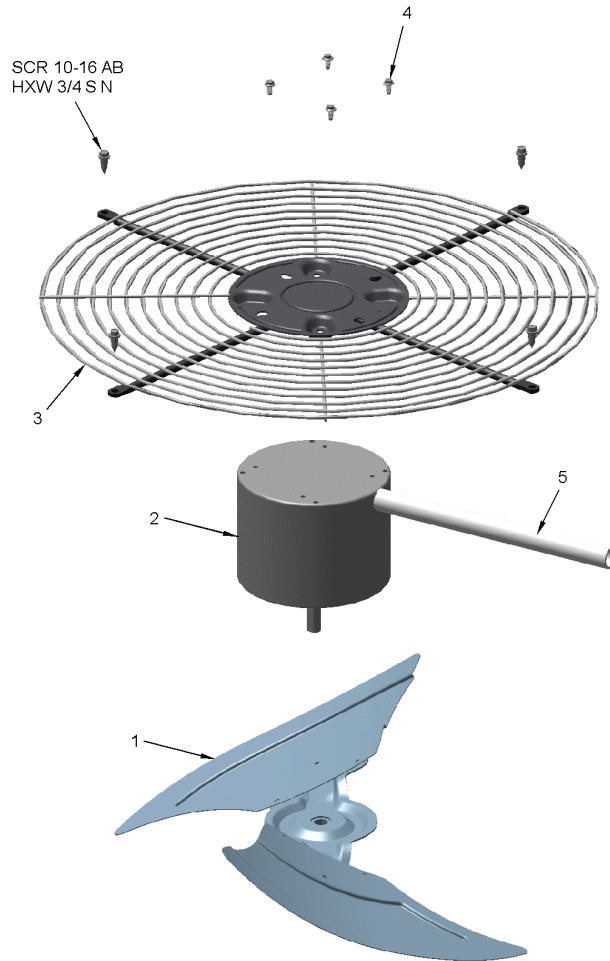
Part No.	Reference No.	Quantity	Description
75010676_4TTR4UP5_257910~P	*		FAN PARTS LIST

FAN

75010676

REV  
A

TYPICAL ILLUSTRATION



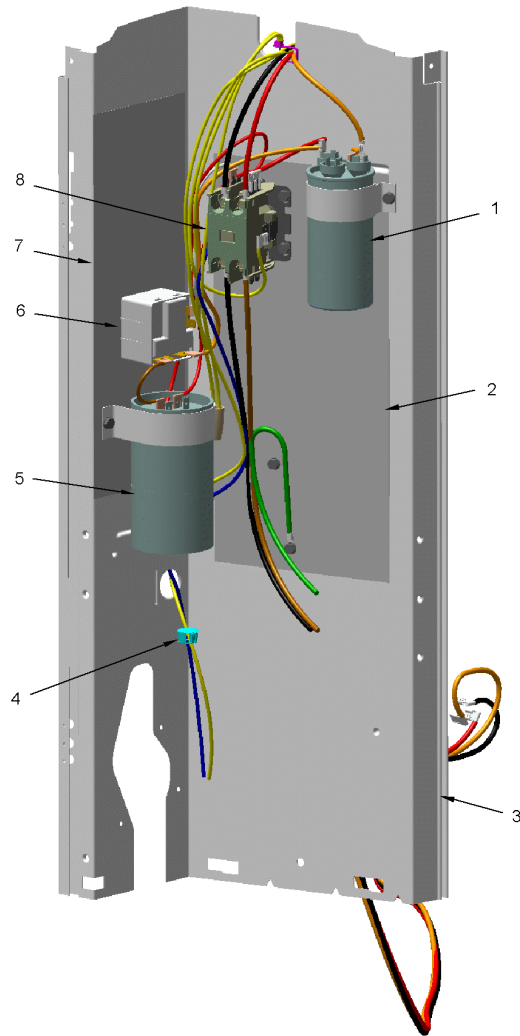
Part No.	Reference No.	Quantity	Description
COV03250	*	1	COVER; MOTOR, 6.86 DIA
FAN04635	1	1	FAN; 2 SWEEP BLADES, 18.92 IN DIA, 28 DEG PITCH, 0.50 IN BORE, CCW, ALUMINUM, 1 SET SCREW-STEEL, SPIDER .050 THK
MOT10515	2	1	MOTOR; 1/8 HP, 200/230/60/1, 1075 RPM, 48 FRAME PSC, SLEEVE BEARINGS, CCW, 5 MFD @ 370V
GRL01366	3	1	GRILLE; FAN
SCR02086	4	4	SCREW; 10-32 TR-3 HXW 3/8 S
GRD01440	5	1	GUARD; TROUGH-LEAD

CONTROLS

75010930

REV.  
A

TYPICAL ILLUSTRATION



Parts List Number :75005591#4TTR4UP5

Model Number :4TTR4025L1000AB

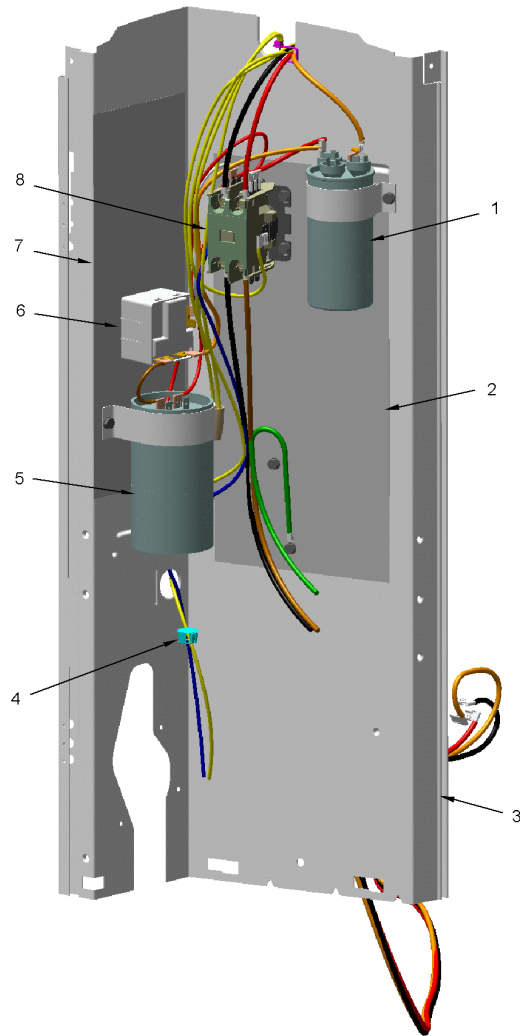
Part No.	Reference No.	Quantity	Description
75010930_4TTR4UP5_257911~P	*		CONTROLS PARTS LIST

CONTROLS

75010930

REV.  
A

TYPICAL ILLUSTRATION



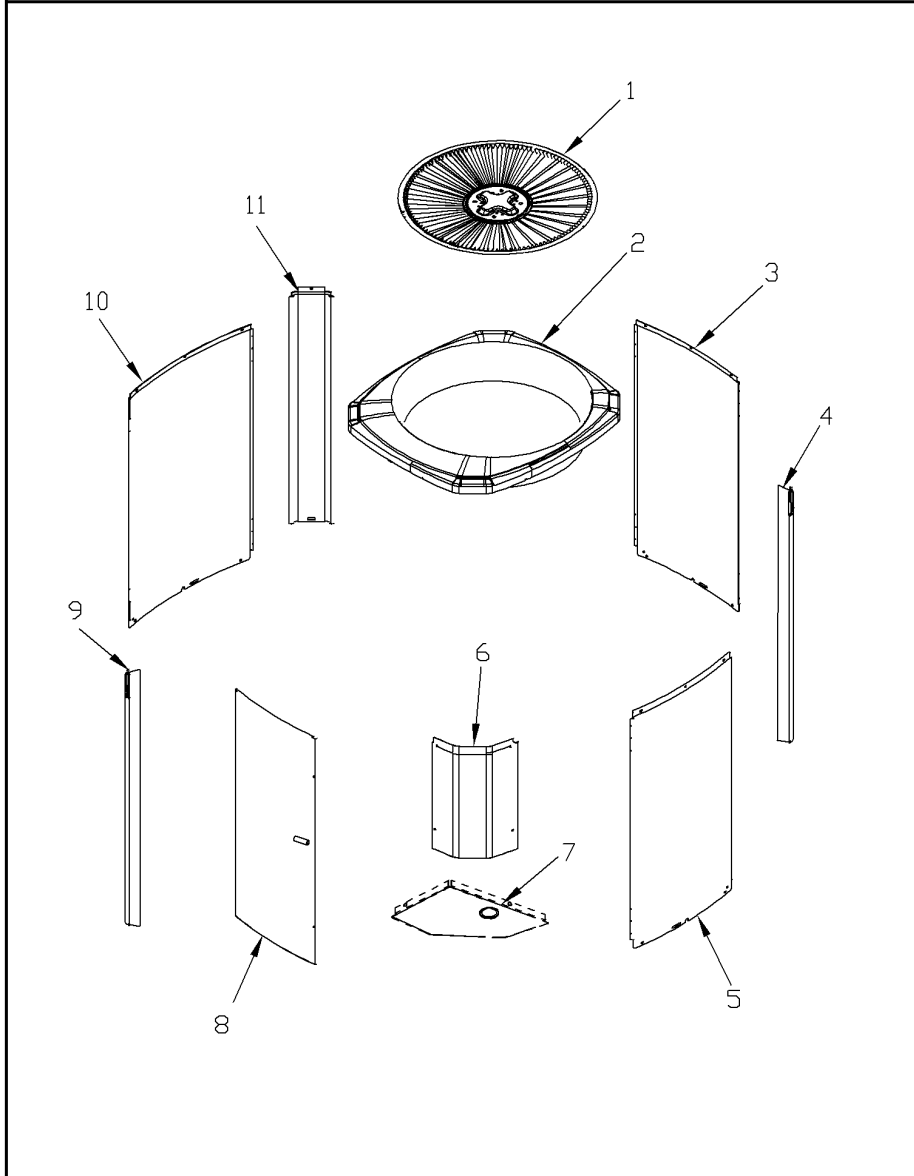
Part No.	Reference No.	Quantity	Description
PAI00248	*	1	PAINT; 12 OZ SPRAY, ANTHRACITE GRAY (SHIPPING UOM 12 OZ HAZ)
CPT00977	1	1	CAPACITOR; DUAL, 35/5 MFD, 440V, ROUND, W/O RESISTOR
SHD00386	2	1	SHIELD; MOISTURE, 12.75 X 5.00
PNL14732	3	1	PANEL; CONTROL PANEL BASE, 27.14 HEIGHT
PLU00984	4	1	PLUG; LOCKING HOLE
CPT02326	5	1	CAPACITOR; START, 112 MFD, 330V, ROUND, W/ RESISTOR
SRP00093	5	1	STRAP;CAPACITOR
RLY03339	6	1	RELAY, START, SPST, 50 A COIL
SHD00387	7	1	SHIELD; MOISTURE, 10.25 X 4.00
CTR00845	8	1	CONTACTOR; 30 AMP, 240/480/600V, 24V COIL, 1 POLE

CABINETY

75006805

REV  
A

Typical Illustration. Unit may not appear exactly as shown.



Parts List Number :75005591#4TTR4UP5

Model Number :4TTR4025L1000AB

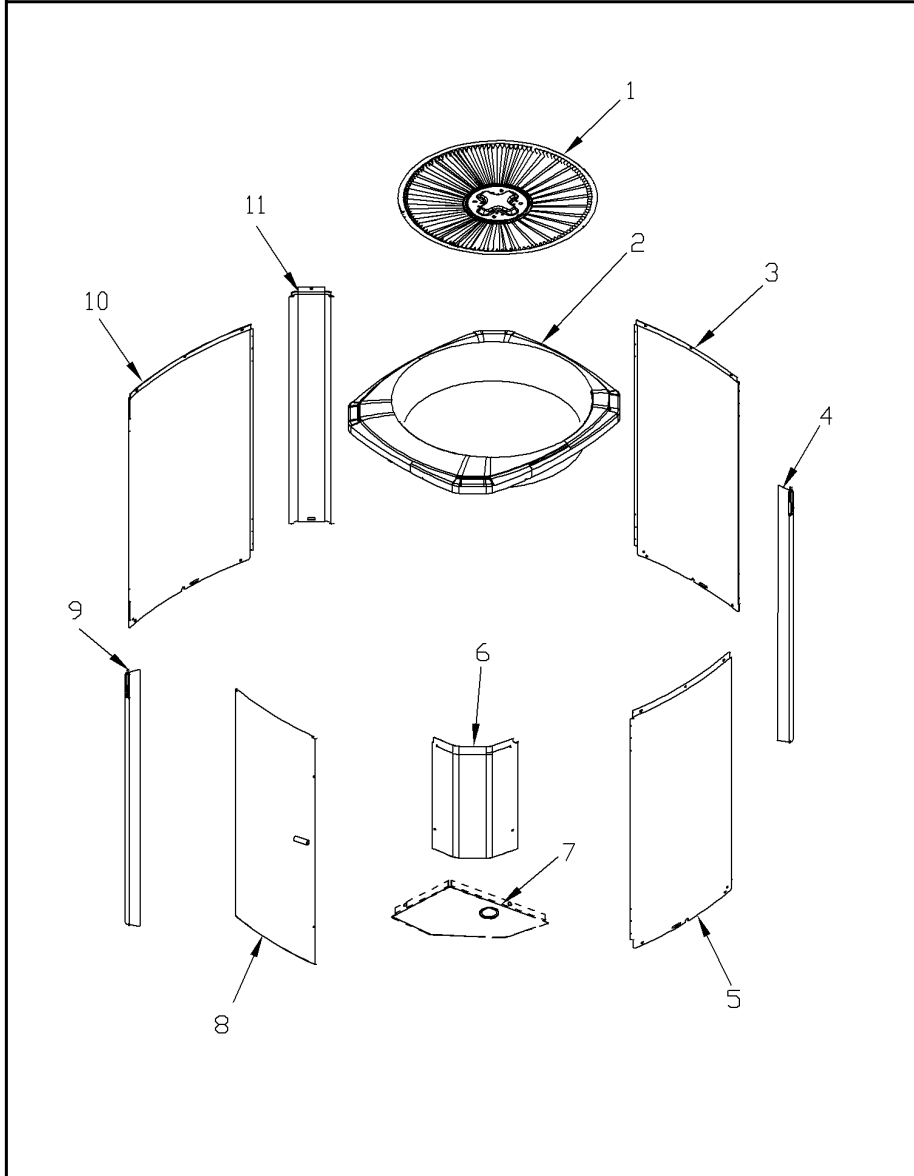
Part No.	Reference No.	Quantity	Description
75006805_4TTR4UP5_257908~P	*		CABINETY PARTS LIST

CABINETY

75006805

REV  
A

Typical Illustration. Unit may not appear exactly as shown.



Part No.	Reference No.	Quantity	Description
BAS02187	*	1	BASE; 31.31 X 31.49 DIAGONALLY
PAI00246	*	1	PAINT; SPRAY, TARPAULIN GRAY (SHIPPING UOM 12 OZ HAZ)
SCR02010	*	16	SCREW; 12-18 AB HXW 1/2 SN
GRL01366	1	1	GRILLE; FAN
COV03357	2	1	COVER; TOP, 28.13 X 25.40
PNL14725	3	1	PANEL; WRAPPER, 25.33 X 16.29, TARPAULIN GRAY, HORIZONTAL LOUVERS
PNL14723	4	1	PANEL; CORNER POST, 25.33 X 3.570
PNL14725	5	1	PANEL; WRAPPER, 25.33 X 16.29, TARPAULIN GRAY, HORIZONTAL LOUVERS
COV03285	6	1	COVER; CONTROLS, 16.18 X 10.99
COV03287	7	1	COVER; CONTROL BOTTOM
PNL14726	8	1	PANEL; ACCESS, 24.65 X 12.02
PNL14723	9	1	PANEL; CORNER POST, 25.33 X 3.570
PNL14724	10	1	PANEL; WRAPPER, 25.33 X 19.55
PNL14723	11	1	PANEL; CORNER POST, 25.33 X 3.570

**MODEL NUMBER DESCRIPTION**  
**OUTDOOR UNITS**

75005586

REV  
E

*Example Model Number:*

**4 TWV 0 0 3 6 A 1 0 0 0 A A**  
1 - - - - 5 - - - - 10 - - - - 15

**Digit 1 – Refrigerant Type**

2 = R-22  
4 = R-410A

**Digit 2 – Trane**

**Digit 3 – Product Type**

W = Split Heat Pump  
T = Split Cooling

**Digit 4 – Product Family**

V = Variable Speed  
Z = Leadership - Two Stage  
X = Leadership  
R = Replacement/Retail  
M or B = Basic  
A = Light Commercial  
L = Side Discharge  
S = Side Discharge 3 Phase

**Digit 5 – Family SEER**

3 = 13    7 = 17  
4 = 14    8 = 18  
5 = 15    9 = 19  
6 = 16    0 = 20

**Digits 6 – Split System Connections 1-6 Tons**

0 = Brazed

**Digits 7,8 – Nominal Capacity in 000s BTUs**

**Digit 9 – Major Design Modifications**

**Digit 10 – Power Supply**

1 = 200-230/1/60 or 208-230/1/60  
3 = 200-230/3/60  
4 = 460/3/60  
5 = 400/3/60  
A = 220-240/1/50  
D = 380-415/3/50

**Digit 11,12,13 – Secondary Function**

**Digit 14 – Minor Design Modifications**

**Digit 15 – Unit Parts Identifier**

Part No.	Reference No.	Quantity	Description
75005586_4TTR4UP5_178355~P	*		MODEL NOMENCLATURE PARTS LIST

MODEL NUMBER DESCRIPTION

75005586

REV  
D

OUTDOOR UNITS

*Example Model Number:*

**4 TWV 00 3 6 A 1 0 0 0 A A**  
1 - - - 5 - - - 10 - - - 15

**Digit 1 – Refrigerant Type**

2 = R-22  
4 = R-410A

**Digit 2 – Trane**

**Digit 3 – Product Type**

W = Split Heat Pump  
T = Split Cooling

**Digit 4 – Product Family**

V = Variable Speed  
Z = Leadership - Two Stage  
X = Leadership  
R = Replacement/Retail  
M or B = Basic  
A = Light Commercial  
L = Side Discharge

**Digit 5 – Family SEER**

3 = 13      7 = 17  
4 = 14      9 = 19  
5 = 15      9 = 19  
6 = 16      0 = 20

**Digits 6 – Split System Connections 1-6 Tons**

0 = Brazed

**Digits 7,8 – Nominal Capacity in 000s BTUs**

**Digit 9 – Major Design Modifications**

**Digit 10 – Power Supply**

1 = 200-230/1/60 or 208-230/1/60  
3 = 200-230/3/60  
4 = 460/3/60

**Digit 11,12,13 – Secondary Function**

**Digit 14 – Minor Design Modifications**

**Digit 15 – Unit Parts Identifier**

Parts List Number :75005591#4TTR4UP5

Model Number :4TTR4025L1000AB

Part No.	Reference No.	Quantity	Description
OPTIONS_4TTR4UP5_257912~P	*		OPTIONAL FIELD INSTALLED ACCESSORIES PARTS LIST

NO GRAPHIC AVAILABLE

75013702

REV  
A

**NO  
GRAPHIC  
AVAILABLE**

Parts List Number :75005591#4TTR4UP5

Model Number :4TTR4025L1000AB

Part No.	Reference No.	Quantity	Description
KIT05354	*	1	KIT; TIME DELAY (TAYASCT501A) - 5 MINUTE RELAY ONLY IS RLY01343
KIT06322	*	1	KIT; LOW TEMP COOLING (AY28X079)
KIT07731	*	1	KIT; SNOW LEGS, CONTAINS (4) 6" MOUNTING LEGS (BAYLEGS002)
KIT07732	*	1	KIT; SNOW LEGS, (4" EXTENSION KIT) (BAYLEGS003)
KIT08036	*	1	KIT; SEA COAST (BAYSEAC001)
KIT08087	*	1	KIT; HEAD PRESSURE (BAYLOAM103)
KIT08412	*	1	KIT; SOUND ENCLOSURE, (BAYSDEN003), (MODELS WITH SMALL FRAME (QUANTUM) SCROLL COMPRESSORS NO LARGER THAN 16.4" TALL OR 6.6" IN DIAMETER EXCEPT IN CABINET HEIGHTS 25.0" OR SHORTER)
KIT09425	*	1	KIT; ISOLATOR (BAYISLT101) (CONTAINS A QTY OF 5 ISOLATORS)
KIT15282	*	1	KIT; EXTREME MOUNTING CONDITION (BAYECMT023)
KIT15752	*	1	KIT; SUMP HEATER, 208/230V, 40W, BELLY BAND STYLE (BAYCCHT302), 74 IN LENGTH, 5.5 INCH DIA
PAI00309	*	1	PAINT; DARK BROWN, 12 OZ SPRAY CAN, HERESITE AIR DRY PHENOLIC COATING, VR-554T