

Part No.	Reference No.	Quantity	Description
0000170010~S	*		CABINET
0000193467~S	*		COMPRESSOR MOUNTING
0000170009~S	*		COMPRESSOR
0000170008~S	*		CONTROLS
0000170007~S	*		FAN
0000170005~S	*		MODEL NUMBER DESCRIPTION
0000170006~S	*		REFIGERATION

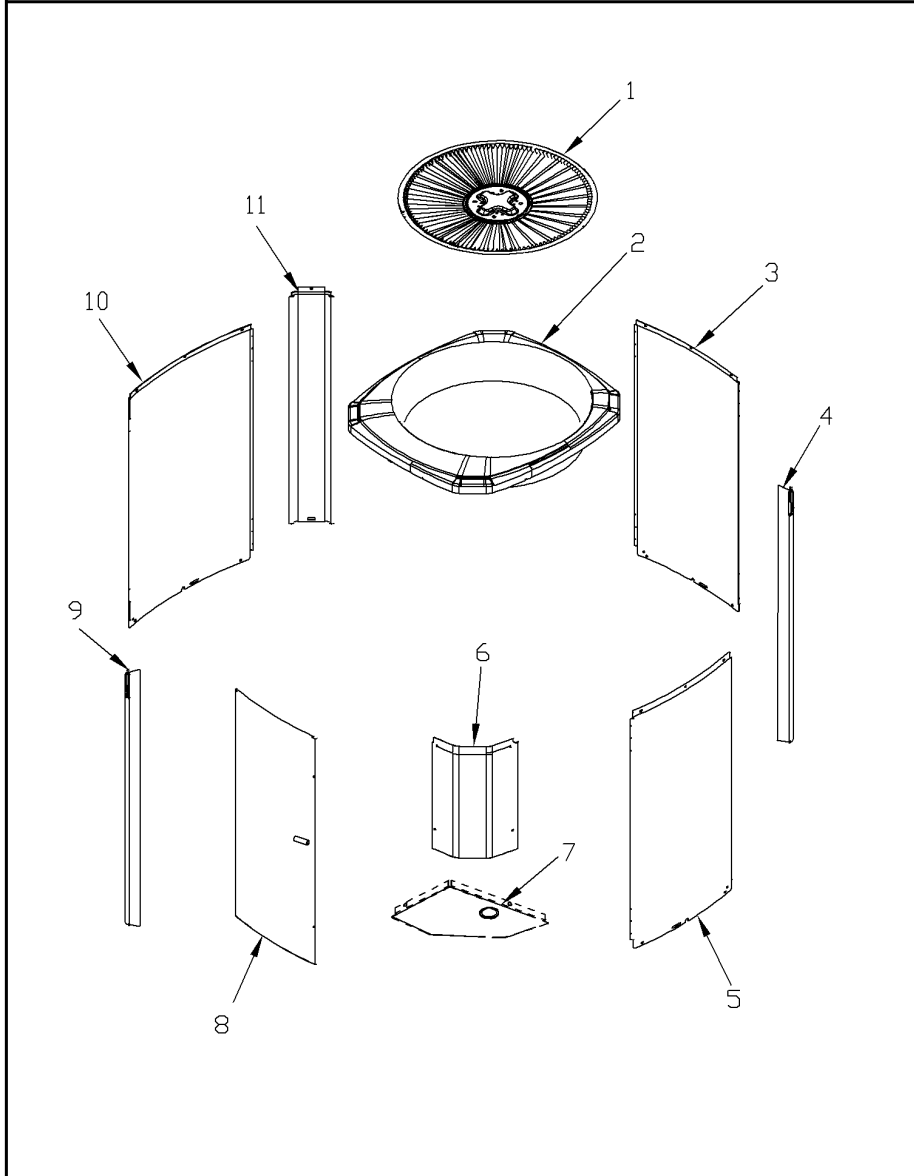
Part No.	Reference No.	Quantity	Description
0000030393~P	*		CABINETRY PARTS LIST

CABINETY

75006805

REV
A

Typical Illustration. Unit may not appear exactly as shown.



Part No.	Reference No.	Quantity	Description
BAS02187	*	1	BASE; 31.31 X 31.49 DIAGONALLY
PAI00246	*	0	PAINT; SPRAY, TARPAULIN GRAY (SHIPPING UOM 12 OZ HAZ)
SCR02010	*	16	SCREW; 12-18 AB HXW 1/2 SN
SCR02054	*	16	SCREW; 12-18 AB HXW 1/2 SN
COV03357	2	1	COVER; TOP, 28.13 X 25.40
PNL14725	3	2	PANEL; WRAPPER, 25.33 X 16.29, TARPAULIN GRAY, HORIZONTAL LOUVERS
PNL14723	4	1	PANEL; CORNER POST, 25.33 X 3.570
PNL14725	5	1	PANEL; WRAPPER, 25.33 X 16.29, TARPAULIN GRAY, HORIZONTAL LOUVERS
COV03285	6	1	COVER; CONTROLS, 16.18 X 10.99
COV03287	7	1	COVER; CONTROL BOTTOM
PNL14726	8	1	PANEL; ACCESS, 24.65 X 12.02
PNL14723	9	3	PANEL; CORNER POST, 25.33 X 3.570
PNL14724	10	1	PANEL; WRAPPER, 25.33 X 19.55
PNL14723	11	1	PANEL; CORNER POST, 25.33 X 3.570

COMPRESSOR

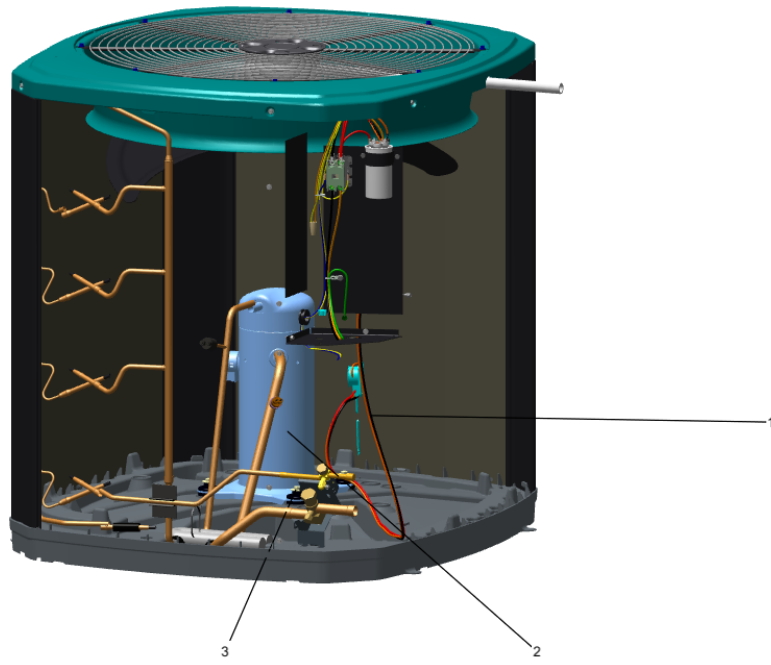
Parts List Number :0000169984

Model Number :4TTR4018L1000AC

Part No.	Reference No.	Quantity	Description
0000039265~P	*		SCROLL COMPRESSOR

Part No.	Reference No.	Quantity	Description
COM13535		1	COMPRESSOR; SCROLL, SBA014C1CAA

Part No.	Reference No.	Quantity	Description
0000041298~P	*		COMPRESSOR MTG-SCROLL



Part No.	Reference No.	Quantity	Description
ISR00007		4	ISOLATOR; VIBRATION
SCR01914		4	SCREW, ASSEMBLY COMPRESSOR, 5/16-12 TYPE B, W/WASHER & SLEEVE
KIT08039	3	4	KIT; GROMMETS. COMPRESSOR MOUNTING. (CONSISTS OF 4), 0.44 ID X 1.63 OD NEOPRENE RUBBER-BLACK 45-55 DUROMETER

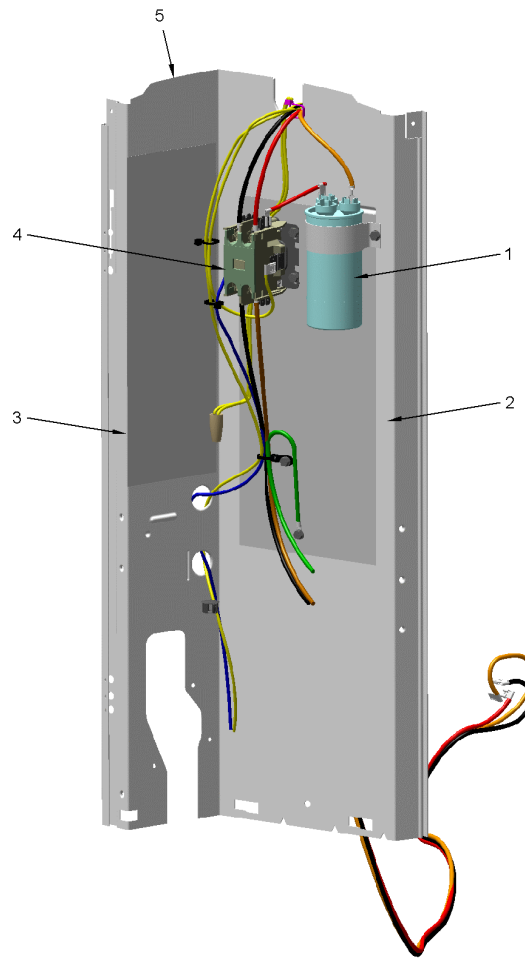
Part No.	Reference No.	Quantity	Description
0000045767~P	*		CONTROLS-COOLING

CONTROLS

75010701

REV
A

TYPICAL ILLUSTRATION



Part No.	Reference No.	Quantity	Description
CON00241	*	1	CONNECTOR; WIRE
PAI00246	*	0	PAINT; SPRAY, TARPAULIN GRAY (SHIPPING UOM 12 OZ HAZ)
PLU00984	*	1	PLUG; LOCKING HOLE
PLU01186	*	1	PLUG; SCROLL COMPRESSOR
SCR01918	*	5	SCREW, 10-24 THREAD ROLL, INDENT HEX WASHER HD
SRP00269	*	1	STRAP; CAPACITOR
TER00312	*	1	TERMINAL; 8IN. TIE CABLE
TIE00007	*	1	TIE;CABLE
CPT00977	1	1	CAPACITOR; DUAL, 35/5 MFD, 440V, ROUND, W/O RESISTOR
SHD00387	2	1	SHIELD; MOISTURE, 10.25 X 4.00
CTR02579	4	1	CONTACTOR; 1P 30A 24VAC / SCREWS
PNL14732	5	1	PANEL; CONTROL PANEL BASE, 27.14 HEIGHT

Part No.	Reference No.	Quantity	Description
0000030327~P	*		AIR SYSTEM

FAN

75010673

REV
A

TYPICAL ILLUSTRATION



Part No.	Reference No.	Quantity	Description
FAN06513	1	1	FAN; TR2R30-2
MOT20226	2	1	MOTOR; 1/8 HP 48 FRAME PSC
GRL01366	3	1	GRILLE; FAN
SCR02086	4	4	SCREW; 10-32 TR-3 HXW 3/8 S
GRD01440	5	1	GUARD; TROUGH-LEAD

Part No.	Reference No.	Quantity	Description
0000036907~P	*		MODEL NUMBER DESCRIPTION PARTS LIST

MODEL NUMBER DESCRIPTION

75005586

REV
D

OUTDOOR UNITS

Example Model Number:

4 TWV 00 3 6 A 1 0 0 0 A A
1 - - - 5 - - - 10 - - - 15

Digit 1 – Refrigerant Type

2 = R-22
4 = R-410A

Digit 2 – Trane

Digit 3 – Product Type

W = Split Heat Pump
T = Split Cooling

Digit 4 – Product Family

V = Variable Speed
Z = Leadership - Two Stage
X = Leadership
R = Replacement/Retail
M or B = Basic
A = Light Commercial
L = Side Discharge

Digit 5 – Family SEER

3 = 13 7 = 17
4 = 14 9 = 19
5 = 15 9 = 19
6 = 16 0 = 20

Digits 6 – Split System Connections 1-6 Tons

0 = Brazed

Digits 7,8 – Nominal Capacity in 000s BTUs

Digit 9 – Major Design Modifications

Digit 10 – Power Supply

1 = 200-230/1/60 or 208-230/1/60
3 = 200-230/3/60
4 = 460/3/60

Digit 11,12,13 – Secondary Function

Digit 14 – Minor Design Modifications

Digit 15 – Unit Parts Identifier

Part No.	Reference No.	Quantity	Description
0000041626~P	*		REFRIGERANT PARTS LIST
0000045041~P	*		REFRIGERANT SYSTEM

Part No.	Reference No.	Quantity	Description
BRK03696	*	1	BRACKET; VALVE
CAP00156	*	0	CAP, TUBE PLUG, .447-.513 OD
COL28467	*	0	COIL; CONDENSER, SPINE FIN
PAI00246	*	0	PAINT; SPRAY, TARPAULIN GRAY (SHIPPING UOM 12 OZ HAZ)
PLU00413	*	0	PLUG; TUBE
SCR02010	*	3	SCREW; 12-18 AB HXW 1/2 SN
SCR02054	*	3	SCREW; 12-18 AB HXW 1/2 SN
SLV00082	*	0	SLEEVE;
SLV00083	*	0	SLEEVE;
SWT04656	*	1	SWITCH; LOW PRESSURE BZ
TER00312	*	0	TERMINAL; 8IN. TIE CABLE
TIE00007	*	0	TIE;CABLE
TIE00023	*	2	TIE;CABLE, 8.00IN.
TUB02810	*	14	TUBE; TRANSITION
VAL20231	*	1	VALVE; SER GAS O (14-14-14)
VAL20722	*	1	VALVE-SER LIQ O(06-06), A.8
CAP01412	1	1	CAP; SERVICE VALVE, BRASS, 1.00 OD X 0.57 ID X M18 X 1-6H
CAP01336	2	1	CAP; SERVICE LIQUID VALVE, BRASS, 0.75 OD X 0.57 ID X 11/16-28UN-2B
SWT03273	3	1	SWITCH, HIGH PRESSURE, SPST, OPEN @ 650 PSIG, CLOSE @ 500 PSIG, 88" YELLOW LEAD
TUB11547	4	14	TUBE; TRANSITION ASSEMBLY
TUB15869	4a	1	TUBE; TU ASM-DISCHARGE BZ

Part No.	Reference No.	Quantity	Description
BRK03696	*	1	BRACKET; VALVE
COL25245	*	0	COIL; OUTDOOR, SPINE FIN
PAI00246	*	0	PAINT; SPRAY, TARPAULIN GRAY (SHIPPING UOM 12 OZ HAZ)
PLU00413	*	0	PLUG; TUBE
SCR02010	*	4	SCREW; 12-18 AB HXW 1/2 SN
SCR02054	*	4	SCREW; 12-18 AB HXW 1/2 SN
SLV00082	*	0	SLEEVE;
SLV00083	*	0	SLEEVE;
SPC00382	*	3	SPACER; ORIFICE
SWT04681	*	1	SWITCH; LOW PRESSURE BZ
TER00312	*	0	TERMINAL; 8IN. TIE CABLE
TIE00007	*	0	TIE;CABLE
TIE00023	*	2	TIE;CABLE, 8.00IN.
VAL20350	*	1	VALVE; SER GAS O(10-12)
VAL20722	*	1	VALVE-SER LIQ O(06-06), A.8
PLU00414		0	PLUG;TUBE
CAP01336	1	1	CAP; SERVICE LIQUID VALVE, BRASS, 0.75 OD X 0.57 ID X 11/16-28UN-2B
CAP01315	2	1	CAP; SERVICE LIQUID VALVE, BRASS, 1.06 OD X 0.81 ID X 15/16-20UNEF-2B
SWT03274	3	1	SWITCH, HIGH PRESSURE, SPST, OPEN @ 650 PSIG, CLOSE @ 500 PSIG, 75" YELLOW LEAD
TUB02810	4	4	TUBE; TRANSITION
TUB11547	4a	4	TUBE; TRANSITION ASSEMBLY