

GENERAL ASSEMBLY

75005591

REV
A

Typical Illustration. Unit may not appear exactly as shown.



Part No.	Reference No.	Quantity	Description
75006805#4TTR3UP6~S	*		CABINTRY
75005597#4TTR3UP6~S	*		CONTROLS
75005599#4TTR3UP6~S	*		FAN
75005591_4TTR3UP6_142343~P	*		GENERAL ASSEMBLY PARTS LIST
75005586#4TTR3UP6~S	*		MODEL NOMENCLATURE
OPTIONS#4TTR3UP6~S	*		OPTIONAL ACCESSORIES
75009224#4TTR3UP6~S	*		REFRIGERATION

GENERAL ASSEMBLY

75005591

REV
A

Typical Illustration. Unit may not appear exactly as shown.



REFRIGERATION

75009224

REV
A

Typical Illustration. Unit may not appear exactly as shown.



Parts List Number :75005591#4TTR3UP6

Model Number :4TTR3049A1000NA

Part No.	Reference No.	Quantity	Description
75009224_4TTR3UP6_170720~P	*		REFRIGERATION PARTS LIST

REFRIGERATION

75009224

REV
A

Typical Illustration. Unit may not appear exactly as shown.



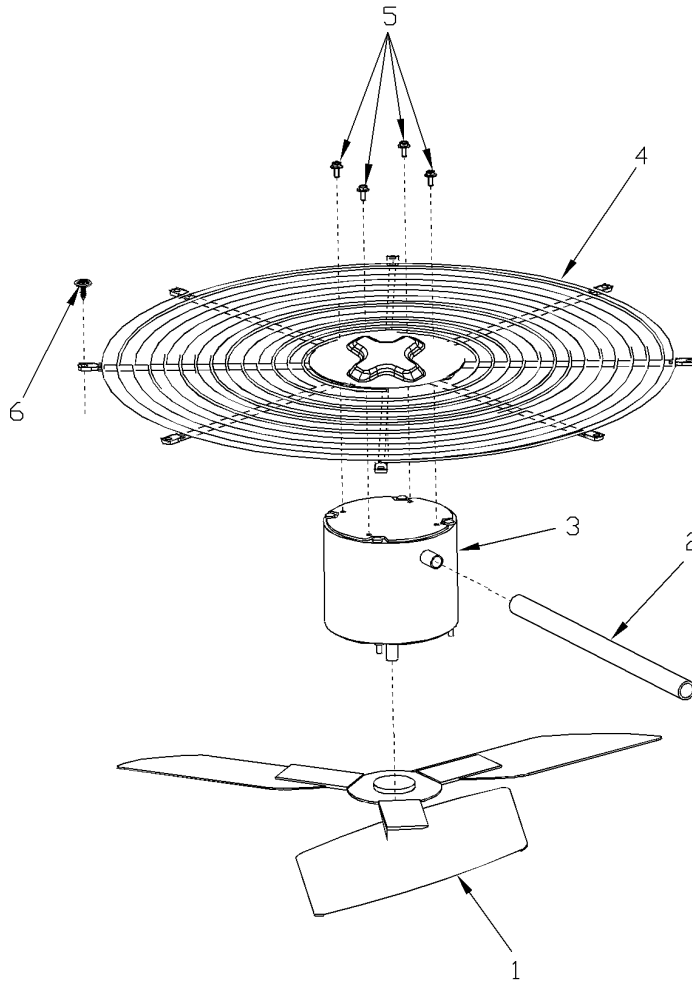
Part No.	Reference No.	Quantity	Description
ISR00007	*	4	ISOLATOR; VIBRATION
SCR01914	*	4	SCREW, ASSEMBLY COMPRESSOR, 5/16-12 TYPE B, W/WASHER & SLEEVE
SPC00386	*	1	SPACER; BASE, 5.50 X 1.00 X 0.50
SPC00512	*	3	SPACER; TUBING
SPC00513	*	3	SPACER; COIL
SWT03273	*	1	SWITCH, HIGH PRESSURE, SPST, OPEN @ 650 PSIG, CLOSE @ 500 PSIG, 88" YELLOW LEAD
SWT03347	*	1	SWITCH; LOW PRESSURE, OPEN @ 50 PSIG CLOSE @ 70 PSIG
TUB11547	*	10	TUBE; TRANSITION ASSEMBLY
WIR03324	*	1	WIRE, PLUG-SCROLL COMPRESSOR
WIR03326	*	1	WIRE, PLUG-SCROLL COMPRESSOR
COL25249	1	1	COIL; OUTDOOR, SPINE FIN
COM11528	2	1	COMPRESSOR; SCROLL, ALLIANCE, SBA040B1CPZ, 3.5 TON, 40,000 BTUH, 208/230-60-1, R410-A, BRAZED, SUCTION 7/8, DISCHARGE 1/2, RLA 20.6
VAL09293	3	1	VALVE, SERVICE LIQUID, .38 OD X .38 OD, VALVE ASSY
VAL11774	4	1	VALVE; SERVICE GAS ASSEMBLY, 0.88 ODS X 0.88 ODS, WITH 0.25 SAE SERVICE PORT SERVICE
BRK03696	5	1	BRACKET; VALVE
DHY01457	6	1	DRIER; LIQUID LINE; SERVICE FIRST; 5 CU. IN.; 5.4 TON CAPACITY; 3/8" ODF INLET X 3/8" ODF OUTLET; APPROVED FOR MINERAL OIL AND POE OIL REFRIGERANTS

FAN

75005599

REV
A

Typical Illustration. Unit may not appear exactly as shown.



Parts List Number :75005591#4TTR3UP6

Model Number :4TTR3049A1000NA

Part No.	Reference No.	Quantity	Description
75005599_4TTR3UP6_170718~P	*		FAN PARTS LIST

FAN

75005599

REV
A

Typical Illustration. Unit may not appear exactly as shown.



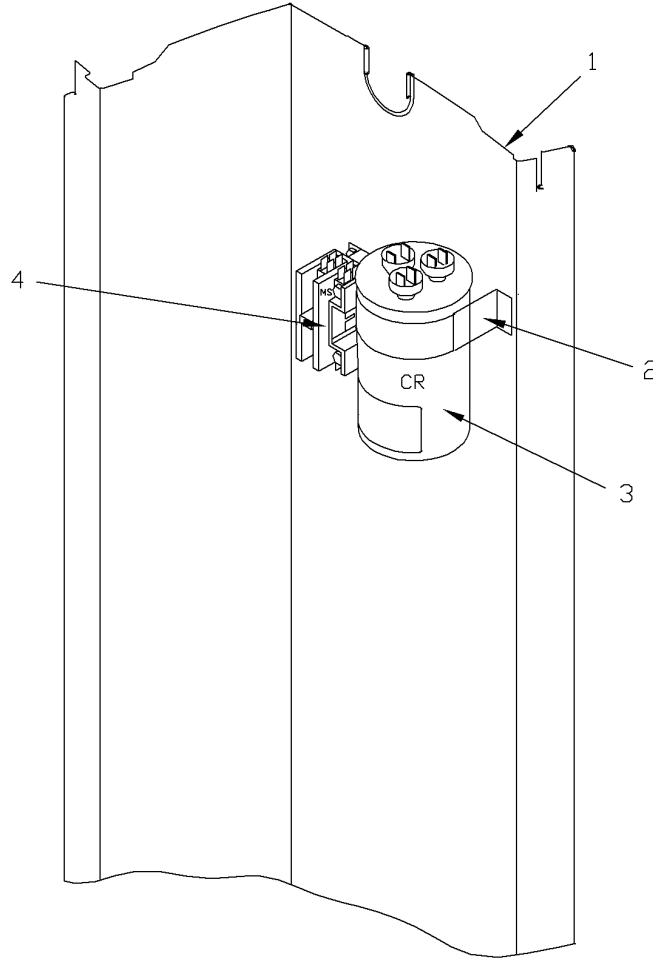
Part No.	Reference No.	Quantity	Description
COV03250	*	1	COVER; MOTOR, 6.86 DIA
FAN04460	1	1	FAN; 2 SWEPT BLADES, 27.5" DIA, 25.2 DEG PITCH, 0.50" BORE, CCW, ALUMINUM, 1 SET SCREW-STEEL, SPIDER 0.075 THK
GRD01416	2	1	GUARD, TROUGH-LEAD
MOT17346	3	1	MOTOR; 1/5 HP - 48 FRAME
GRL01348	4	1	GRILLE; FAN, 29 IN DIA, SPIRAL WIRE, BASALT GREY
SCR02086	5	4	SCREW; 10-32 TR-3 HXW 3/8 S

CONTROLS

75005597

REV
A

Typical Illustration. Unit may not appear exactly as shown.



Parts List Number :75005591#4TTR3UP6

Model Number :4TTR3049A1000NA

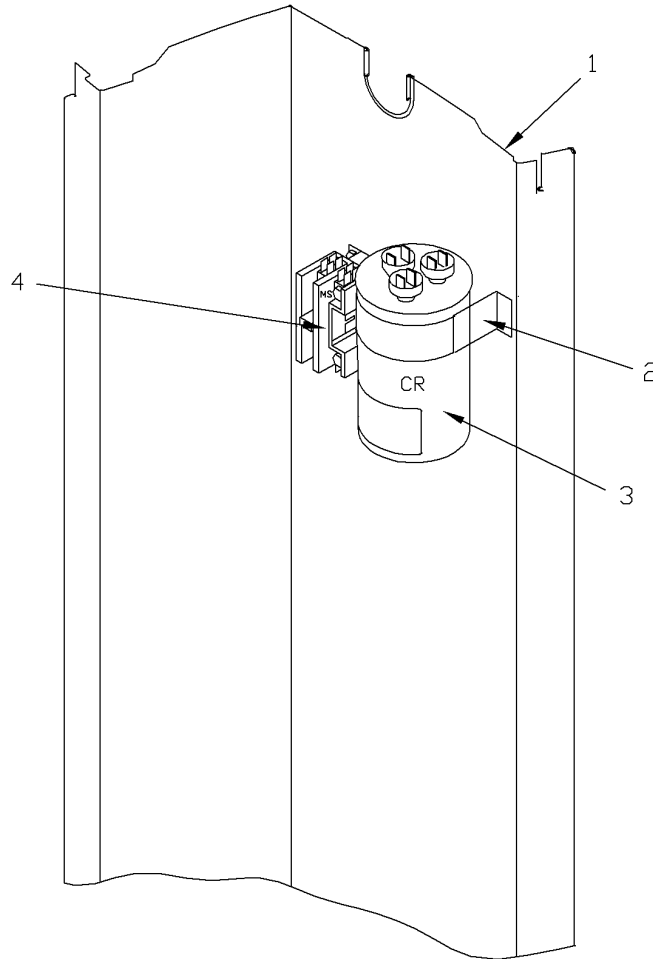
Part No.	Reference No.	Quantity	Description
75005597_4TTR3UP6_170717~P	*		CONTROLS PARTS LIST

CONTROLS

75005597

REV
A

Typical Illustration. Unit may not appear exactly as shown.



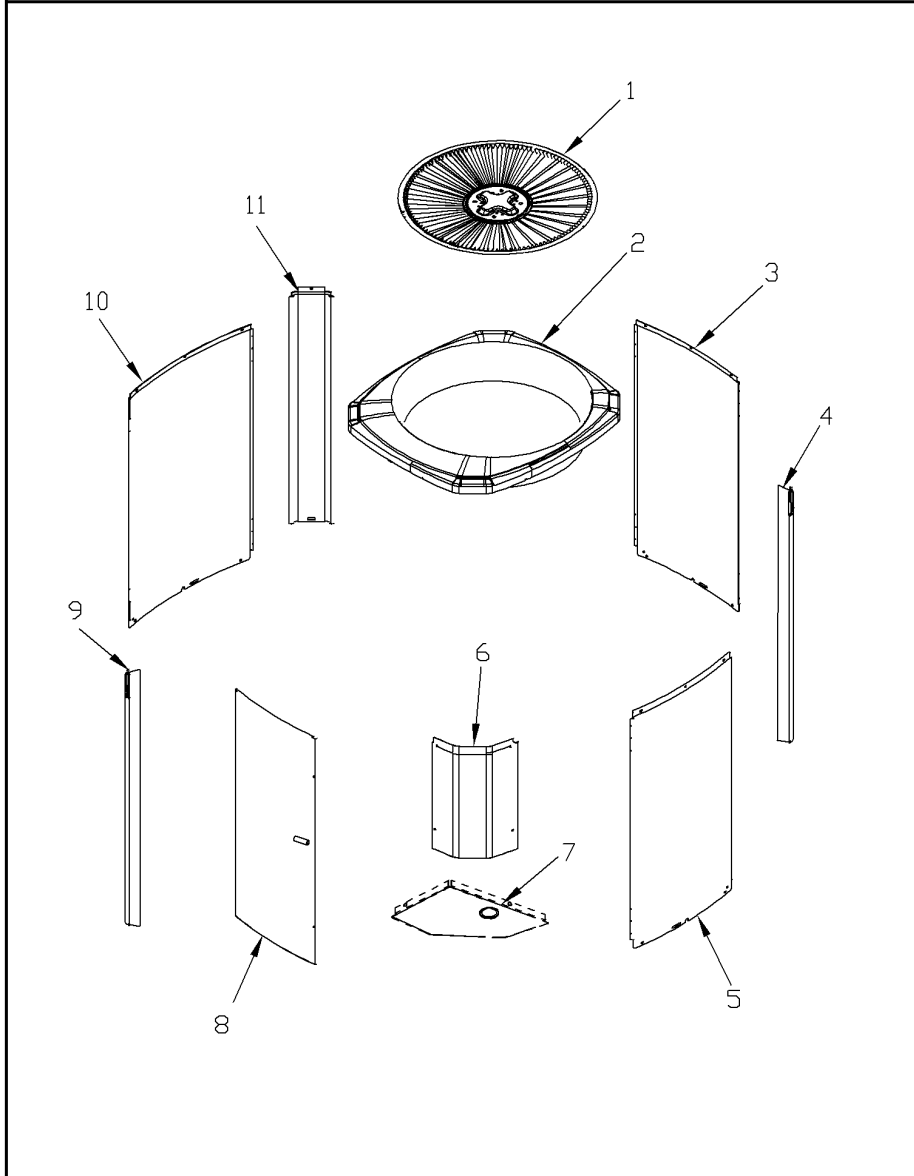
Part No.	Reference No.	Quantity	Description
PAI00248	*	1	PAINT; 12 OZ SPRAY, ANTHRACITE GRAY (SHIPPING UOM 12 OZ HAZ)
SCR01918	*	10	SCREW, 10-24 THREAD ROLL, INDENT HEX WASHER HD
SHD00386	*	1	SHIELD; MOISTURE, 12.75 X 5.00
SHD00387	*	1	SHIELD; MOISTURE, 10.25 X 4.00
PNL21731	1	1	PANEL, CONTROL PANEL, 27.14 HEIGHT
CPT01842	3	1	CAPACITOR, RUN, 45/7.5 MFD, 370V, ROUND, W/O RESISTOR
CTR00845	4	1	CONTACTOR; 30 AMP, 240/480/600V, 24V COIL, 1 POLE

CABINETY

75006805

REV
A

Typical Illustration. Unit may not appear exactly as shown.



Parts List Number :75005591#4TTR3UP6

Model Number :4TTR3049A1000NA

Part No.	Reference No.	Quantity	Description
75006805_4TTR3UP6_170719~P	*		CABINERY PARTS LIST

CABINETY

75006805

REV
A

Typical Illustration. Unit may not appear exactly as shown.



Part No.	Reference No.	Quantity	Description
BAS01834	*	1	BASE; 41.78 X 41.81 DIAGONALLY
PAI00246	*	1	PAINT; SPRAY, TARPAULIN GRAY (SHIPPING UOM 12 OZ HAZ)
PLT04086	*	1	PLATE; NAMEPLATE-TRANE LOGO, 9.0 X 1.82. THIS BADGE DOES NOT INCLUDE THE XR1# INSERT. FOR COMPLETE BADGE ORDER PLT03603, PLT04109 OR PLT04079.
SCR02010	*	15	SCREW; 12-18 AB HXW 1/2 SN
GRL01348	1	1	GRILLE; FAN, 29 IN DIA, SPIRAL WIRE, BASALT GREY
COV03396	2	1	COVER; TOP
PNL14723	4	1	PANEL; CORNER POST, 25.33 X 3.570
PNL23808	5	1	PANEL; WRAPPER, 23.14 X 25.33
COV03224	6	1	COVER, CONTROL, 11.32 X 18.11
COV03228	7	1	COVER, CONTROL BOTTOM
PNL26768	8	1	PANEL, ACCESS, 19.84 X 24.6 INCHES
PNL14723	9	1	PANEL; CORNER POST, 25.33 X 3.570
PNL26769	10	1	PANEL; WRAPPER, 27 X 25.3 INCHES
PNL14723	11	1	PANEL; CORNER POST, 25.33 X 3.570

MODEL NUMBER DESCRIPTION
OUTDOOR UNITS

75005586

REV
E

Example Model Number:

4 TWV 0 0 3 6 A 1 0 0 0 A A
1 - - - - 5 - - - - 10 - - - - 15

Digit 1 – Refrigerant Type

- 2 = R-22
- 4 = R-410A

Digit 2 – Trane

Digit 3 – Product Type

- W = Split Heat Pump
- T = Split Cooling

Digit 4 – Product Family

- V = Variable Speed
- Z = Leadership - Two Stage
- X = Leadership
- R = Replacement/Retail
- M or B = Basic
- A = Light Commercial
- L = Side Discharge
- S = Side Discharge 3 Phase

Digit 5 – Family SEER

- 3 = 13 7 = 17
- 4 = 14 8 = 18
- 5 = 15 9 = 19
- 6 = 16 0 = 20

Digits 6 – Split System Connections 1-6 Tons

- 0 = Brazed

Digits 7,8 – Nominal Capacity in 000s BTUs

Digit 9 – Major Design Modifications

Digit 10 – Power Supply

- 1 = 200-230/1/60 or 208-230/1/60
- 3 = 200-230/3/60
- 4 = 460/3/60
- 5 = 400/3/60
- A = 220-240/1/50
- D = 380-415/3/50

Digit 11,12,13 – Secondary Function

Digit 14 – Minor Design Modifications

Digit 15 – Unit Parts Identifier

Part No.	Reference No.	Quantity	Description
75005586_4TTR3UP6_142345~P	*		MODEL NOMENCLATURE PARTS LIST

MODEL NUMBER DESCRIPTION

75005586

REV
D

OUTDOOR UNITS

Example Model Number:

4 TWV 00 3 6 A 1 0 0 0 A A
1 - - - 5 - - - 10 - - - 15

Digit 1 – Refrigerant Type

2 = R-22
4 = R-410A

Digit 2 – Trane

Digit 3 – Product Type

W = Split Heat Pump
T = Split Cooling

Digit 4 – Product Family

V = Variable Speed
Z = Leadership - Two Stage
X = Leadership
R = Replacement/Retail
M or B = Basic
A = Light Commercial
L = Side Discharge

Digit 5 – Family SEER

3 = 13 7 = 17
4 = 14 9 = 19
5 = 15 9 = 19
6 = 16 0 = 20

Digits 6 – Split System Connections 1-6 Tons

0 = Brazed

Digits 7,8 – Nominal Capacity in 000s BTUs

Digit 9 – Major Design Modifications

Digit 10 – Power Supply

1 = 200-230/1/60 or 208-230/1/60
3 = 200-230/3/60
4 = 460/3/60

Digit 11,12,13 – Secondary Function

Digit 14 – Minor Design Modifications

Digit 15 – Unit Parts Identifier

OPTIONAL ACCESSORIES

Parts List Number :75005591#4TTR3UP6

Model Number :4TTR3049A1000NA

Part No.	Reference No.	Quantity	Description
OPTIONS_4TTR3UP6_170721~P	*		OPTIONAL ACCESSORIES PARTS LIST

NO GRAPHIC AVAILABLE

75013702

REV
A

**NO
GRAPHIC
AVAILABLE**

Part No.	Reference No.	Quantity	Description
BAYKSKT263	*	1	KIT; COMPRESSOR START KIT
KIT05354	*	1	KIT; TIME DELAY (TAYASCT501A) - 5 MINUTE RELAY ONLY IS RLY01343
KIT06322	*	1	KIT; LOW TEMP COOLING (AY28X079)
KIT07731	*	1	KIT; SNOW LEGS, CONTAINS (4) 6" MOUNTING LEGS (BAYLEGS002)
KIT07732	*	1	KIT; SNOW LEGS, (4" EXTENSION KIT) (BAYLEGS003)
KIT07908	*	1	KIT; START ASSEMBLY (BAYKSKT260)
KIT08036	*	1	KIT; SEA COAST (BAYSEAC001)
KIT08087	*	1	KIT; HEAD PRESSURE (BAYLOAM103)
KIT08164	*	1	KIT; SUMP HEATER, 208/230V, BELLYBAND STYLE FOR SCROLL COMPRESSORS (BAYCCHT301), 6.5/7.5 DIA, 74 IN LENGTH
KIT08412	*	1	KIT; SOUND ENCLOSURE, (BAYSDEN003), (MODELS WITH SMALL FRAME (QUANTUM) SCROLL COMPRESSORS NO LARGER THAN 16.4" TALL OR 6.6" IN DIAMETER EXCEPT IN CABINET HEIGHTS 25.0" OR SHORTER)
KIT09425	*	1	KIT; ISOLATOR (BAYISLT101) (CONTAINS A QTY OF 5 ISOLATORS)
KIT15190	*	1	KIT; EXTREME MOUNTING CONDITION (BAYECMT004).
PAI00309	*	1	PAINT; DARK BROWN, 12 OZ SPRAY CAN, HERESITE AIR DRY PHENOLIC COATING, VR-554T