

<b>Part No.</b>	<b>Reference No.</b>	<b>Quantity</b>	<b>Description</b>
0000127511~S	*		CABINET
0000127510~S	*		CONTROLS
0000127509~S	*		FAN
0000127507~S	*		GENERAL ASSEMBLY
0000127512~S	*		MODEL NUMBER DESCRIPTION
0000127513~S	*		OPTIONAL ACCESSORIES
0000127508~S	*		REFRIGERATION

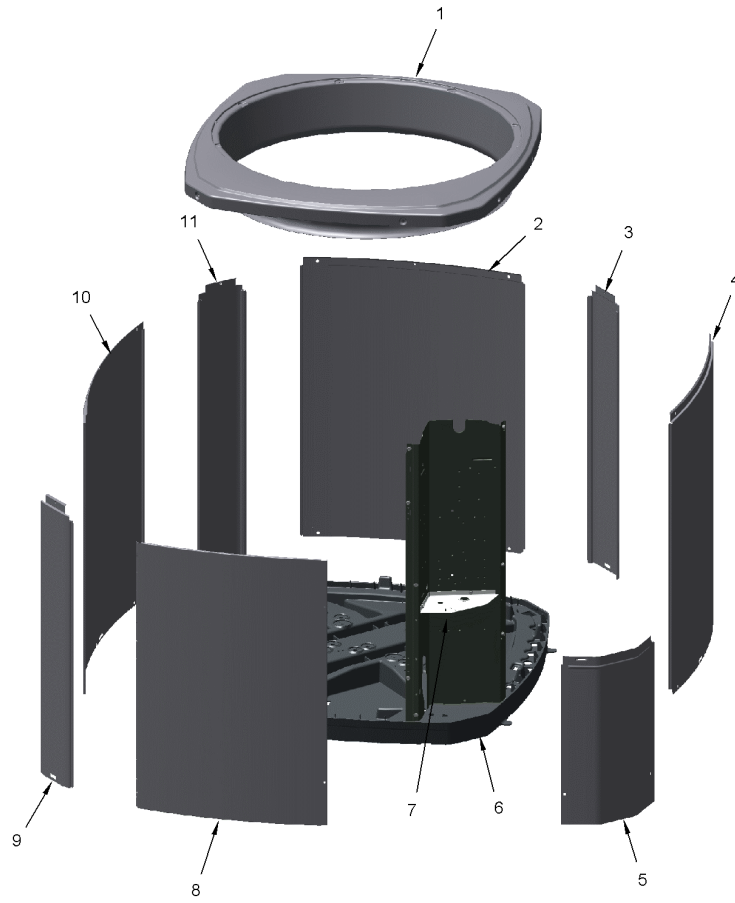
Part No.	Reference No.	Quantity	Description
0000023316~P	*		CABINET PARTS LIST

CABINET

75010774

REV.  
A

TYPICAL ILLUSTRATION



Part No.	Reference No.	Quantity	Description
PAI00246	*	1	PAINT; SPRAY, TARPAULIN GRAY (SHIPPING UOM 12 OZ HAZ)
PLT04086	*	1	PLATE; NAMEPLATE-TRANE LOGO, 9.0 X 1.82. THIS BADGE DOES NOT INCLUDE THE XR1# INSERT. FOR COMPLETE BADGE ORDER PLT03603, PLT04109 OR PLT04079.
SCR02010	*	15	SCREW; 12-18 AB HXW 1/2 SN
COV03358	1	1	COVER; TOP, 32.36 X 29.40
PNL14724	2	1	PANEL; WRAPPER, 25.33 X 19.55
PNL14723	3	1	PANEL; CORNER POST, 25.33 X 3.570
PNL14724	4	1	PANEL; WRAPPER, 25.33 X 19.55
COV03224	5	1	COVER, CONTROL, 11.32 X 18.11
BAS01833	6	1	BASE; 36.26 X 36.41 DIAGONALLY
COV03228	7	1	COVER, CONTROL BOTTOM
PNL23809	8	1	PANEL; ACCESS, 15.69 X 24.65
PNL14723	9	1	PANEL; CORNER POST, 25.33 X 3.570
PNL23808	10	1	PANEL; WRAPPER, 23.14 X 25.33
PNL14723	11	1	PANEL; CORNER POST, 25.33 X 3.570

Part No.	Reference No.	Quantity	Description
0000023318~P	*		CONTROLS PARTS LIST

CONTROLS

75010701

REV  
A

TYPICAL ILLUSTRATION



<b>Part No.</b>	<b>Reference No.</b>	<b>Quantity</b>	<b>Description</b>
CON00241	*	1	CONNECTOR; WIRE
PAI00246	*	1	PAINT; SPRAY, TARPAULIN GRAY (SHIPPING UOM 12 OZ HAZ)
PLU00984	*	1	PLUG; LOCKING HOLE
CPT02380	1	1	CAPACITOR; DUAL, 45/5 MFD, 370V, ROUND, W/O RESISTOR
SRP00269	1a	1	STRAP; CAPACITOR
SHD00386	2	1	SHIELD; MOISTURE, 12.75 X 5.00
SHD00387	3	1	SHIELD; MOISTURE, 10.25 X 4.00
CTR00845	4	1	CONTACTOR; 30 AMP, 240/480/600V, 24V COIL, 1 POLE
PNL21731	5	1	PANEL, CONTROL PANEL, 27.14 HEIGHT

Part No.	Reference No.	Quantity	Description
0000023319~P	*		FAN PARTS LIST

FAN

75010673

REV  
A

TYPICAL ILLUSTRATION



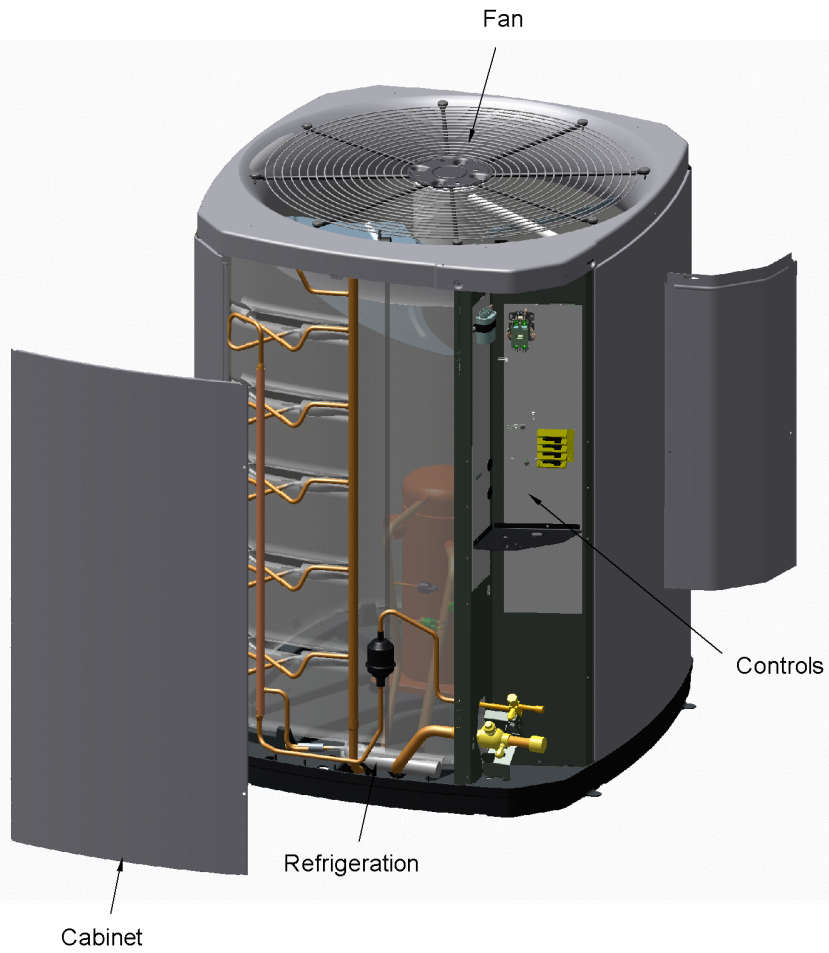
Part No.	Reference No.	Quantity	Description
COV03250	*	1	COVER; MOTOR, 6.86 DIA
FAN04634	1	1	FAN; 2 SWEPT BLADES, 23 IN DIA, 28 DEG PITCH, .50 IN BORE, CCW, ALUMINUM, 1 SET SCREW-STEEL, SPIDER .050 THK
MOT17918	2	1	MOTOR; 1/8 HP, 200/230/60/1, 825 RPM, 48 FRAME, PSC, SLEEVE BEARING, CCW
GRL01347	3	1	GRILLE; FAN, 25.51 MOUNTING DIA
SCR02086	4	4	SCREW; 10-32 TR-3 HXW 3/8 S
GRD01415	5	1	GUARD, TROUGH-LEAD

Part No.	Reference No.	Quantity	Description
0000011040~P	*		GENERAL ASSEMBLY GRAPHIC

SPLIT SYSTEM COOLING

75011195

REV.  
A



This is a typical illustration. The unit in the field may not appear exactly as shown.

Part No.	Reference No.	Quantity	Description
000006277~P	*		MODEL NUMBER GRAPHIC

MODEL NUMBER DESCRIPTION

75005586

REV.  
D

OUTDOOR UNITS

*Example Model Number:*

**4 TWV 00 3 6 A 1 0 0 0 A A**  
1 - - - 5 - - - 10 - - - 15

**Digit 1 – Refrigerant Type**

2 = R-22  
4 = R-410A

**Digit 2 – Trane**

**Digit 3 – Product Type**

W = Split Heat Pump  
T = Split Cooling

**Digit 4 – Product Family**

V = Variable Speed  
Z = Leadership - Two Stage  
X = Leadership  
R = Replacement/Retail  
M or B = Basic  
A = Light Commercial  
L = Side Discharge

**Digit 5 – Family SEER**

3 = 13      7 = 17  
4 = 14      9 = 19  
5 = 15      9 = 19  
6 = 16      0 = 20

**Digits 6 – Split System Connections 1-6 Tons**

0 = Brazed

**Digits 7,8 – Nominal Capacity in 000s BTUs**

**Digit 9 – Major Design Modifications**

**Digit 10 – Power Supply**

1 = 200-230/1/60 or 208-230/1/60  
3 = 200-230/3/60  
4 = 460/3/60

**Digit 11,12,13 – Secondary Function**

**Digit 14 – Minor Design Modifications**

**Digit 15 – Unit Parts Identifier**

Part No.	Reference No.	Quantity	Description
0000023357~P	*		OPTIONAL ACCESSORIES LIST

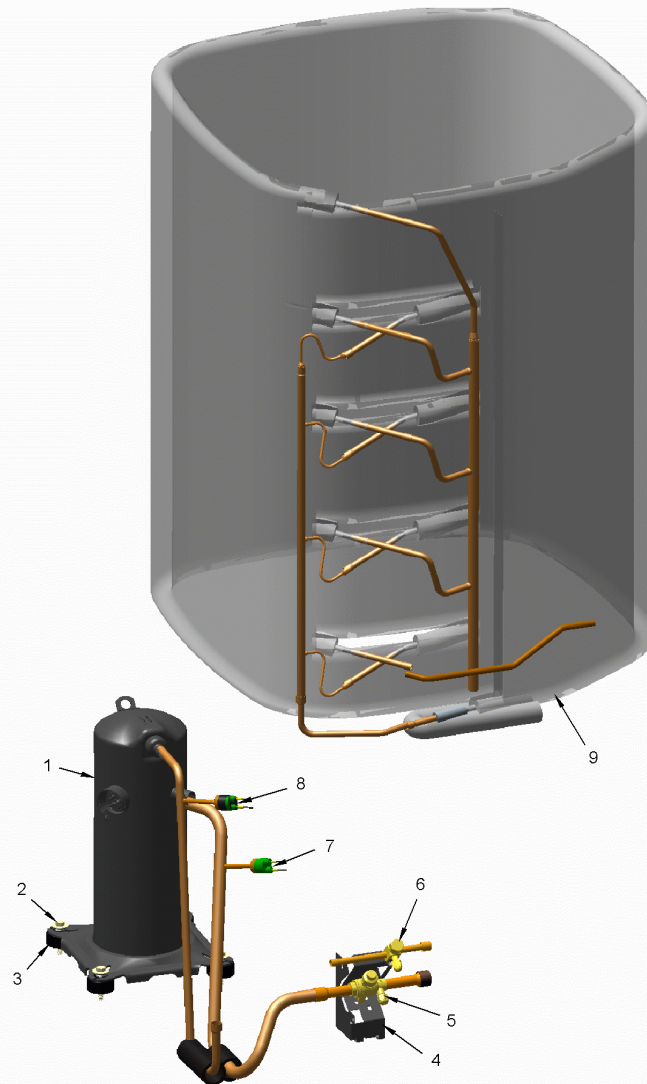
Part No.	Reference No.	Quantity	Description
AY28X079	*	1	KIT; LOW TEMP COOLING (AY28X079)
BAYCCHT302RES	*	1	KIT; CRANKCASE HEATER FOR SCROLLS, 40W, 230V (BAYCCHT302RES), 5.5 DIA, 74 IN LENGTH
BAYECMT023	*	1	KIT; EXTREME MOUNTING CONDITION (BAYECMT023)
BAYISLT101	*	1	KIT; ISOLATOR (BAYISLT101) (CONTAINS A QTY OF 5 ISOLATORS)
BAYSKT263	*	1	KIT; COMPRESSOR START KIT
BAYLEGS004	*	1	KIT; SNOW LEGS, CONTAINS (4) 4" MOUNTING LEGS
BAYLEGS007	*	1	KIT; SNOW LEGS, CONTAINS (4) 7" MOUNTING LEGS
BAYLOAM107	*	1	LOW AMBIENT KIT
BAYSDEN001	*	1	KIT; SOUND ENCLOSURE
BAYSEAC001	*	1	KIT; SEA COAST (BAYSEAC001)
BAYTWGR0003	*	1	KIT; WEATHERGUARD TOP (FITS BASE SIZES 33W X 30D)
PAI00309	*	1	PAINT; DARK BROWN, 12 OZ SPRAY CAN, HERESITE AIR DRY PHENOLIC COATING, VR-554T
TAYASCT501A	*	1	KIT; TIME DELAY (TAYASCT501A) - 5 MINUTE RELAY ONLY IS RLY01343
TAYVSPANL0032A	*	1	PANEL; SERVICE VALVE PANEL COVER KIT (TAYVSPANL0032A)

Part No.	Reference No.	Quantity	Description
0000023356~P	*		REFRIGERATION PARTS LIST

REFRIGERATION

75011187

REV.  
A



This is a typical illustration. The unit in the field may not appear exactly as shown.

Part No.	Reference No.	Quantity	Description
CAP01315	*	1	CAP; SERVICE LIQUID VALVE, BRASS, 1.06 OD X 0.81 ID X 15/16-20UNEF-2B
CAP01336	*	1	CAP; SERVICE LIQUID VALVE, BRASS, 0.75 OD X 0.57 ID X 11/16-28UN-2B
PLU01186	*	1	PLUG; SCROLL COMPRESSOR
SPC00386	*	1	SPACER; BASE, 5.50 X 1.00 X 0.50
SPC00512	*	4	SPACER; TUBING
SPC00513	*	3	SPACER; COIL
DHY01619		1	DRIER; EXTERNAL
COM11766	1	1	COMPRESSOR; SCROLL; ALLIANCE; SBA031C1CPZ; 2.5 TON; 42,500 BTUH; 208/230-60-1; R-410A; BRAZED; SUCTION 3/4; DISCHARGE 1/2; RLA 17.1
SCR01914	2	4	SCREW, ASSEMBLY COMPRESSOR, 5/16-12 TYPE B, W/WASHER & SLEEVE
ISR00007	3	4	ISOLATOR; VIBRATION
BRK03696	4	1	BRACKET; VALVE
VAL09296	5	1	VALVE; SERVICE GAS ASSEMBLY, .75 ODS X .75 ODS, FEMALE BRAZE TO FEMALE BRAZE, LEFT HAND MOUNTING HOLES - D155662P02
VAL09293	6	1	VALVE, SERVICE LIQUID, .38 OD X .38 OD, VALVE ASSY
SWT03654	7	1	SWITCH; LOW PRESSURE, OPEN @ 50 PSIG, CLOSE @ 70 PSIG
SWT03274	8	1	SWITCH, HIGH PRESSURE, SPST, OPEN @ 650 PSIG, CLOSE @ 500 PSIG, 75" YELLOW LEAD
COL27437	9	1	COIL; CONDENSER, SPINE FIN