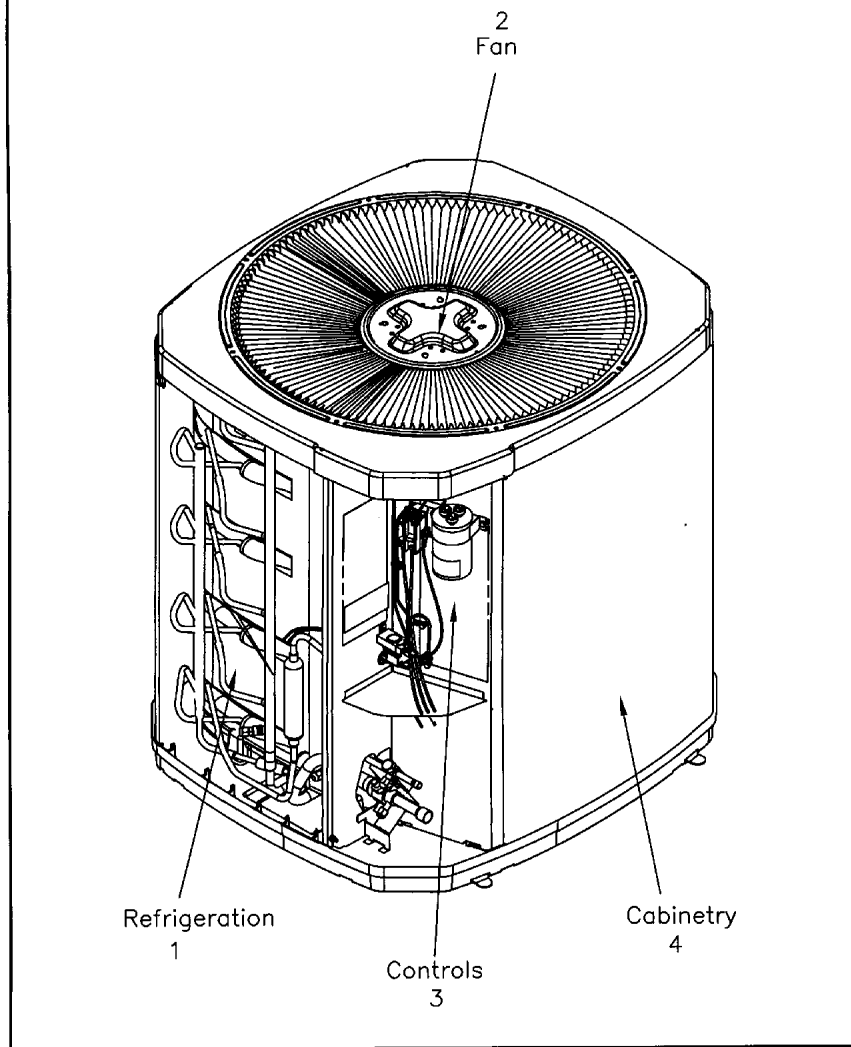


GENERAL ASSEMBLY

75005591

REV  
A

Typical Illustration. Unit may not appear exactly as shown.



| <b>Part No.</b>            | <b>Reference No.</b> | <b>Quantity</b> | <b>Description</b>          |
|----------------------------|----------------------|-----------------|-----------------------------|
| 75006805#4TTR3UP6~S        | *                    |                 | CABINTRY                    |
| 75005597#4TTR3UP6~S        | *                    |                 | CONTROLS                    |
| 75005599#4TTR3UP6~S        | *                    |                 | FAN                         |
| 75005591_4TTR3UP6_142343~P | *                    |                 | GENERAL ASSEMBLY PARTS LIST |
| 75005586#4TTR3UP6~S        | *                    |                 | MODEL NOMENCLATURE          |
| OPTIONS#4TTR3UP6~S         | *                    |                 | OPTIONAL ACCESSORIES        |
| 75009224#4TTR3UP6~S        | *                    |                 | REFRIGERATION               |

GENERAL ASSEMBLY

75005591

REV  
A

Typical Illustration. Unit may not appear exactly as shown.

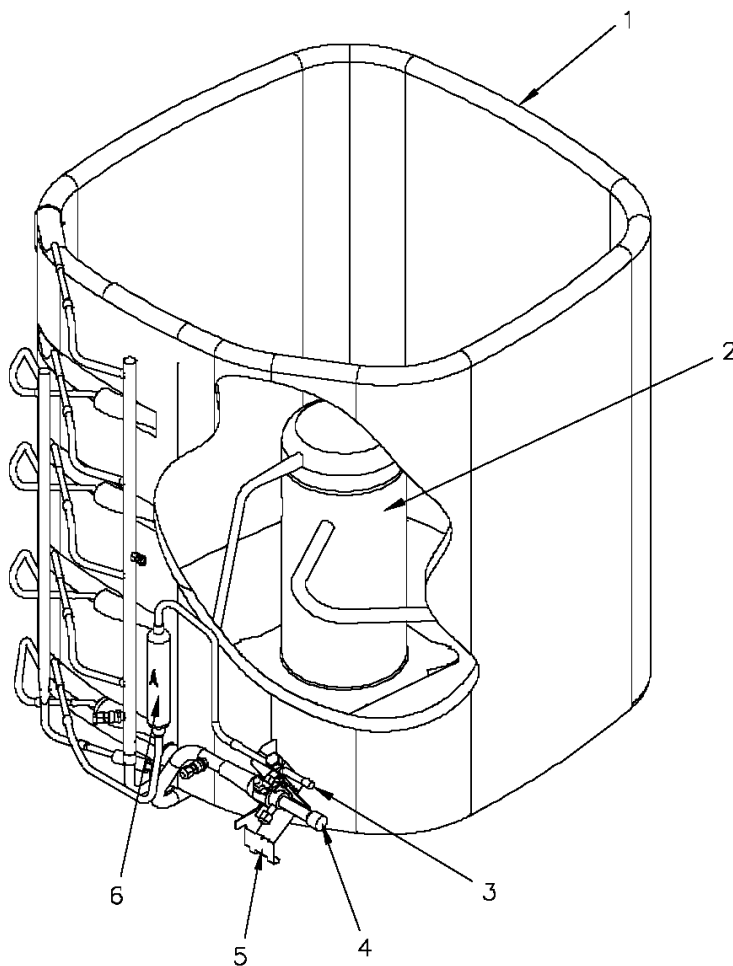


REFRIGERATION

75009224

REV  
A

Typical Illustration. Unit may not appear exactly as shown.



Parts List Number :75005591#4TTR3UP6

Model Number :4TTR3036G1000NB

| Part No.                   | Reference No. | Quantity | Description              |
|----------------------------|---------------|----------|--------------------------|
| 75009224_4TTR3UP6_349902~P | *             |          | REFRIGERATION PARTS LIST |

REFRIGERATION

75009224

REV  
A

Typical Illustration. Unit may not appear exactly as shown.



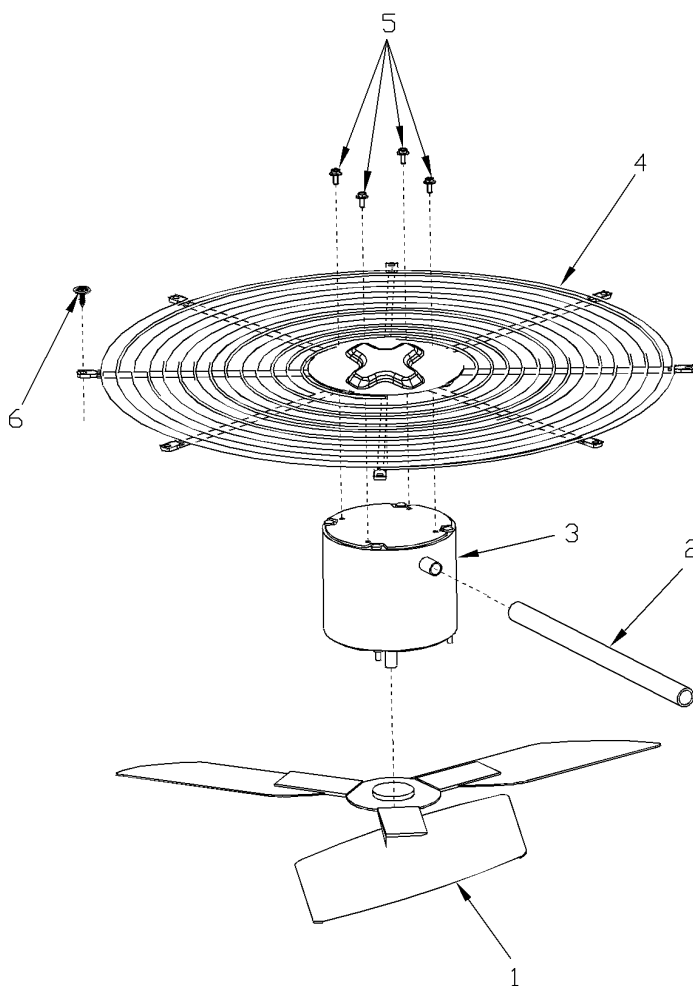
| Part No. | Reference No. | Quantity | Description   |
|----------|---------------|----------|---|
| ISR00007 | *             | 4        | ISOLATOR; VIBRATION   |
| SCR01914 | *             | 4        | SCREW, ASSEMBLY COMPRESSOR, 5/16-12 TYPE B, W/WASHER & SLEEVE   |
| SPC00386 | *             | 1        | SPACER; BASE, 5.50 X 1.00 X 0.50  |
| SPC00512 | *             | 4        | SPACER; TUBING  |
| SPC00513 | *             | 3        | SPACER; COIL  |
| SWT03274 | *             | 1        | SWITCH, HIGH PRESSURE, SPST, OPEN @ 650 PSIG, CLOSE @ 500 PSIG, 75' YELLOW LEAD   |
| SWT03347 | *             | 1        | SWITCH; LOW PRESSURE, OPEN @ 50 PSIG CLOSE @ 70 PSIG  |
| THT03126 | *             | 1        | THERMOSTAT; COMPRESSOR DOME TEMPERATURE SWITCH, OPENS AT 239-257F, CLOSSES AT 151-187F, WIRE LENGTH 85 INCH. WITH CONNECTORS                        |
| TUB11547 | *             | 8        | TUBE; TRANSITION ASSEMBLY   |
| WIR06747 | *             | 1        | WIRE; HARNESS. ALSO INCLUDES TERMINAL COVER AND GASKET  |
| COL28462 | 1             | 1        | COIL; CONDENSER, SPINE FIN  |
| COM11786 | 2             | 1        | COMPRESSOR; SCROLL; LG; APA032KAH; LXA032C1BVA; 2.75 TON; 32,000 BTUH; 208/230-60-1; R410A; BRAZED  |
| VAL09293 | 3             | 1        | VALVE, SERVICE LIQUID, .38 OD X .38 OD, VALVE ASSY  |
| VAL11186 | 4             | 1        | VALVE; SERVICE GAS  |
| BRK03696 | 5             | 1        | BRACKET; VALVE  |
| DHY01457 | 6             | 1        | DRIER; LIQUID LINE; SERVICE FIRST; 5 CU. IN.; 5.4 TON CAPACITY; 3/8" ODF INLET X 3/8" ODF OUTLET; APPROVED FOR MINERAL OIL AND POE OIL REFRIGERANTS |

FAN

75005599

REV  
A

Typical Illustration. Unit may not appear exactly as shown.



Parts List Number :75005591#4TTR3UP6

Model Number :4TTR3036G1000NB

| Part No.                   | Reference No. | Quantity | Description    |
|----------------------------|---------------|----------|----------------|
| 75005599_4TTR3UP6_317819~P | *             |          | FAN PARTS LIST |

FAN

75005599

REV  
A

Typical Illustration. Unit may not appear exactly as shown.



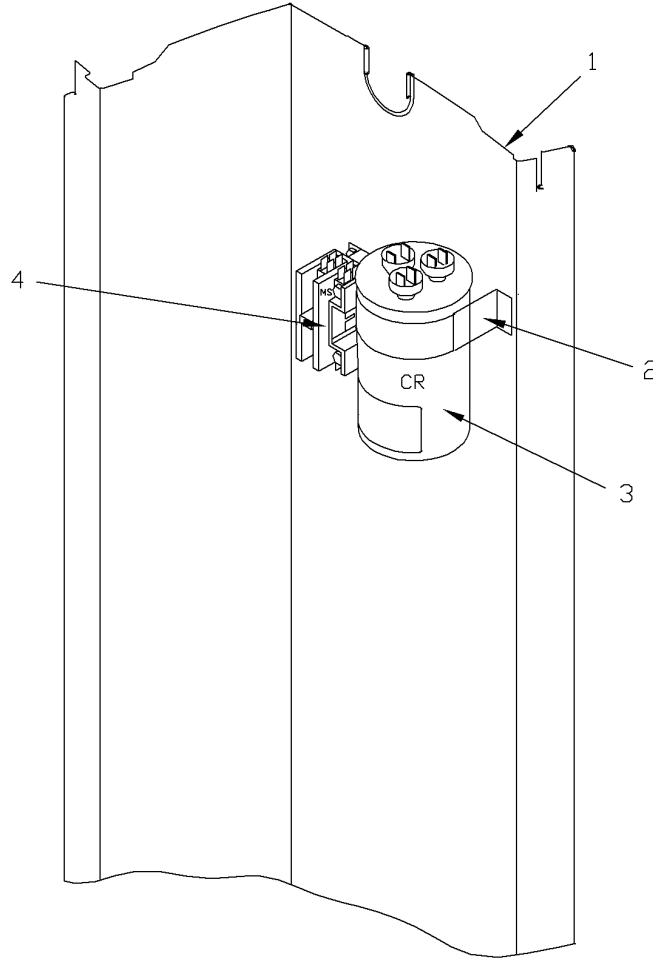
| Part No. | Reference No. | Quantity | Description   |
|----------|---------------|----------|---|
| COV03250 | *             | 1        | COVER; MOTOR, 6.86 DIA  |
| FAN04002 | 1             | 1        | FAN, 3 BLADE, ALUMINUM, 23" DIA, 22 DEGREES PITCH, .50" BORE, CCW, 1 SET SCREW-STEEL, SPIDER .057 THK, FINISH/PAINT |
| GRD01415 | 2             | 1        | GUARD, TROUGH-LEAD  |
| MOT16968 | 3             | 1        | MOTOR; 1/8 HP   |
| GRL01347 | 4             | 1        | GRILLE; FAN, 25.51 MOUNTING DIA   |
| SCR02086 | 5             | 4        | SCREW; 10-32 TR-3 HXW 3/8 S   |

CONTROLS

75005597

REV  
A

Typical Illustration. Unit may not appear exactly as shown.



Parts List Number :75005591#4TTR3UP6

Model Number :4TTR3036G1000NB

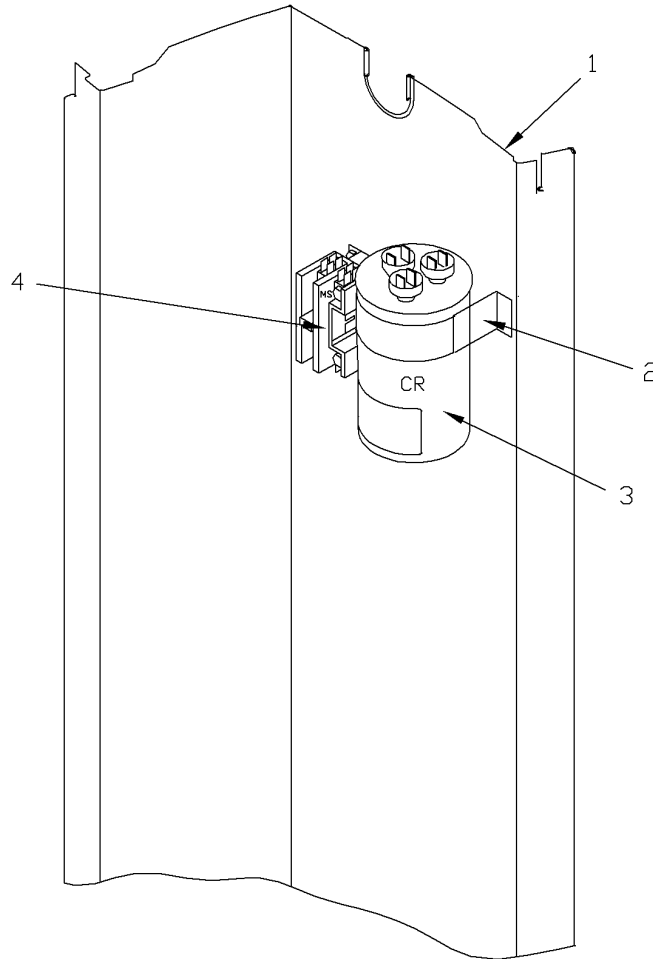
| Part No.                   | Reference No. | Quantity | Description         |
|----------------------------|---------------|----------|---------------------|
| 75005597_4TTR3UP6_317818~P | *             |          | CONTROLS PARTS LIST |

CONTROLS

75005597

REV  
A

Typical Illustration. Unit may not appear exactly as shown.



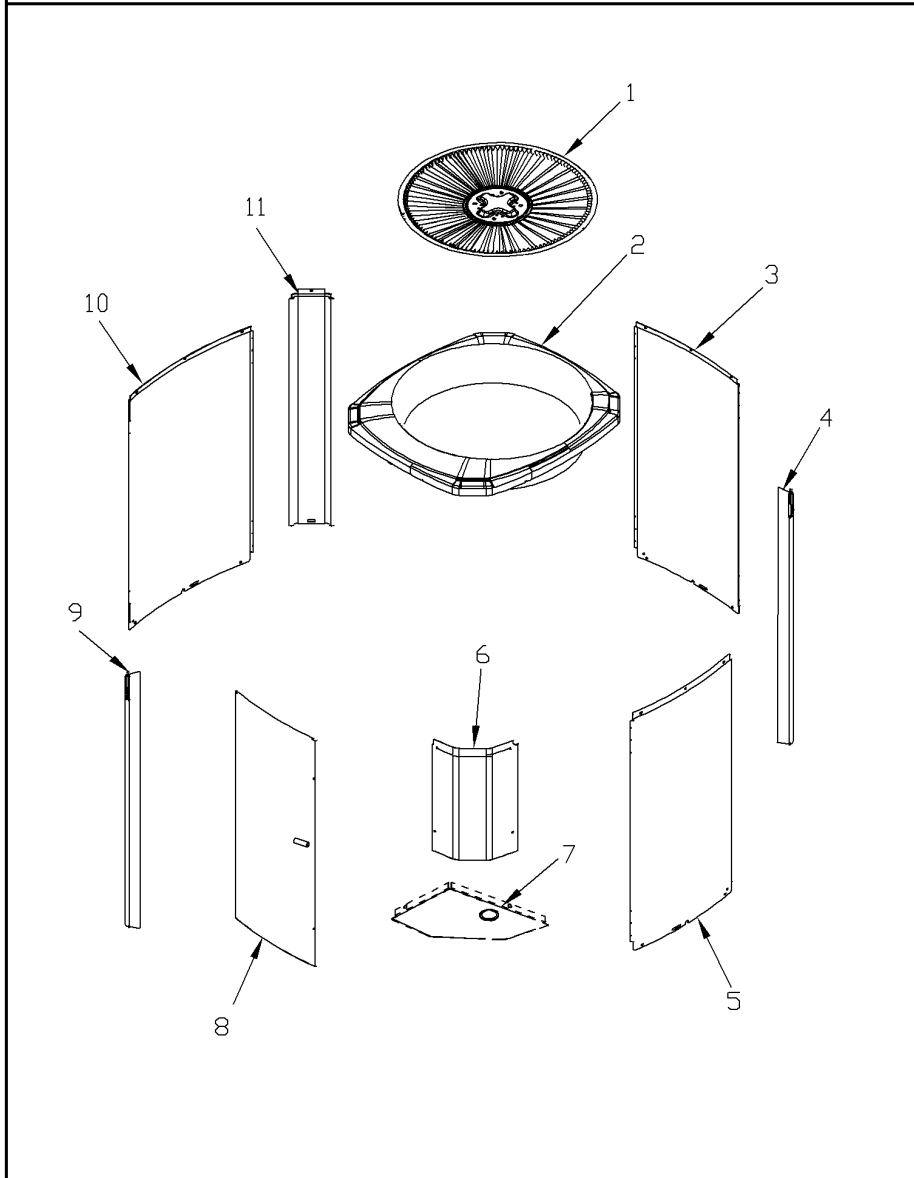
| Part No. | Reference No. | Quantity | Description  |
|----------|---------------|----------|--|
| PAI00248 | *             | 1        | PAINT; 12 OZ SPRAY, ANTHRACITE GRAY (SHIPPING UOM 12 OZ HAZ) |
| SCR01918 | *             | 10       | SCREW, 10-24 THREAD ROLL, INDENT HEX WASHER HD               |
| SHD00386 | *             | 1        | SHIELD; MOISTURE, 12.75 X 5.00                               |
| SHD00387 | *             | 1        | SHIELD; MOISTURE, 10.25 X 4.00                               |
| PNL21731 | 1             | 1        | PANEL, CONTROL PANEL, 27.14 HEIGHT                           |
| SRP00093 | 2             | 1        | STRAP;CAPACITOR  |
| CPT00656 | 3             | 1        | CAPACITOR; DUAL, 45/5 MFD, 440V, ROUND, W/O RESISTOR         |
| CTR00845 | 4             | 1        | CONTACTOR; 30 AMP, 240/480/600V, 24V COIL, 1 POLE            |

CABINETY

75006805

REV  
A

Typical Illustration. Unit may not appear exactly as shown.



Parts List Number :75005591#4TTR3UP6

Model Number :4TTR3036G1000NB

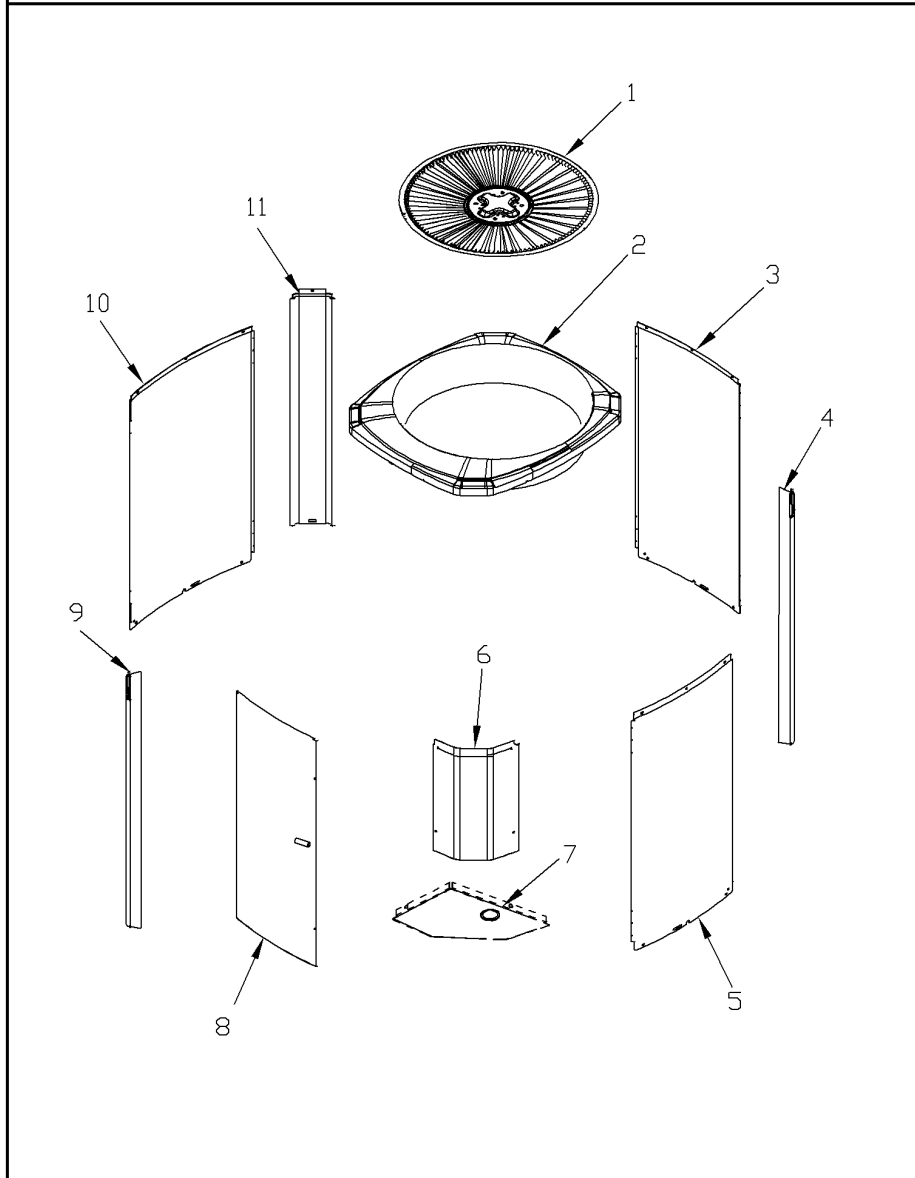
| Part No.                   | Reference No. | Quantity | Description         |
|----------------------------|---------------|----------|---------------------|
| 75006805_4TTR3UP6_266834~P | *             |          | CABINETY PARTS LIST |

CABINETY

75006805

REV  
A

Typical Illustration. Unit may not appear exactly as shown.



| Part No. | Reference No. | Quantity | Description  |
|----------|---------------|----------|--|
| BAS01833 | *             | 1        | BASE; 36.26 X 36.41 DIAGONALLY   |
| PAI00246 | *             | 1        | PAINT; SPRAY, TARPAULIN GRAY (SHIPPING UOM 12 OZ HAZ)  |
| PLT04086 | *             | 1        | PLATE; NAMEPLATE-TRANE LOGO, 9.0 X 1.82. THIS BADGE DOES NOT INCLUDE THE XR1# INSERT. FOR COMPLETE BADGE ORDER PLT03603, PLT04109 OR PLT04079. |
| SCR02010 | *             | 15       | SCREW; 12-18 AB HXW 1/2 SN   |
| GRL01347 | 1             | 1        | GRILLE; FAN, 25.51 MOUNTING DIA  |
| COV03358 | 2             | 1        | COVER; TOP, 32.36 X 29.40  |
| PNL14724 | 3             | 1        | PANEL; WRAPPER, 25.33 X 19.55  |
| PNL14723 | 4             | 1        | PANEL; CORNER POST, 25.33 X 3.570  |
| PNL14724 | 5             | 1        | PANEL; WRAPPER, 25.33 X 19.55  |
| COV03224 | 6             | 1        | COVER, CONTROL, 11.32 X 18.11  |
| COV03228 | 7             | 1        | COVER, CONTROL BOTTOM  |
| PNL23809 | 8             | 1        | PANEL; ACCESS, 15.69 X 24.65   |
| PNL14723 | 9             | 1        | PANEL; CORNER POST, 25.33 X 3.570  |
| PNL23808 | 10            | 1        | PANEL; WRAPPER, 23.14 X 25.33  |
| PNL14723 | 11            | 1        | PANEL; CORNER POST, 25.33 X 3.570  |

**MODEL NUMBER DESCRIPTION**  
**OUTDOOR UNITS**

75005586

REV  
E

*Example Model Number:*

**4 TWV 0 0 3 6 A 1 0 0 0 AA**  
1 - - - - 5 - - - - 10 - - - - 15

**Digit 1 – Refrigerant Type**

2 = R-22  
4 = R-410A

**Digit 2 – Trane**

**Digit 3 – Product Type**

W = Split Heat Pump  
T = Split Cooling

**Digit 4 – Product Family**

V = Variable Speed  
Z = Leadership - Two Stage  
X = Leadership  
R = Replacement/Retail  
M or B = Basic  
A = Light Commercial  
L = Side Discharge  
S = Side Discharge 3 Phase

**Digit 5 – Family SEER**

3 = 13    7 = 17  
4 = 14    8 = 18  
5 = 15    9 = 19  
6 = 16    0 = 20

**Digits 6 – Split System Connections 1-6 Tons**

0 = Brazed

**Digits 7,8 – Nominal Capacity in 000s BTUs**

**Digit 9 – Major Design Modifications**

**Digit 10 – Power Supply**

1 = 200-230/1/60 or 208-230/1/60  
3 = 200-230/3/60  
4 = 460/3/60  
5 = 400/3/60  
A = 220-240/1/50  
D = 380-415/3/50

**Digit 11,12,13 – Secondary Function**

**Digit 14 – Minor Design Modifications**

**Digit 15 – Unit Parts Identifier**

| Part No.                   | Reference No. | Quantity | Description                   |
|----------------------------|---------------|----------|-------------------------------|
| 75005586_4TTR3UP6_142345~P | *             |          | MODEL NOMENCLATURE PARTS LIST |

MODEL NUMBER DESCRIPTION

75005586

REV  
D

OUTDOOR UNITS

*Example Model Number:*

**4 TWV 00 3 6 A 1 0 0 0 A A**  
1 - - - 5 - - - 10 - - - 15

**Digit 1 – Refrigerant Type**

2 = R-22  
4 = R-410A

**Digit 2 – Trane**

**Digit 3 – Product Type**

W = Split Heat Pump  
T = Split Cooling

**Digit 4 – Product Family**

V = Variable Speed  
Z = Leadership - Two Stage  
X = Leadership  
R = Replacement/Retail  
M or B = Basic  
A = Light Commercial  
L = Side Discharge

**Digit 5 – Family SEER**

3 = 13      7 = 17  
4 = 14      9 = 19  
5 = 15      9 = 19  
6 = 16      0 = 20

**Digits 6 – Split System Connections 1-6 Tons**

0 = Brazed

**Digits 7,8 – Nominal Capacity in 000s BTUs**

**Digit 9 – Major Design Modifications**

**Digit 10 – Power Supply**

1 = 200-230/1/60 or 208-230/1/60  
3 = 200-230/3/60  
4 = 460/3/60

**Digit 11,12,13 – Secondary Function**

**Digit 14 – Minor Design Modifications**

**Digit 15 – Unit Parts Identifier**

OPTIONAL ACCESSORIES

Parts List Number :75005591#4TTR3UP6

Model Number :4TTR3036G1000NB

| Part No.                  | Reference No. | Quantity | Description                     |
|---------------------------|---------------|----------|---------------------------------|
| OPTIONS_4TTR3UP6_188802~P | *             |          | OPTIONAL ACCESSORIES PARTS LIST |

| Part No.   | Reference No. | Quantity | Description   |
|------------|---------------|----------|---|
| BAYKSKT263 | *             | 1        | KIT; COMPRESSOR START KIT   |
| KIT05354   | *             | 1        | KIT; TIME DELAY (TAYASCT501A) - 5 MINUTE RELAY ONLY IS RLY01343   |
| KIT06322   | *             | 1        | KIT; LOW TEMP COOLING (AY28X079)  |
| KIT07731   | *             | 1        | KIT; SNOW LEGS, CONTAINS (4) 6" MOUNTING LEGS (BAYLEGS002)  |
| KIT07732   | *             | 1        | KIT; SNOW LEGS, (4" EXTENSION KIT) (BAYLEGS003)   |
| KIT08036   | *             | 1        | KIT; SEA COAST (BAYSEAC001)   |
| KIT08087   | *             | 1        | KIT; HEAD PRESSURE (BAYLOAM103)   |
| KIT08412   | *             | 1        | KIT; SOUND ENCLOSURE, (BAYSDEN003), (MODELS WITH SMALL FRAME (QUANTUM) SCROLL COMPRESSORS NO LARGER THAN 16.4" TALL OR 6.6" IN DIAMETER EXCEPT IN CABINET HEIGHTS 25.0" OR SHORTER) |
| KIT09425   | *             | 1        | KIT; ISOLATOR (BAYISLT101) (CONTAINS A QTY OF 5 ISOLATORS)  |
| KIT15282   | *             | 1        | KIT; EXTREME MOUNTING CONDITION (BAYECMT023)  |
| KIT15752   | *             | 1        | KIT; SUMP HEATER, 208/230V, 40W, BELLY BAND STYLE (BAYCCHT302), 74 IN LENGTH, 5.5 INCH DIA  |
| PAI00309   | *             | 1        | PAINT; DARK BROWN, 12 OZ SPRAY CAN, HERESITE AIR DRY PHENOLIC COATING, VR-554T  |