

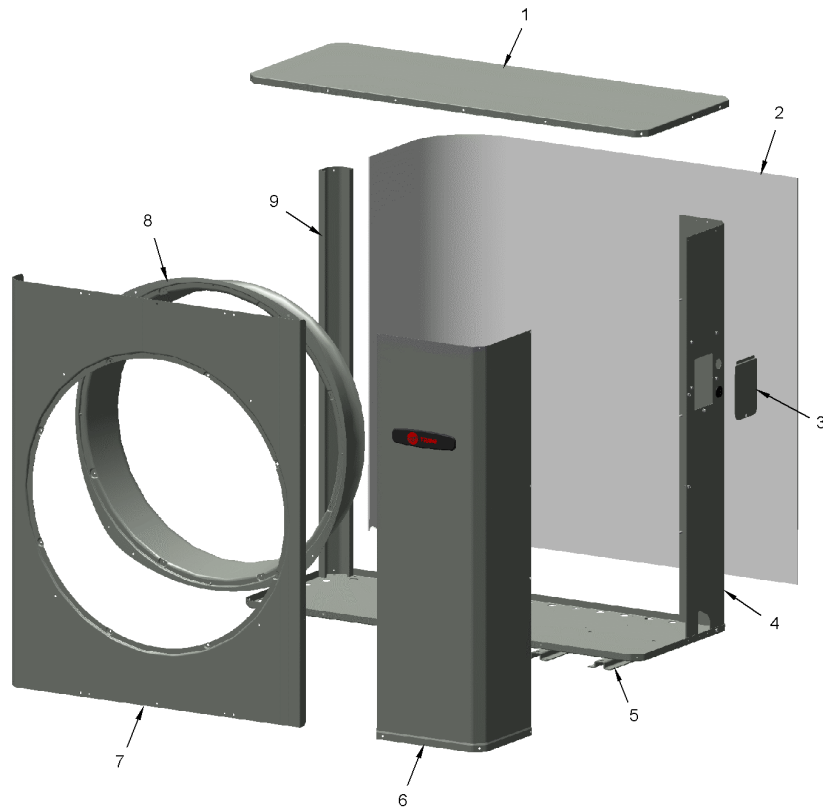
Part No.	Reference No.	Quantity	Description
0000093922~S	*		CABINET
0000093923~S	*		CONTROLS
0000093924~S	*		FAN
0000093921~S	*		GENERAL ASSEMBLY
0000093927~S	*		MODEL NUMBER DESCRIPTION
0000093926~S	*		OPTIONAL ACCESSORIES
0000093925~S	*		REFRIGERATION

Part No.	Reference No.	Quantity	Description
000006557~P	*		CABINET PARTS LIST

CABINET

75012078

REV.
A



This is a typical illustration. The unit in the field may not appear exactly as shown.

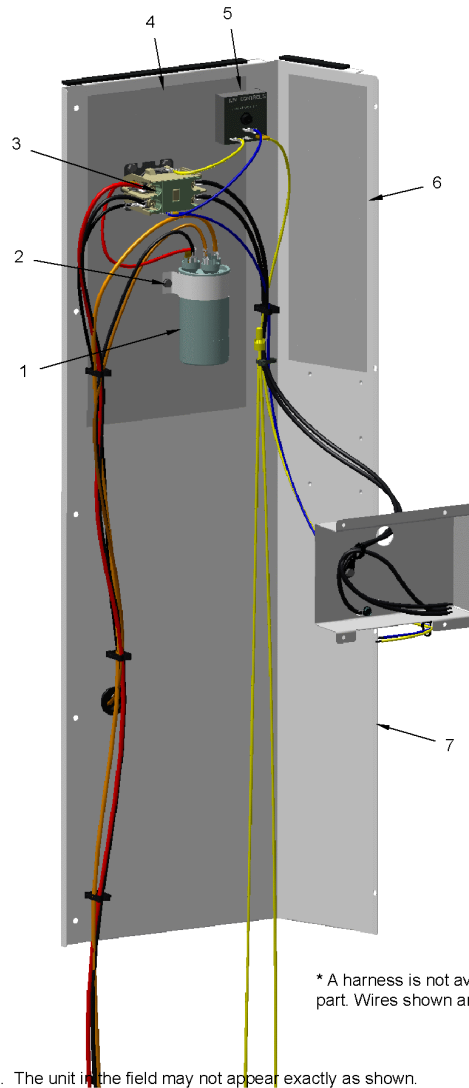
Part No.	Reference No.	Quantity	Description
PAI00246	*	1	PAINT; SPRAY, TARPAULIN GRAY (SHIPPING UOM 12 OZ HAZ)
COV05328	1	1	COVER; TOP, 47.00 X 17.50
GRD01978	2	1	GUARD; COIL, BLACK POLYETHYLENE MESH, 53 X 42
DOR04389	3	1	DOOR; SERVICE PANEL, 5.75 X 4.25
PNL34716	4	1	PANEL; SERVICE, 42 H
RAL01194	5	3	RAIL; BASE, 20.50 X 2.65 X 0.65
PNL34722	6	1	PANEL; ACCESS, 41.81 H
PNL34790	7	1	PANEL; FRONT, 34.62 X 42.00 X 30.12 DIA OPENING
ORF02011	8	1	ORIFICE; BASE, 39.5 ID DIA
PNL34712	9	1	PANEL; CORNER POST, 42 H

Part No.	Reference No.	Quantity	Description
000006497~P	*		CONTROLS PARTS LIST

CONTROLS

75012080

REV.
A



This is a typical illustration. The unit in the field may not appear exactly as shown.

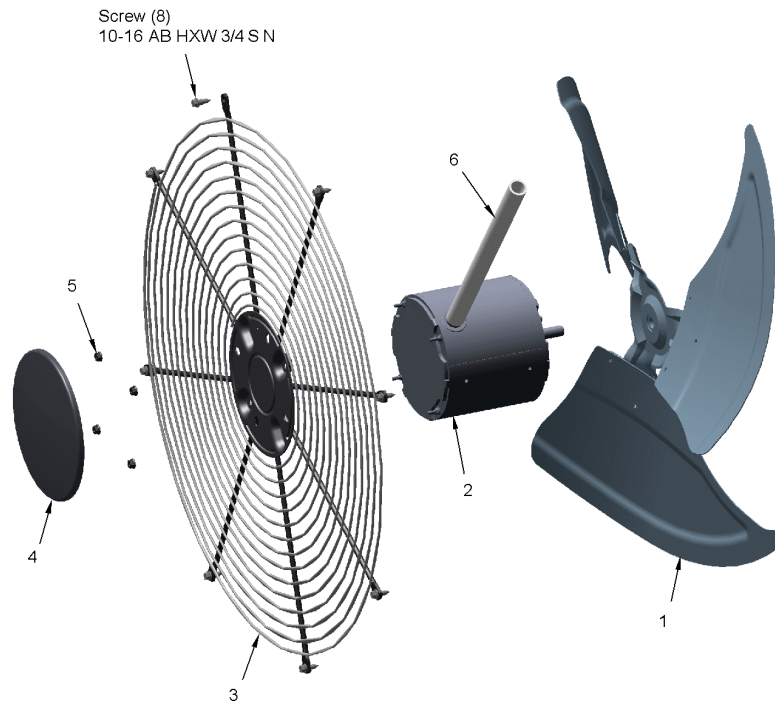
Part No.	Reference No.	Quantity	Description
SCR01918	*	5	SCREW, 10-24 THREAD ROLL, INDENT HEX WASHER HD
CPT02657	1	1	CAPACITOR; 70+7.5 MFD 370V
SRP00093	2	1	STRAP;CAPACITOR
CTR01028	3	1	CONTACTOR; 2P, 40A 600V CONTACTS, 24 CV, 60HZ
SHD00592	4	1	SHIELD; MOISTURE, 13.88 X 7.50
RLY03032	5	1	RELAY; TIME DELAY, SPST, 3 MIN, 1A, 120V
SHD00387	6	1	SHIELD; MOISTURE, 10.25 X 4.00
PNL34709	7	1	PANEL; CONTROLS, 14.36 X 42.00

Part No.	Reference No.	Quantity	Description
000006498~P	*		FAN PARTS LIST

FAN

75012081

REV.
A



This is a typical illustration. The unit in the field may not appear exactly as shown.

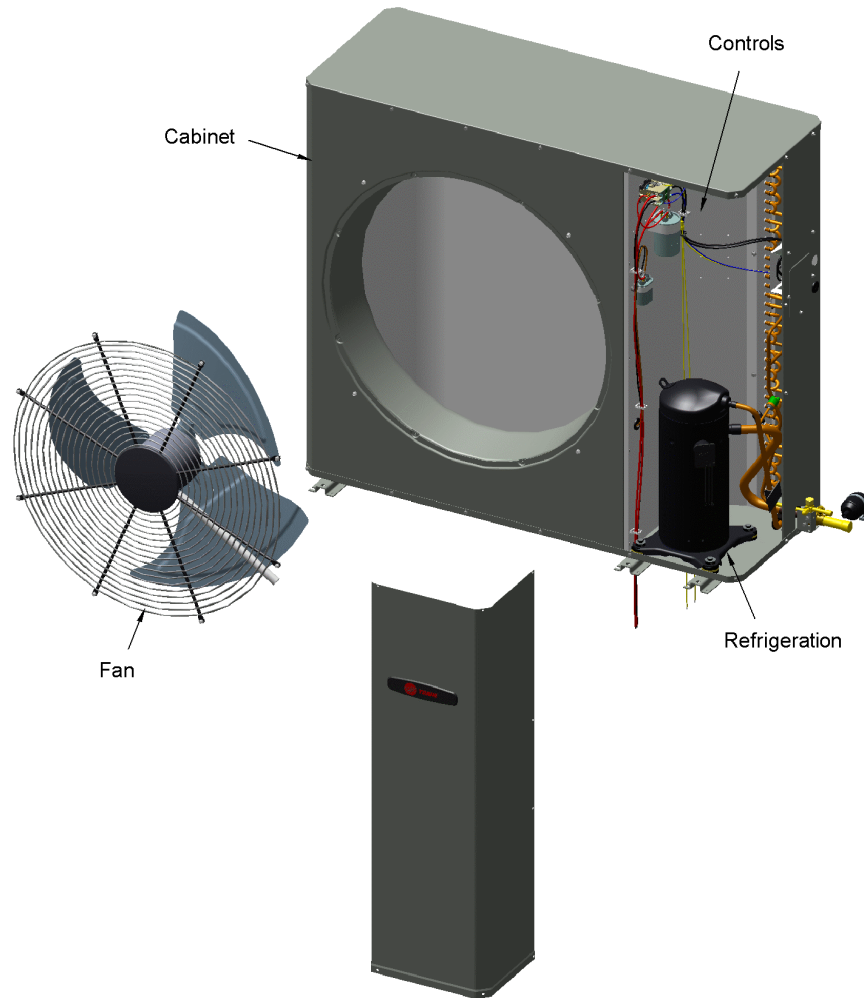
Part No.	Reference No.	Quantity	Description
FAN05903	1	1	FAN; BLADE (22 DEG 3 SWEPT)
MOT17989	2	1	MOTOR; 1/8 HP FAN MOTOR
GRL01348	3	1	GRILLE; FAN, 29 IN DIA, SPIRAL WIRE, BASALT GREY
COV03250	4	1	COVER; MOTOR, 6.86 DIA
NUT00845	5	4	NUT; FLANGE NIBBED
GRD01633	6	1	GUARD; TROUGH-LEAD

Part No.	Reference No.	Quantity	Description
000006536~P	*		GENERAL ASSEMBLY GRAPHIC

XR16 LOW PROFILE AIR CONDITIONER

75012076

REV.
A



This is a typical illustration. The unit in the field may not appear exactly as shown.

Part No.	Reference No.	Quantity	Description
000006556~P	*		MODEL NUMBER GRAPHIC

MODEL NUMBER DESCRIPTION

75005586

REV
D

OUTDOOR UNITS

Example Model Number:

4 TWV 00 3 6 A 1 0 0 0 A A
1 - - - 5 - - - 10 - - - 15

Digit 1 – Refrigerant Type

2 = R-22
4 = R-410A

Digit 2 – Trane

Digit 3 – Product Type

W = Split Heat Pump
T = Split Cooling

Digit 4 – Product Family

V = Variable Speed
Z = Leadership - Two Stage
X = Leadership
R = Replacement/Retail
M or B = Basic
A = Light Commercial
L = Side Discharge

Digit 5 – Family SEER

3 = 13 7 = 17
4 = 14 9 = 19
5 = 15 9 = 19
6 = 16 0 = 20

Digits 6 – Split System Connections 1-6 Tons

0 = Brazed

Digits 7,8 – Nominal Capacity in 000s BTUs

Digit 9 – Major Design Modifications

Digit 10 – Power Supply

1 = 200-230/1/60 or 208-230/1/60
3 = 200-230/3/60
4 = 460/3/60

Digit 11,12,13 – Secondary Function

Digit 14 – Minor Design Modifications

Digit 15 – Unit Parts Identifier

Part No.	Reference No.	Quantity	Description
000006558~P	*		OPTIONAL ACCESSORIES LIST

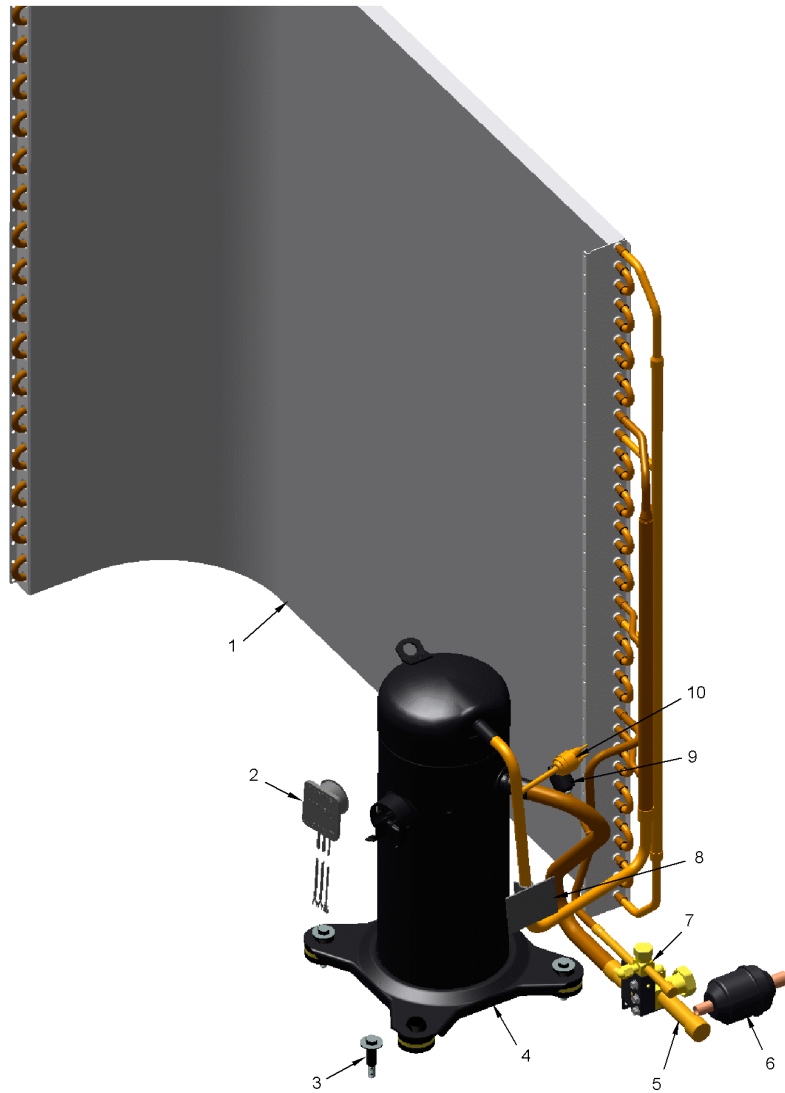
Part No.	Reference No.	Quantity	Description
AY28X079	*	1	KIT; LOW TEMP COOLING (AY28X079)
BAYCCHT301RES	*	1	KIT; CRANKCASE HEATER FOR SCROLLS, 60W, 230V (BAYCCHT301RES), 6.5-7.5 DIA, 74 IN LENGTH
BAYISLT101	*	1	KIT; ISOLATOR (BAYISLT101) (CONTAINS A QTY OF 5 ISOLATORS)
BAYSKT263	*	1	KIT; COMPRESSOR START KIT
BAYLEGS004	*	1	KIT; SNOW LEGS, CONTAINS (4) 4" MOUNTING LEGS
BAYLEGS007	*	1	KIT; SNOW LEGS, CONTAINS (4) 7" MOUNTING LEGS
BAYLOAM107	*	1	LOW AMBIENT KIT
BAYSDEN004	*	1	KIT; SOUND ENCLOSURE, (BAYSDEN004), (MODELS WITH LARGE FRAME (QUEST) SCROLL COMPRESSORS NO LARGER THAN 17.3" TALL OR 7.3" IN DIAMETER
BAYSKIT014A	*	1	KIT; STACKING, SMALL UNIT ON SMALL UNIT
BAYSKIT018A	*	1	KIT; STACKING, SMALL UNIT ON LARGE UNIT
BAYWIND101	*	1	WIND BAFFLE ASM
BRK05033	*	1	BRACKET; LARGE WALL BRACKET WITH RAIL AND 3 ARMS UP TO 350 LBS
KIT18581	*	1	KIT; HAIL GUARD 4.4 (BAYSDHG004A)
PAI00039	*	1	PAINT; N.C.R. #7 TAN, 5 GALLON

Part No.	Reference No.	Quantity	Description
000006499~P	*		REFRIGERATION PARTS LIST

REFRIGERATION

75012082

REV.
A



This is a typical illustration. The unit in the field may not appear exactly as shown.

Part No.	Reference No.	Quantity	Description
COL27891	1	1	COIL; OUTDOOR, PLATE FIN
PLU01287	2	1	PLUG; SCROLL COMPRESSOR HARNESS, BK/BL, OR, RD WIRES, 54 IN LENGTH
SCR01914	3	4	SCREW, ASSEMBLY COMPRESSOR, 5/16-12 TYPE B, W/WASHER & SLEEVE
COM11497	4	1	COMPRESSOR; SCROLL, ALLIANCE, SBA049B1CPZ, 4.0 TON, 49,000 BTUH, 208/230-60-1, R410-A, BRAZED, SUCTION 7/8, DISCHARGE 1/2, RLA 26.4
VAL11774	5a	1	VALVE; SERVICE GAS ASSEMBLY, 0.88 ODS X 0.88 ODS, WITH 0.25 SAE SERVICE PORT SERVICE
CAP01412	5b	1	CAP; SERVICE VALVE, BRASS, 1.00 OD X 0.57 ID X M18 X 1-6H
DHY01457	6	1	DRIER; LIQUID LINE; SERVICE FIRST; 5 CU. IN.; 5.4 TON CAPACITY; 3/8" ODF INLET X 3/8" ODF OUTLET; APPROVED FOR MINERAL OIL AND POE OIL REFRIGERANTS
VAL09293	7a	1	VALVE, SERVICE LIQUID, .38 OD X .38 OD, VALVE ASSY
CAP01336	7b	1	CAP; SERVICE LIQUID VALVE, BRASS, 0.75 OD X 0.57 ID X 11/16-28UN-2B
SPC00388	8	1	SPACER; TUBE
SWT03654	9	1	SWITCH; LOW PRESSURE, OPEN @ 50 PSIG, CLOSE @ 70 PSIG
SWT03273	10	1	SWITCH, HIGH PRESSURE, SPST, OPEN @ 650 PSIG, CLOSE @ 500 PSIG, 88" YELLOW LEAD