

Part No.	Reference No.	Quantity	Description
0000147431~S	*		CABINETS
0000147430~S	*		CONTROLS
0000147429~S	*		FAN
0000147427~S	*		GENERAL ASSEMBLY
0000147433~S	*		MODEL NUMBER DESCRIPTION
0000147428~S	*		REFRIGERATION

Parts List Number :0000147261

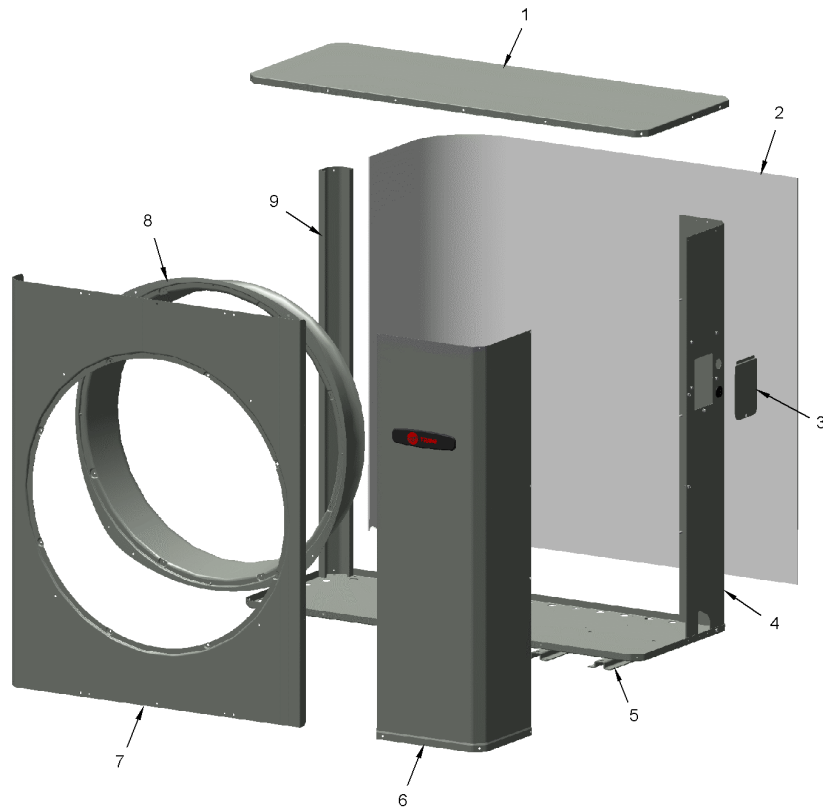
Model Number :4TTL6042A1000AB

Part No.	Reference No.	Quantity	Description
0000025958~P	*		CABINET PARTS LIST

CABINET

75012078

REV.
A



This is a typical illustration. The unit in the field may not appear exactly as shown.

Part No.	Reference No.	Quantity	Description
PAI00246	*	3	PAINT; SPRAY, TARPAULIN GRAY (SHIPPING UOM 12 OZ HAZ)
PAN04334	*	1	PAN; BASE 4 ZLL TR
RAL01204	*	1	RAIL; POST-CORNER 3.3/4.3 TR
SCR02010	*	37	SCREW; 12-18 AB HXW 1/2 SN
SCR02054	*	37	SCREW; 12-18 AB HXW 1/2 SN
COV05328	1	1	COVER; TOP, 47.00 X 17.50
PNL35590	2	1	PANEL; SERVICE 4.3 TR
DOR04389	3	1	DOOR; SERVICE PANEL, 5.75 X 4.25
PNL34721	4	1	PANEL; ACCESS, 35.81 H
RAL01194	5	3	RAIL; BASE, 20.50 X 2.65 X 0.65
PNL35668	7	1	PANEL; FRONT, 34.62 X 36.00 X 29.70 DIA OPENING
ORF02011	8	1	ORIFICE; BASE, 39.5 ID DIA

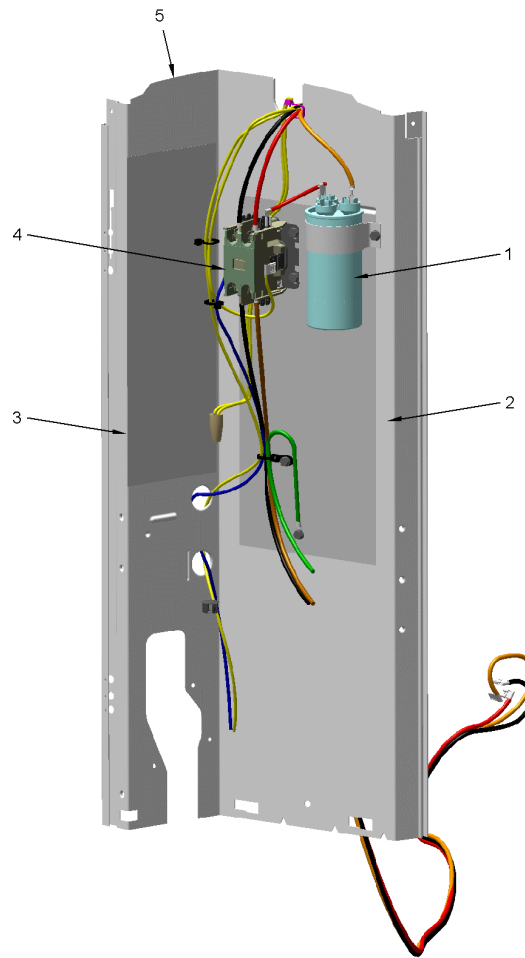
Part No.	Reference No.	Quantity	Description
0000025957~P	*		CONTROLS PARTS LIST

CONTROLS

75010701

REV
A

TYPICAL ILLUSTRATION



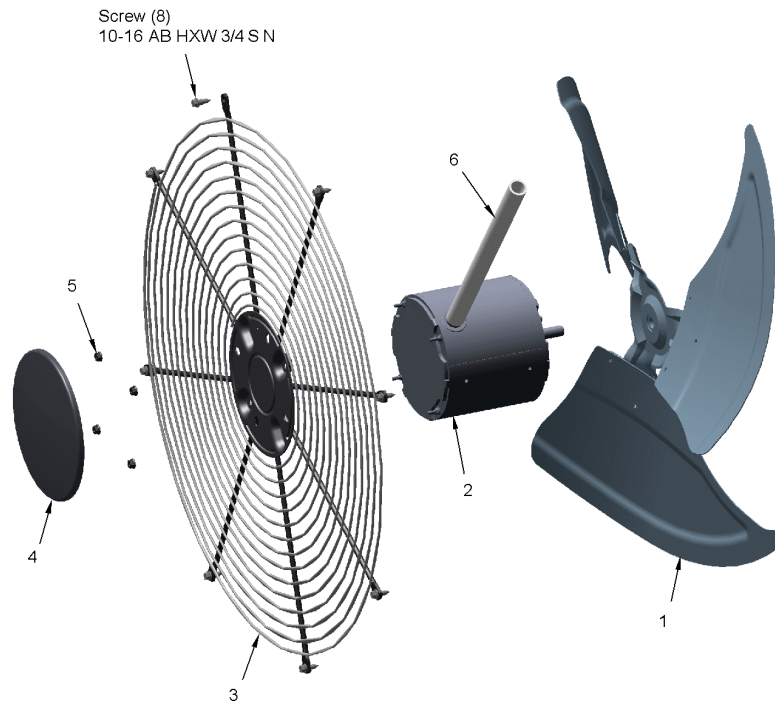
Part No.	Reference No.	Quantity	Description
CON00241		1	CONNECTOR; WIRE
PLU01287		1	PLUG; SCROLL COMPRESSOR HARNESS, BK/BL, OR, RD WIRES, 54 IN LENGTH
RLY03032		1	RELAY; TIME DELAY, SPST, 3 MIN, 1A, 120V
SCR01918		5	SCREW, 10-24 THREAD ROLL, INDENT HEX WASHER HD
SPC00512		1	SPACER; TUBING
SRP00269		1	STRAP; CAPACITOR
TER00312		3	TERMINAL; 8IN. TIE CABLE
TIE00007		3	TIE;CABLE
TIE00026		1	TIE; CABLE, 8-1/2IN.
CPT01842	1	1	CAPACITOR, RUN, 45/7.5 MFD, 370V, ROUND, W/O RESISTOR
SHD00387	2	1	SHIELD; MOISTURE, 10.25 X 4.00
SHD00592	3	1	SHIELD; MOISTURE, 13.88 X 7.50
CTR00845	4	1	CONTACTOR; 30 AMP, 240/480/600V, 24V COIL, 1 POLE

Part No.	Reference No.	Quantity	Description
0000025938~P	*		FAN PARTS LIST

FAN

75012081

REV.
A



This is a typical illustration. The unit in the field may not appear exactly as shown.

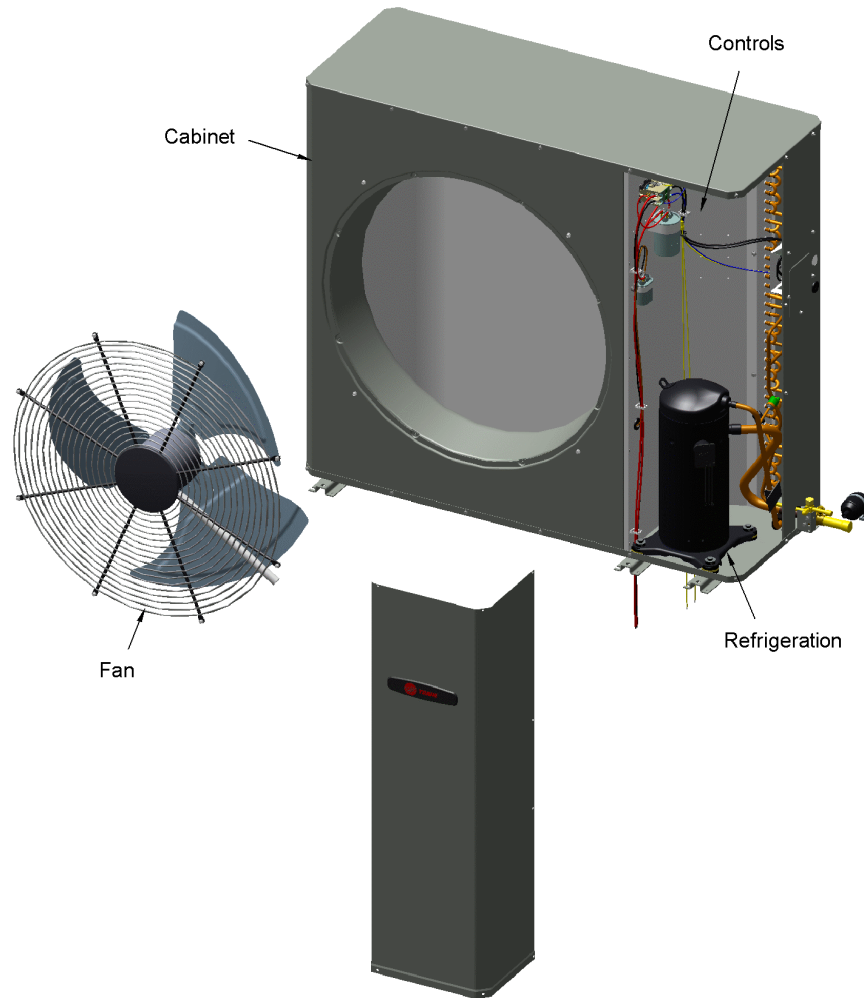
Part No.	Reference No.	Quantity	Description
GRD01715	1	1	GUARD; TROUGH-LEAD, 11 IN L X 0.83 OD
FAN05905	2	1	FAN; BLADE (20 DEG 3 SWEPT)
NUT00845	3	4	NUT; FLANGE NIBBED
GRL01347	4	1	GRILLE; FAN, 25.51 MOUNTING DIA

Part No.	Reference No.	Quantity	Description
0000025921~P	*		GENERAL ASSEMBLY PARTS LIST

XR16 LOW PROFILE AIR CONDITIONER

75012076

REV.
A



This is a typical illustration. The unit in the field may not appear exactly as shown.

Part No.	Reference No.	Quantity	Description
0000026107~P	*		MODEL NUMBER DESCRIPTION

MODEL NUMBER DESCRIPTION

75005587

REL
C

OUTDOOR UNITS

Example Model Number:

4 A 7 A 0 0 3 6 A 1 0 0 0 A A
1 - - - 5 - - - 10 - - - 15

Digit 1 – Refrigerant Type

2 = R-22
4 = R-410A

Digit 2 – American Standard

Digit 3 – Product Type

6,W = Split Heat Pump
7,T = Split Cooling

Digit 4 – Product Family

V = Variable Speed
Z = Leadership - Two Stage
X = Leadership
R = Replacement/Retail
M or B = Basic
A = Light Commercial
L = Side Discharge

Digit 5 – Family SEER

3 = 13 7 = 17
4 = 14 8 = 18
5 = 15 9 = 19
6 = 16 0 = 20

Digits 6 – Split System Connections 1-6 Tons

0 = Brazed

Digits 7,8 – Nominal Capacity in 000s BTUs

Digit 9 – Major Design Modifications

Digit 10 – Power Supply

1 = 200-230/1/60 or 208-230/1/60
3 = 200-230/3/60
4 = 460/3/60

Digit 11,12,13 – Secondary Function

Digit 14 – Minor Design Modifications

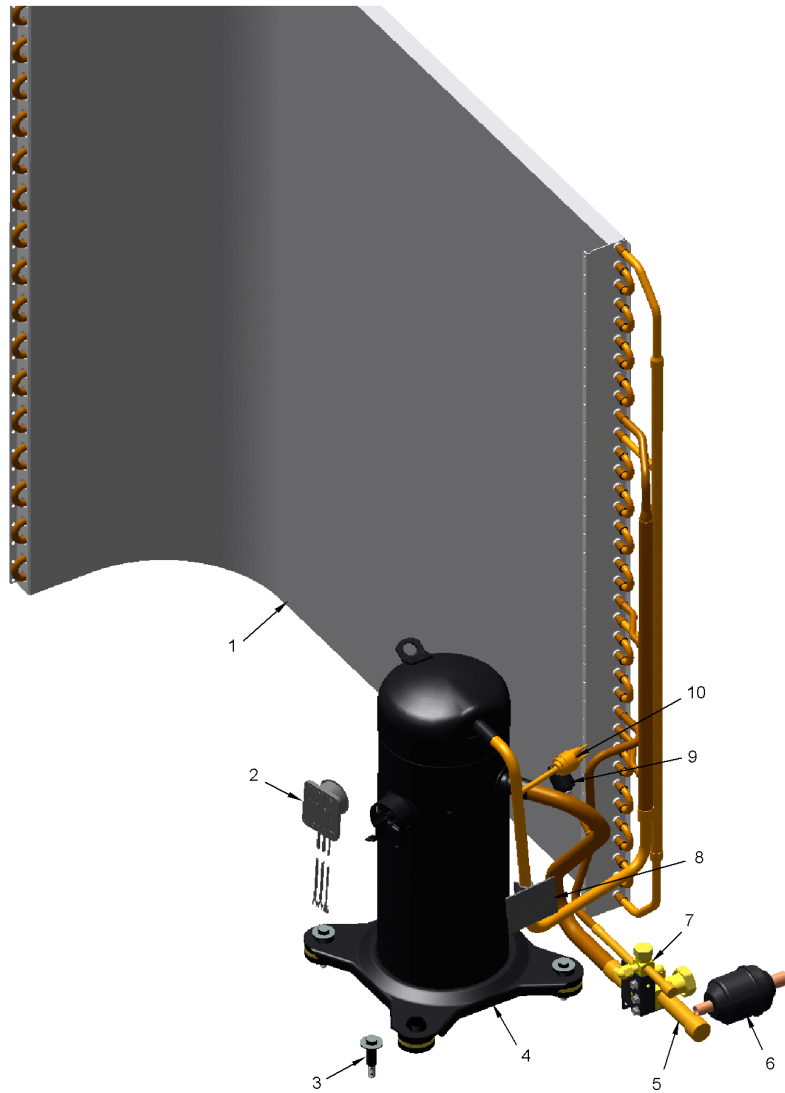
Digit 15 – Unit Parts Identifier

Part No.	Reference No.	Quantity	Description
0000026133~P	*		REFRIGERATION PARTS LIST

REFRIGERATION

75012082

REV.
A



This is a typical illustration. The unit in the field may not appear exactly as shown.

Part No.	Reference No.	Quantity	Description
CAP00156	*	0	CAP, TUBE PLUG, .447-.513 OD
CAP01431	*	1	CAP; SERVICE VALVE
PAI00246	*	0	PAINT; SPRAY, TARPAULIN GRAY (SHIPPING UOM 12 OZ HAZ)
PLU00413	*	0	PLUG; TUBE
SCR02054	*	4	SCREW; 12-18 AB HXW 1/2 SN
TIE00023	*	3	TIE;CABLE, 8.00IN.
VAL20010	*	1	VALVE; SER GAS O(12-14)
COL27890	1	0	COIL; OUTDOOR, PLATE FIN
SCR02010	3	4	SCREW; 12-18 AB HXW 1/2 SN
COM13577	4	1	COMPRESSOR; SCROLL, 2.83 TON, R-410A, 230V/1PH/60HZ WITH ALUMINUM MOTOR
CAP01336	5	1	CAP; SERVICE LIQUID VALVE, BRASS, 0.75 OD X 0.57 ID X 11/16-28UN-2B
CAP01411	7	1	CAP; SERVICE VALVE, BRASS, 1.19 OD X 0.93 ID X 17/16-20UN-2B
VAL09293	7a	1	VALVE, SERVICE LIQUID, .38 OD X .38 OD, VALVE ASSY
SPC00388	8	1	SPACER; TUBE
SWT04149	9	1	SWITCH; LOW PRESSURE BZ
SWT04147	10	1	SWITCH; HIGH PRESSURE, SPST, OPEN @ 650 PSIG, CLOSE @ 500 PSIG, 36 IN YELLOW/RED LEADS