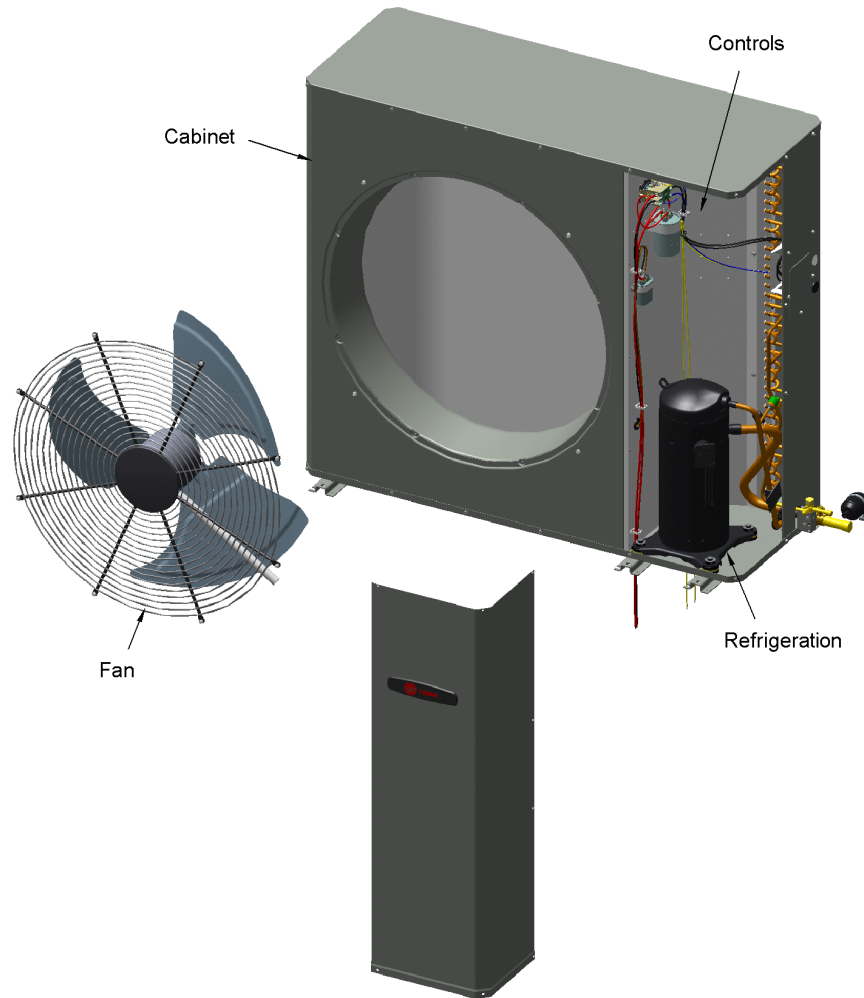


XR16 LOW PROFILE AIR CONDITIONER

75012076

REV.  
A



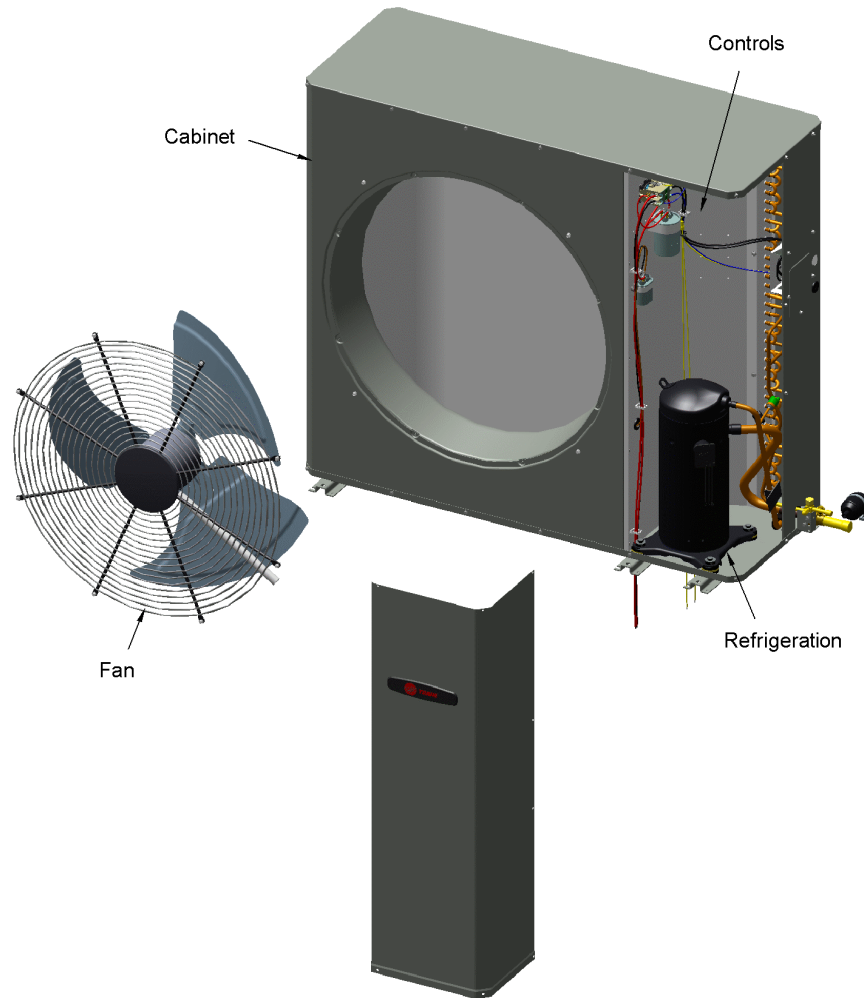
This is a typical illustration. The unit in the field may not appear exactly as shown.

<b>Part No.</b>	<b>Reference No.</b>	<b>Quantity</b>	<b>Description</b>
75012078#4TTL6UP1~S	*		CABINET
75012080#4TTL6UP1~S	*		CONTROLS
75012081#4TTL6UP1~S	*		FAN
75005586#4TTL6UP1~S	*		MODEL NUMBER DESCRIPTION
ZZOPTIONS#4TTL6UP1~S	*		OPTIONAL ACCESSORIES
75012082#4TTL6UP1~S	*		REFRIGERATION
75012076_4TTL6UP1_166584~P	*		XR16 LOW PROFILE AIR CONDITIONER PARTS LIST

XR16 LOW PROFILE AIR CONDITIONER

75012076

REV  
A

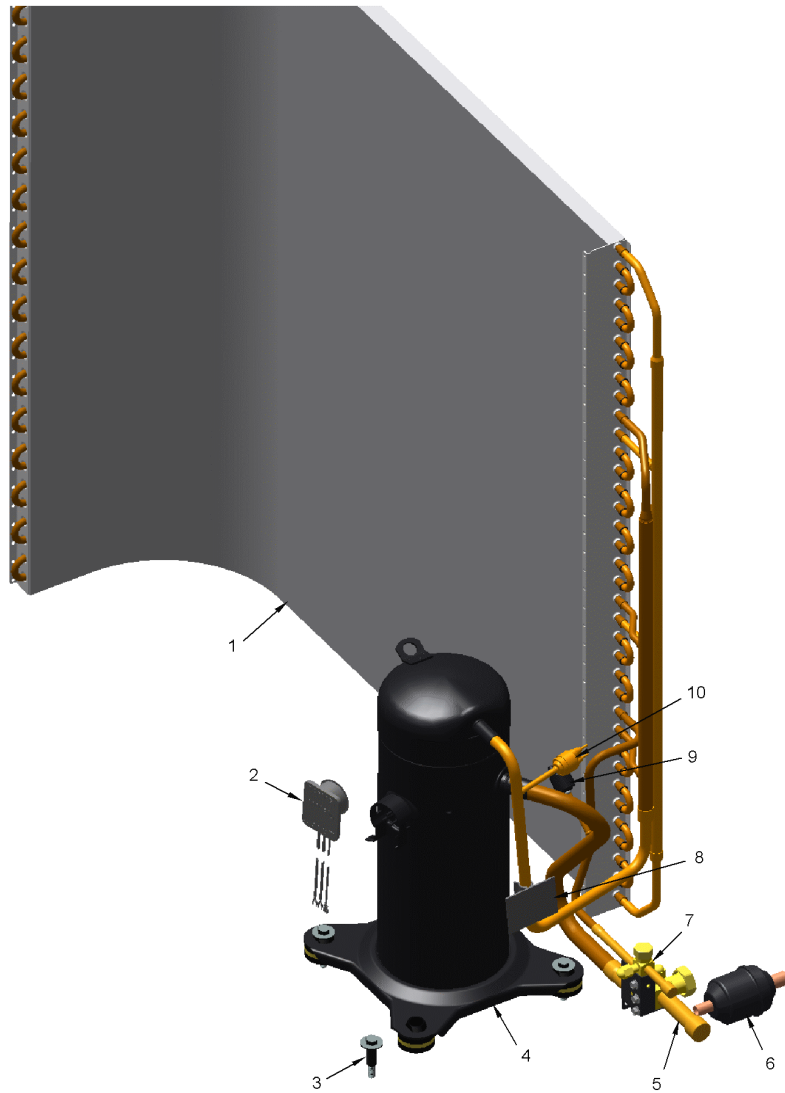


This is a typical illustration. The unit in the field may not appear exactly as shown.

REFRIGERATION

75012082

REV.  
A



This is a typical illustration. The unit in the field may not appear exactly as shown.

Parts List Number :75012076#4TTL6UP1

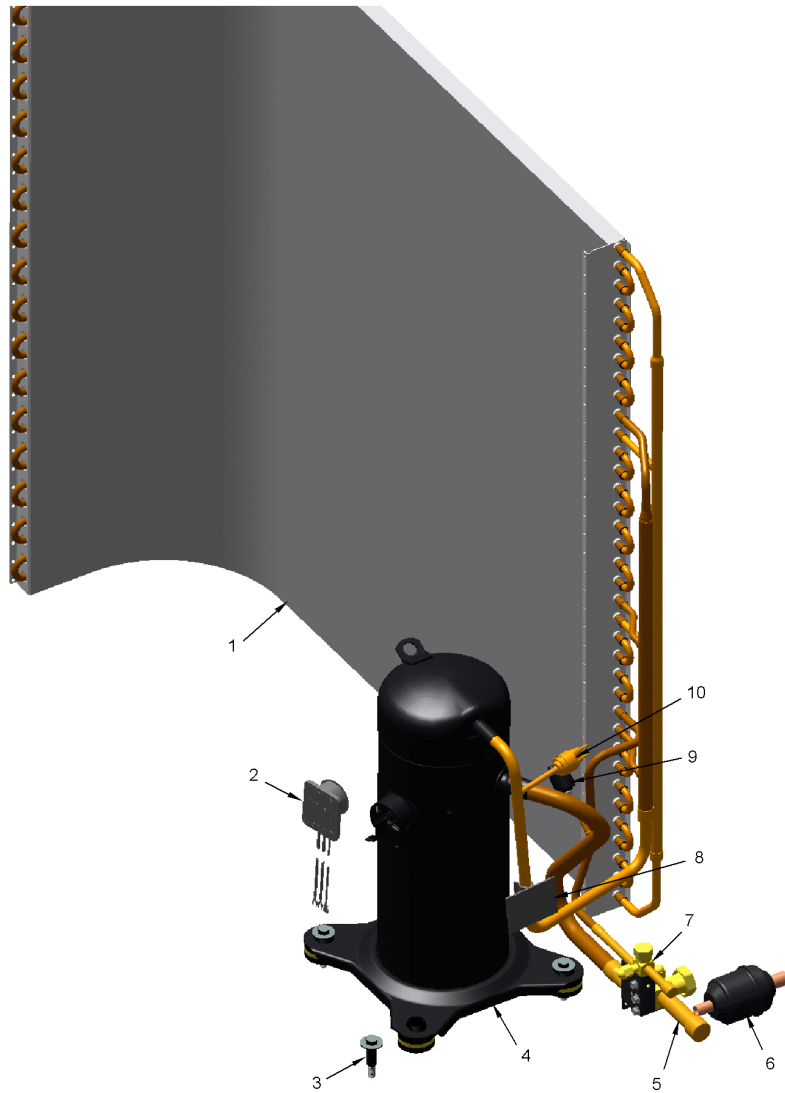
Model Number :4TTL6036A1000AA

Part No.	Reference No.	Quantity	Description
75012082_4TTL6UP1_367898~P	*		REFRIGERATION PARTS LIST

REFRIGERATION

75012082

REV.  
A



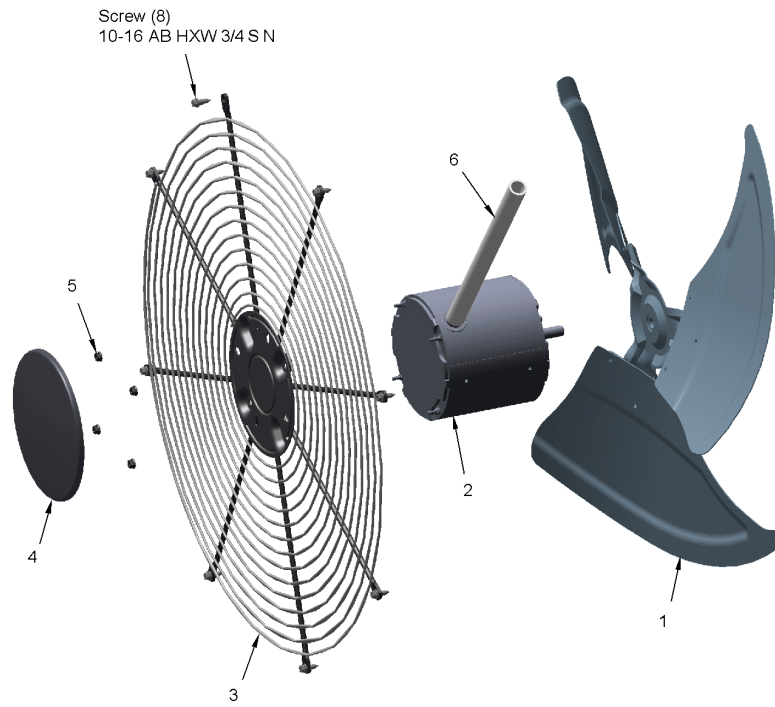
This is a typical illustration. The unit in the field may not appear exactly as shown.

Part No.	Reference No.	Quantity	Description
COL27890	1	1	COIL; OUTDOOR, PLATE FIN
PLU01299	2	1	PLUG; SCROLL COMPRESSOR HARNESS, BK/BL, OR, RD WIRES, 46 IN LENGTH
SCR01914	3	4	SCREW, ASSEMBLY COMPRESSOR, 5/16-12 TYPE B, W/WASHER & SLEEVE
COM11968	4	1	COMPRESSOR; SCROLL; LG; LBA031C1CLA; 3 TON; 30,800 BTUH; 208/230-60-1; R-410A; BRAZED; SUCTION 3/4; DISCHARGE 1/2
CAP01315	5	1	CAP; SERVICE LIQUID VALVE, BRASS, 1.06 OD X 0.81 ID X 15/16-20UNEF-2B
VAL09296	5	1	VALVE; SERVICE GAS ASSEMBLY, .75 ODS X .75 ODS, FEMALE BRAZE TO FEMALE BRAZE, LEFT HAND MOUNTING HOLES - D155662P02
DHY01457	6	1	DRIER; LIQUID LINE; SERVICE FIRST; 5 CU. IN.; 5.4 TON CAPACITY; 3/8" ODF INLET X 3/8" ODF OUTLET; APPROVED FOR MINERAL OIL AND POE OIL REFRIGERANTS
CAP01336	7	1	CAP; SERVICE LIQUID VALVE, BRASS, 0.75 OD X 0.57 ID X 11/16-28UN-2B
VAL09293	7	1	VALVE, SERVICE LIQUID, .38 OD X .38 OD, VALVE ASSY
SPC00388	8	1	SPACER; TUBE
SWT03654	9	1	SWITCH; LOW PRESSURE, OPEN @ 50 PSIG, CLOSE @ 70 PSIG
SWT03273	10	1	SWITCH, HIGH PRESSURE, SPST, OPEN @ 650 PSIG, CLOSE @ 500 PSIG, 88" YELLOW LEAD

FAN

75012081

REV.  
A



This is a typical illustration. The unit in the field may not appear exactly as shown.

Parts List Number :75012076#4TTL6UP1

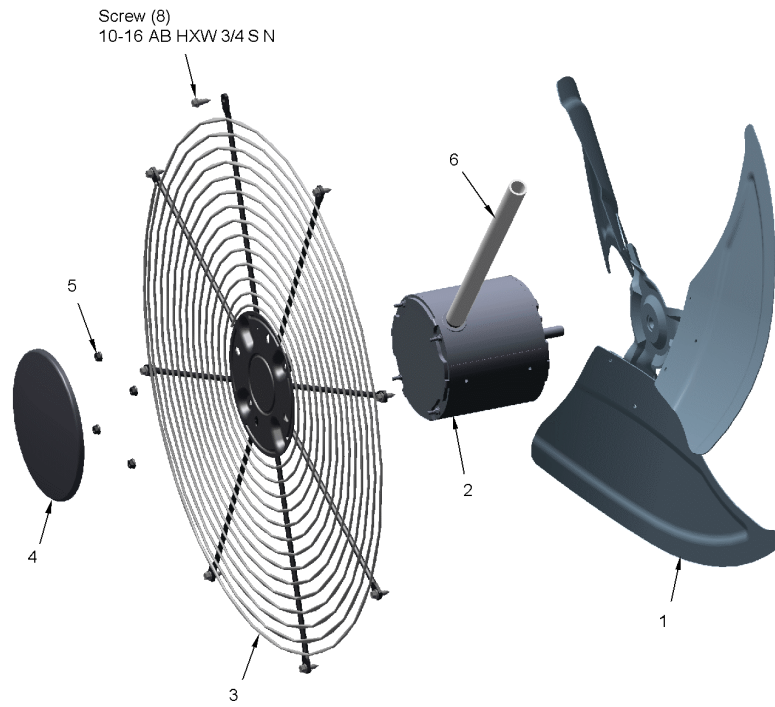
Model Number :4TTL6036A1000AA

Part No.	Reference No.	Quantity	Description
75012081_4TTL6UP1_357119~P	*		FAN PARTS LIST

FAN

75012081

REV.  
A



This is a typical illustration. The unit in the field may not appear exactly as shown.

Parts List Number :75012076#4TTL6UP1

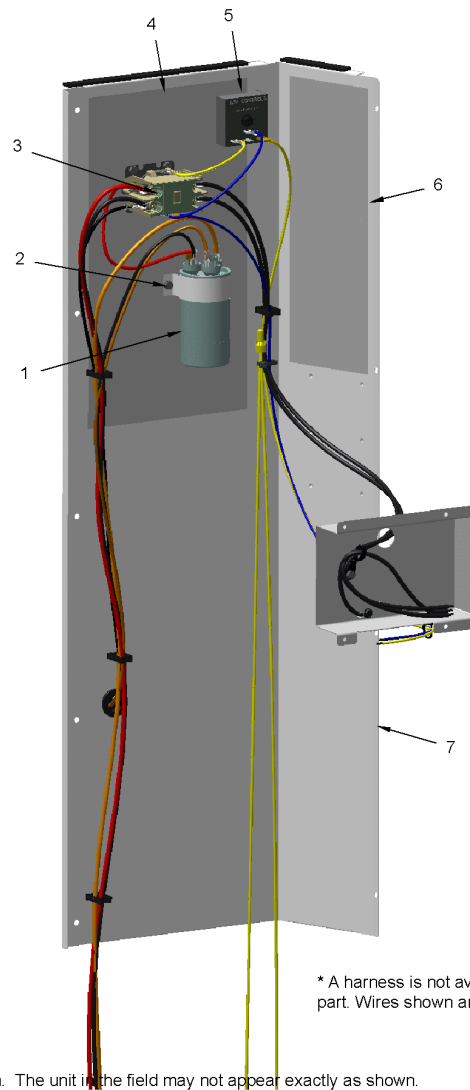
Model Number :4TTL6036A1000AA

<b>Part No.</b>	<b>Reference No.</b>	<b>Quantity</b>	<b>Description</b>
FAN05904	1	1	FAN; BLADE (18 DEG 3 SWEPT)
MOT17989	2	1	MOTOR; 1/8 HP FAN MOTOR
GRL01348	3	1	GRILLE; FAN, 29 IN DIA, SPIRAL WIRE, BASALT GREY
COV03250	4	1	COVER; MOTOR, 6.86 DIA
NUT00845	5	4	NUT; FLANGE NIBBED
GRD01633	6	1	GUARD; TROUGH-LEAD

CONTROLS

75012080

REV.  
A



\* A harness is not available as a replacement part. Wires shown are only individual wires.

This is a typical illustration. The unit in the field may not appear exactly as shown.

Parts List Number :75012076#4TTL6UP1

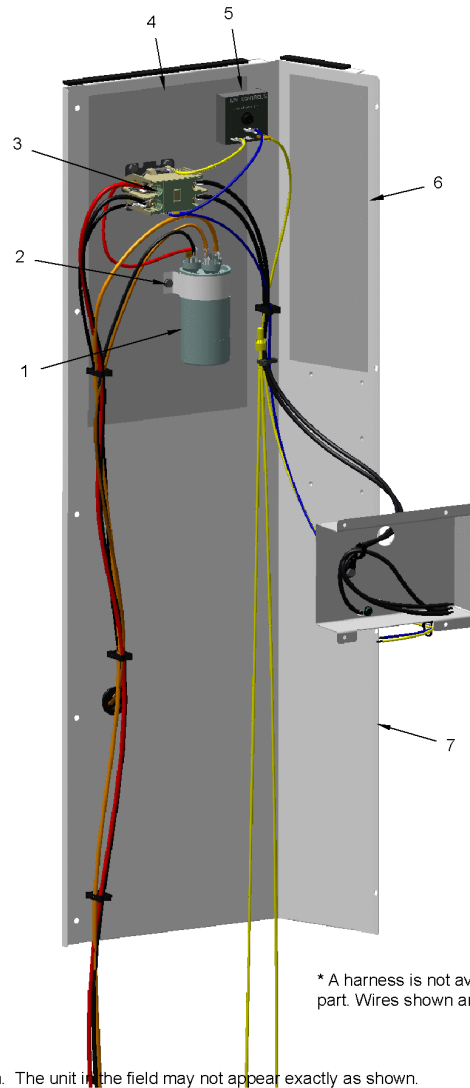
Model Number :4TTL6036A1000AA

Part No.	Reference No.	Quantity	Description
75012080_4TTL6UP1_357118~P	*		CONTROLS PARTS LIST

CONTROLS

75012080

REV.  
A



\* A harness is not available as a replacement part. Wires shown are only individual wires.

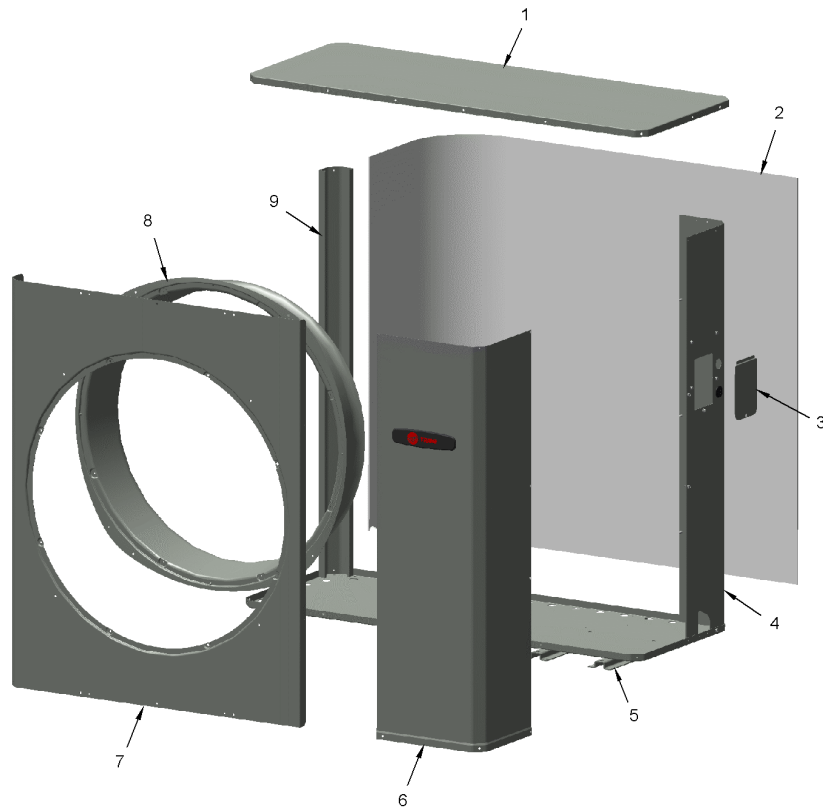
This is a typical illustration. The unit in the field may not appear exactly as shown.

<b>Part No.</b>	<b>Reference No.</b>	<b>Quantity</b>	<b>Description</b>
SCR01918	*	5	SCREW, 10-24 THREAD ROLL, INDENT HEX WASHER HD
CPT02380	1	1	CAPACITOR; DUAL, 45/5 MFD, 370V, ROUND, W/O RESISTOR
SRP00269	2	1	STRAP; CAPACITOR
CTR00845	3	1	CONTACTOR; 30 AMP, 240/480/600V, 24V COIL, 1 POLE
SHD00592	4	1	SHIELD; MOISTURE, 13.88 X 7.50
RLY03032	5	1	RELAY; TIME DELAY, SPST, 3 MIN, 1A, 120V
SHD00387	6	1	SHIELD; MOISTURE, 10.25 X 4.00
PNL34708	7	1	PANEL; CONTROLS, 14.36 X 36.00

CABINET

75012078

REV.  
A



This is a typical illustration. The unit in the field may not appear exactly as shown.

Parts List Number :75012076#4TTL6UP1

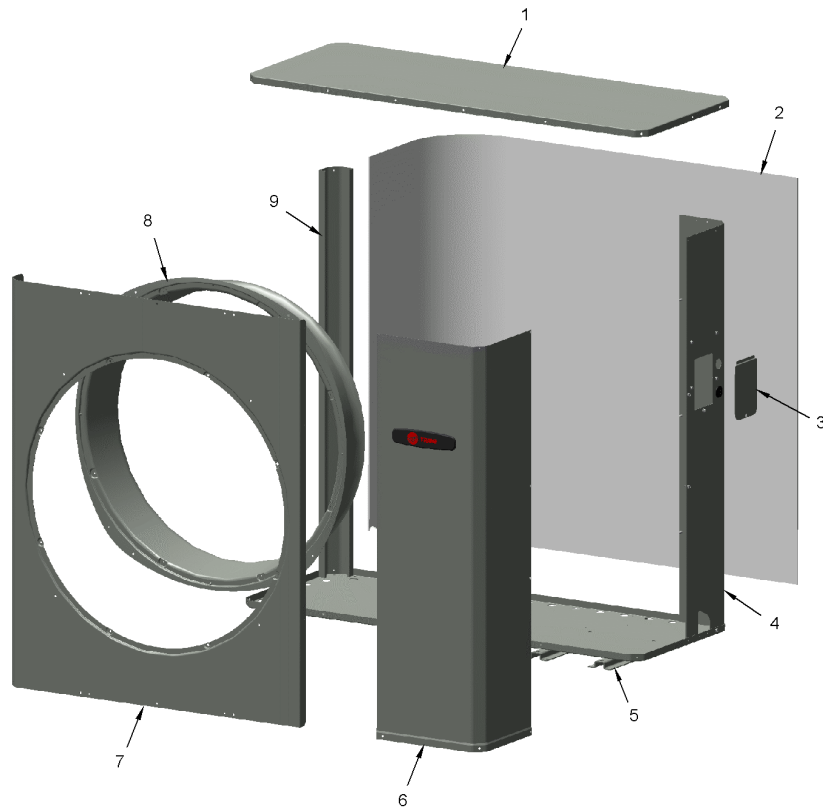
Model Number :4TTL6036A1000AA

Part No.	Reference No.	Quantity	Description
75012078_4TTL6UP1_166586~P	*		CABINET PARTS LIST

CABINET

75012078

REV.  
A



This is a typical illustration. The unit in the field may not appear exactly as shown.

<b>Part No.</b>	<b>Reference No.</b>	<b>Quantity</b>	<b>Description</b>
PAI00246	*	1	PAINT; SPRAY, TARPAULIN GRAY (SHIPPING UOM 12 OZ HAZ)
COV05328	1	1	COVER; TOP, 47.00 X 17.50
GRD01977	2	1	GUARD; COIL, BLACK POLYETHYLENE MESH, 53 X 36
DOR04389	3	1	DOOR; SERVICE PANEL, 5.75 X 4.25
PNL34715	4	1	PANEL; SERVICE, 36 H
RAL01194	5	3	RAIL; BASE, 20.50 X 2.65 X 0.65
PNL34721	6	1	PANEL; ACCESS, 35.81 H
PNL34729	7	1	PANEL; FRONT, 34.62 X 36.00 X 29.70 DIA OPENING
ORF02011	8	1	ORIFICE; BASE, 39.5 ID DIA
PNL34711	9	1	PANEL; CORNER POST, 36 H

**MODEL NUMBER DESCRIPTION**  
**OUTDOOR UNITS**

75005586

REV  
E

*Example Model Number:*

**4 TWV 0 0 3 6 A 1 0 0 0 A A**  
1 - - - - 5 - - - - 10 - - - - 15

**Digit 1 – Refrigerant Type**

2 = R-22  
4 = R-410A

**Digit 2 – Trane**

**Digit 3 – Product Type**

W = Split Heat Pump  
T = Split Cooling

**Digit 4 – Product Family**

V = Variable Speed  
Z = Leadership - Two Stage  
X = Leadership  
R = Replacement/Retail  
M or B = Basic  
A = Light Commercial  
L = Side Discharge  
S = Side Discharge 3 Phase

**Digit 5 – Family SEER**

3 = 13    7 = 17  
4 = 14    8 = 18  
5 = 15    9 = 19  
6 = 16    0 = 20

**Digits 6 – Split System Connections 1-6 Tons**

0 = Brazed

**Digits 7,8 – Nominal Capacity in 000s BTUs**

**Digit 9 – Major Design Modifications**

**Digit 10 – Power Supply**

1 = 200-230/1/60 or 208-230/1/60  
3 = 200-230/3/60  
4 = 460/3/60  
5 = 400/3/60  
A = 220-240/1/50  
D = 380-415/3/50

**Digit 11,12,13 – Secondary Function**

**Digit 14 – Minor Design Modifications**

**Digit 15 – Unit Parts Identifier**

Part No.	Reference No.	Quantity	Description
75005586_4TTL6UP1_166585~P	*		MODEL NUMBER DESCRIPTION PARTS LIST

MODEL NUMBER DESCRIPTION

75005586

REV  
D

OUTDOOR UNITS

*Example Model Number:*

**4 TWV 00 3 6 A 1 0 0 0 A A**  
1 - - - 5 - - - 10 - - - 15

**Digit 1 – Refrigerant Type**

2 = R-22  
4 = R-410A

**Digit 2 – Trane**

**Digit 3 – Product Type**

W = Split Heat Pump  
T = Split Cooling

**Digit 4 – Product Family**

V = Variable Speed  
Z = Leadership - Two Stage  
X = Leadership  
R = Replacement/Retail  
M or B = Basic  
A = Light Commercial  
L = Side Discharge

**Digit 5 – Family SEER**

3 = 13      7 = 17  
4 = 14      9 = 19  
5 = 15      9 = 19  
6 = 16      0 = 20

**Digits 6 – Split System Connections 1-6 Tons**

0 = Brazed

**Digits 7,8 – Nominal Capacity in 000s BTUs**

**Digit 9 – Major Design Modifications**

**Digit 10 – Power Supply**

1 = 200-230/1/60 or 208-230/1/60  
3 = 200-230/3/60  
4 = 460/3/60

**Digit 11,12,13 – Secondary Function**

**Digit 14 – Minor Design Modifications**

**Digit 15 – Unit Parts Identifier**

OPTIONAL ACCESSORIES

Parts List Number :75012076#4TTL6UP1

Model Number :4TTL6036A100AA

Part No.	Reference No.	Quantity	Description
ZZOPTIONS_4TTL6UP1_28092 8-P	*		OPTIONAL ACCESSORIES PARTS LIST

Part No.	Reference No.	Quantity	Description
BAYKSKT263	*	1	KIT; COMPRESSOR START KIT
BAYLEGS004	*	1	KIT; SNOW LEGS, CONTAINS (4) 4" MOUNTING LEGS
BAYLEGS007	*	1	KIT; SNOW LEGS, CONTAINS (4) 7" MOUNTING LEGS
BRK04811	*	1	BRACKET; WALL BRACKET, HOLDS UP TO 500 LBS.
KIT06322	*	1	KIT; LOW TEMP COOLING (AY28X079)
KIT08412	*	1	KIT; SOUND ENCLOSURE, (BAYSDEN003), (MODELS WITH SMALL FRAME (QUANTUM) SCROLL COMPRESSORS NO LARGER THAN 16.4" TALL OR 6.6" IN DIAMETER EXCEPT IN CABINET HEIGHTS 25.0" OR SHORTER)
KIT09425	*	1	KIT; ISOLATOR (BAYISLT101) (CONTAINS A QTY OF 5 ISOLATORS)
KIT17747	*	1	KIT; CRANKCASE HEATER FOR SCROLLS, 40W, 230V (BAYCCHT302RES), 5.5 DIA, 74 IN LENGTH