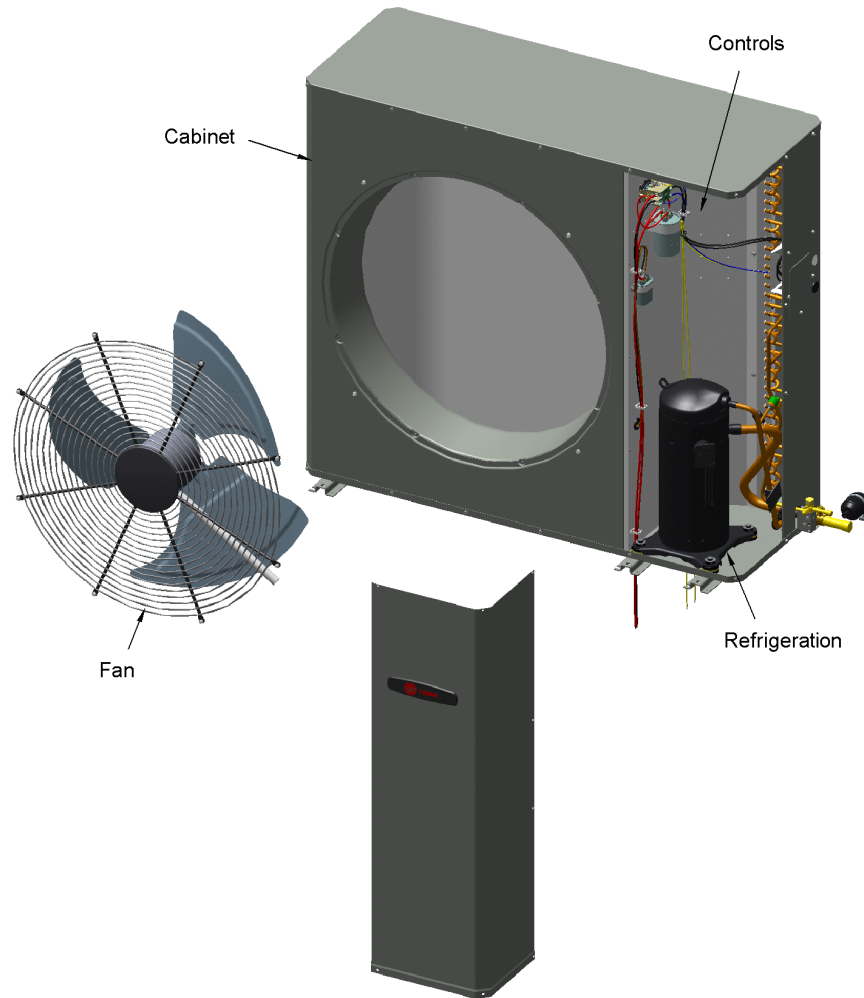


XR16 LOW PROFILE AIR CONDITIONER

75012076

REV.
A



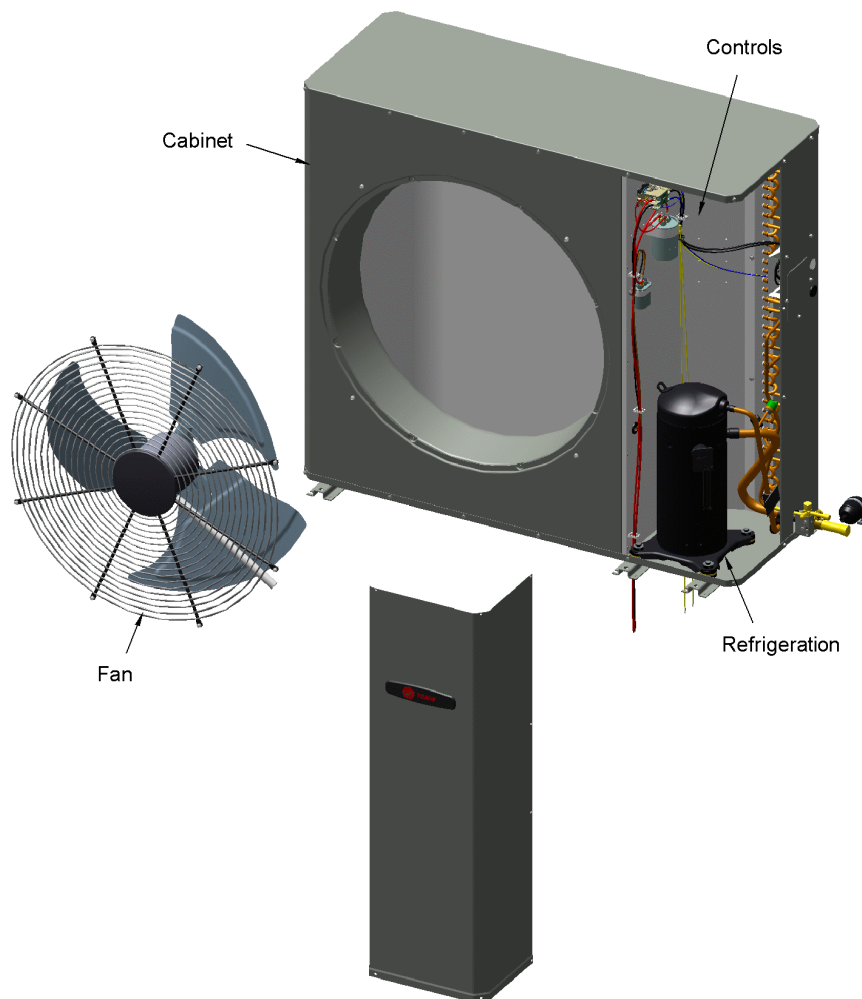
This is a typical illustration. The unit in the field may not appear exactly as shown.

Part No.	Reference No.	Quantity	Description
75012078#4TTL6UP1~S	*		CABINET
75012080#4TTL6UP1~S	*		CONTROLS
75012081#4TTL6UP1~S	*		FAN
75005586#4TTL6UP1~S	*		MODEL NUMBER DESCRIPTION
ZZOPTIONS#4TTL6UP1~S	*		OPTIONAL ACCESSORIES
75012082#4TTL6UP1~S	*		REFRIGERATION
75012076_4TTL6UP1_166584~P	*		XR16 LOW PROFILE AIR CONDITIONER PARTS LIST

XR16 LOW PROFILE AIR CONDITIONER

75012076

REV.
A

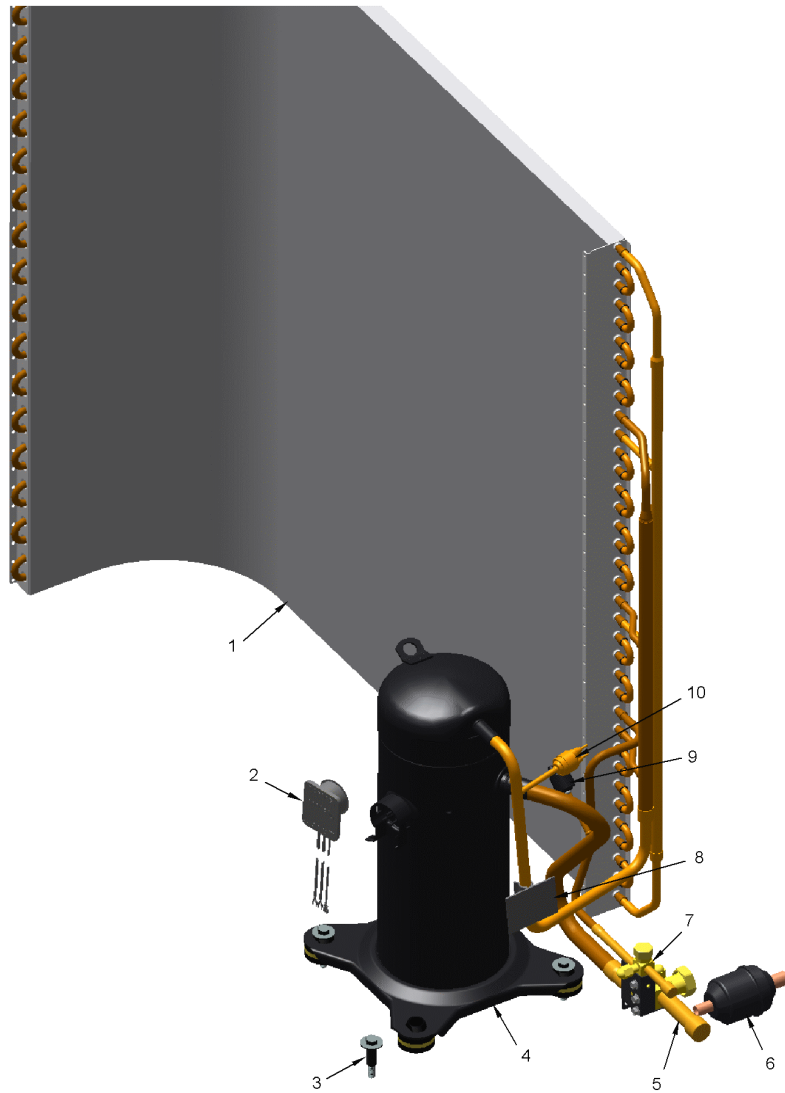


This is a typical illustration. The unit in the field may not appear exactly as shown.

REFRIGERATION

75012082

REV.
A



This is a typical illustration. The unit in the field may not appear exactly as shown.

Parts List Number :75012076#4TTL6UP1

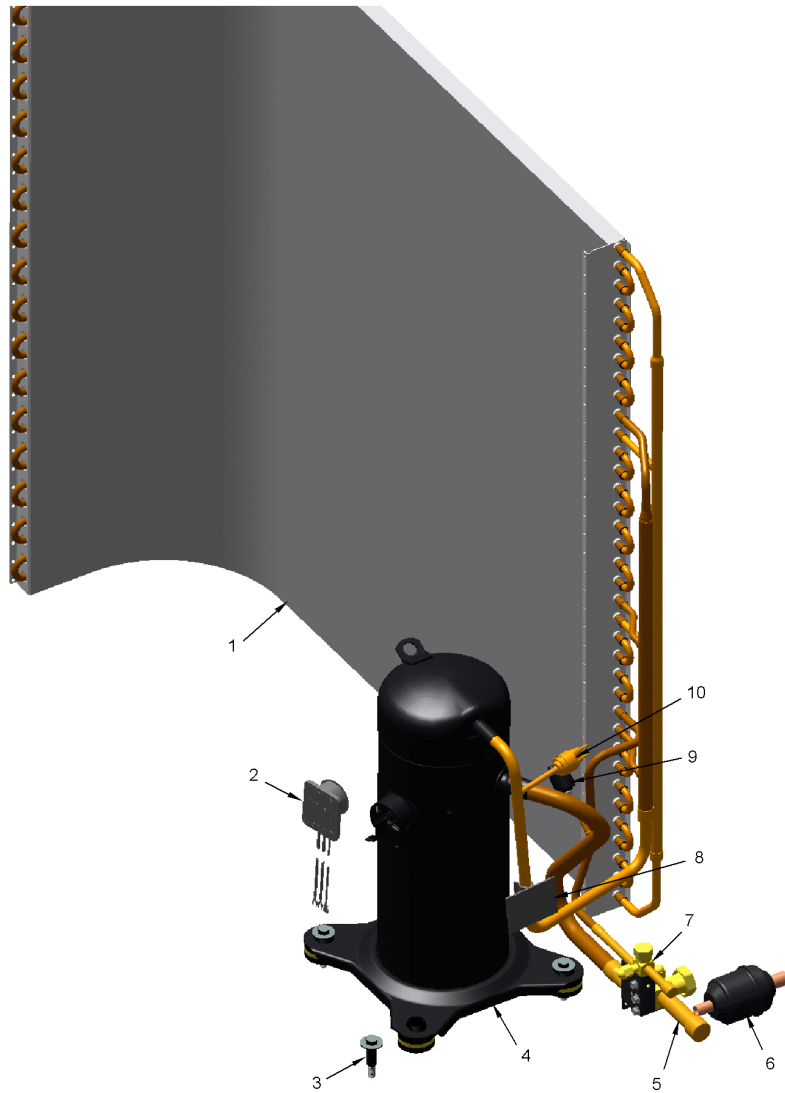
Model Number :4TTL6030A1000AA

Part No.	Reference No.	Quantity	Description
75012082_4TTL6UP1_343034~P	*		REFRIGERATION PARTS LIST

REFRIGERATION

75012082

REV.
A



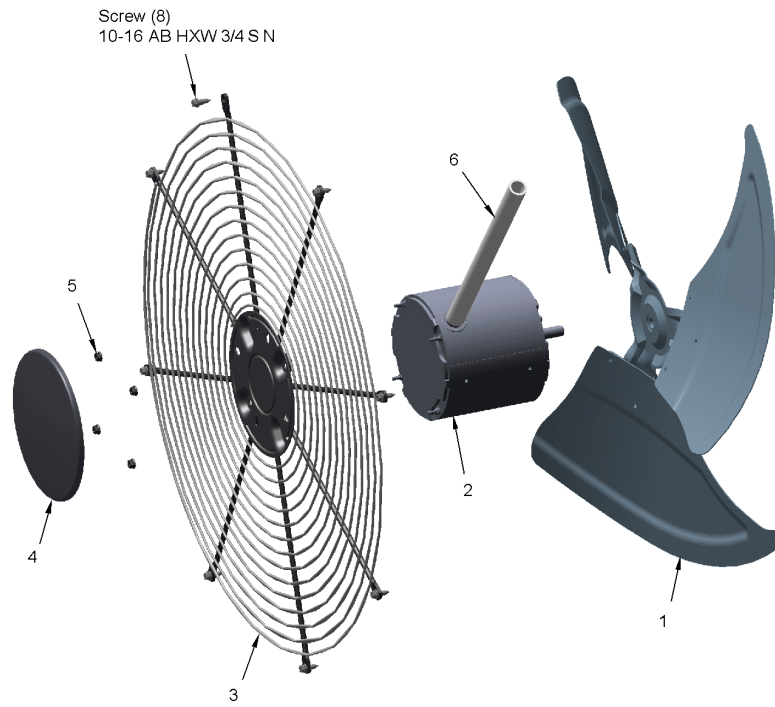
This is a typical illustration. The unit in the field may not appear exactly as shown.

Part No.	Reference No.	Quantity	Description
COL27888	1	1	COIL; OUTDOOR, PLATE FIN
WIR02681	2	1	WIRE; PLUG, SCROLL COMPRESSOR, QTY (2) #12 GAUGE, (1) #14 GAUGE
SCR01914	3	4	SCREW, ASSEMBLY COMPRESSOR, 5/16-12 TYPE B, W/WASHER & SLEEVE
COM11525	4	1	COMPRESSOR; SCROLL, ALLIANCE, SBA024C1CPZ, 2.0 TON, 24,000 BTUH, 208/230-60-1, R410-A, BRAZED, SUCTION 3/4, DISCHARGE 1/2, RLA 14.3
CAP01315	5	1	CAP; SERVICE LIQUID VALVE, BRASS, 1.06 OD X 0.81 ID X 15/16-20UNEF-2B
VAL09296	5	1	VALVE; SERVICE GAS ASSEMBLY, .75 ODS X .75 ODS, FEMALE BRAZE TO FEMALE BRAZE, LEFT HAND MOUNTING HOLES - D155662P02
DHY01457	6	1	DRIER; LIQUID LINE; SERVICE FIRST; 5 CU. IN.; 5.4 TON CAPACITY; 3/8" ODF INLET X 3/8" ODF OUTLET; APPROVED FOR MINERAL OIL AND POE OIL REFRIGERANTS
CAP01336	7	1	CAP; SERVICE LIQUID VALVE, BRASS, 0.75 OD X 0.57 ID X 11/16-28UN-2B
VAL09293	7	1	VALVE, SERVICE LIQUID, .38 OD X .38 OD, VALVE ASSY
SPC00388	8	1	SPACER; TUBE
SWT03654	9	1	SWITCH; LOW PRESSURE, OPEN @ 50 PSIG, CLOSE @ 70 PSIG
SWT03274	10	1	SWITCH, HIGH PRESSURE, SPST, OPEN @ 650 PSIG, CLOSE @ 500 PSIG, 75" YELLOW LEAD

FAN

75012081

REV.
A



This is a typical illustration. The unit in the field may not appear exactly as shown.

Parts List Number :75012076#4TTL6UP1

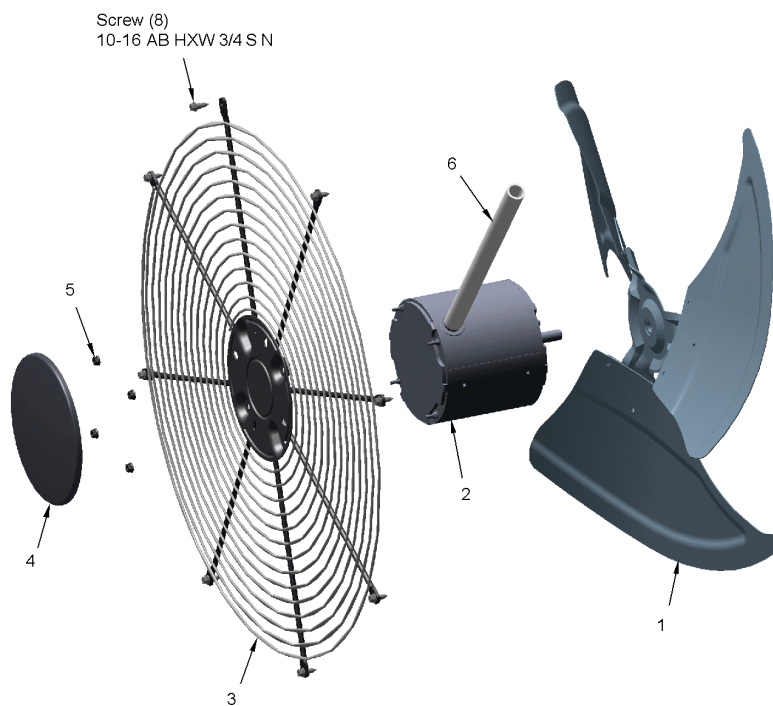
Model Number :4TTL6030A1000AA

Part No.	Reference No.	Quantity	Description
75012081_4TTL6UP1_318220~P	*		FAN PARTS LIST

FAN

75012081

REV.
A



This is a typical illustration. The unit in the field may not appear exactly as shown.

Parts List Number :75012076#4TTL6UP1

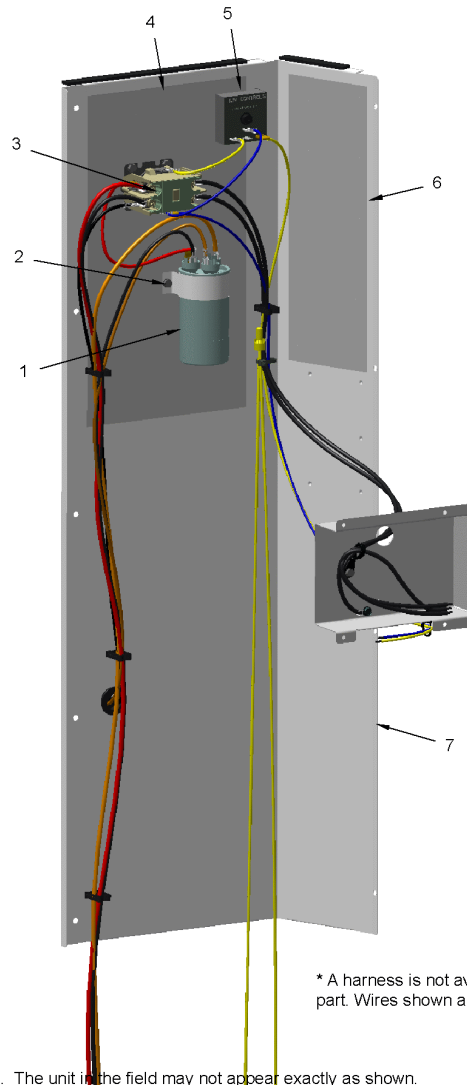
Model Number :4TTL6030A1000AA

Part No.	Reference No.	Quantity	Description
FAN05905	1	1	FAN; BLADE (20 DEG 3 SWEPT)
MOT17988	2	1	MOTOR; 1/12 HP FAN MOTOR (ALUMINUM)
GRL01347	3	1	GRILLE; FAN, 25.51 MOUNTING DIA
COV03250	4	1	COVER; MOTOR, 6.86 DIA
NUT00845	5	4	NUT; FLANGE NIBBED
GRD01715	6	1	GUARD; TROUGH-LEAD, 11 IN L X 0.83 OD

CONTROLS

75012080

REV.
A



This is a typical illustration. The unit in the field may not appear exactly as shown.

Parts List Number :75012076#4TTL6UP1

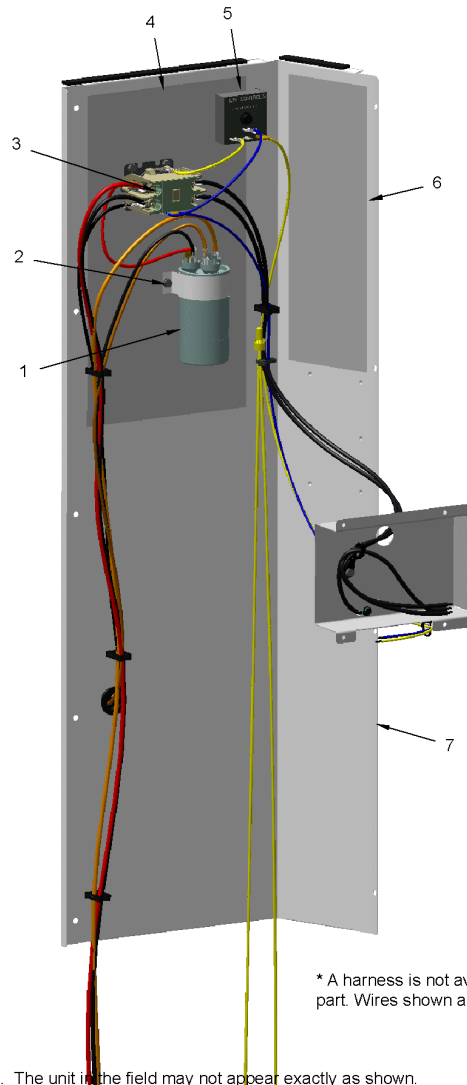
Model Number :4TTL6030A1000AA

Part No.	Reference No.	Quantity	Description
75012080_4TTL6UP1_280925~P	*		CONTROLS PARTS LIST

CONTROLS

75012080

REV.
A



* A harness is not available as a replacement part. Wires shown are only individual wires.

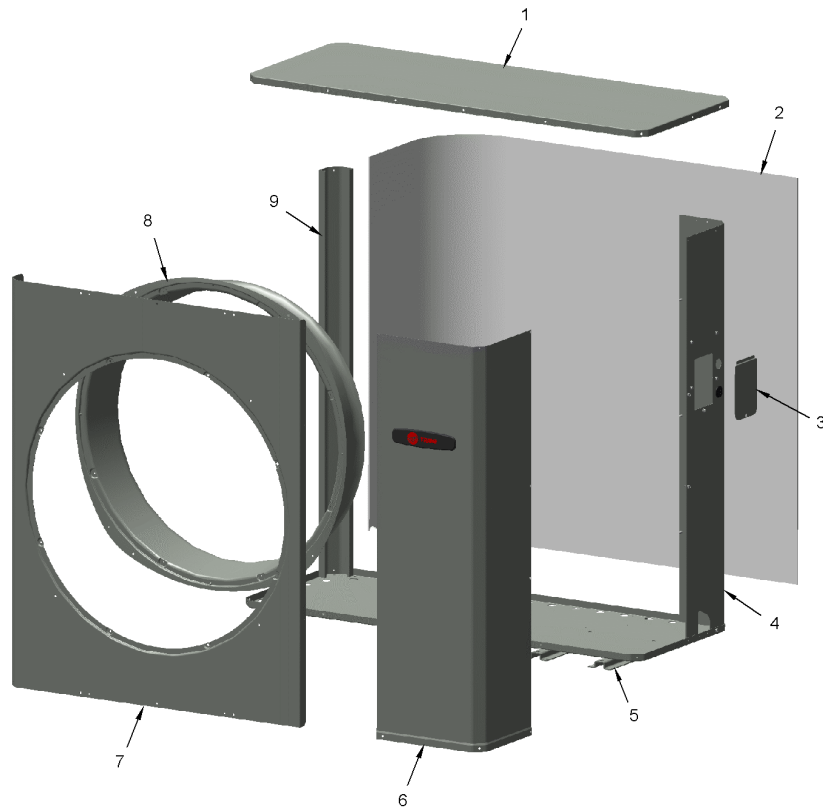
This is a typical illustration. The unit in the field may not appear exactly as shown.

Part No.	Reference No.	Quantity	Description
SCR01918	*	5	SCREW, 10-24 THREAD ROLL, INDENT HEX WASHER HD
CPT00977	1	1	CAPACITOR; DUAL, 35/5 MFD, 440V, ROUND, W/O RESISTOR
SRP00269	2	1	STRAP; CAPACITOR
CTR00845	3	1	CONTACTOR; 30 AMP, 240/480/600V, 24V COIL, 1 POLE
SHD00592	4	1	SHIELD; MOISTURE, 13.88 X 7.50
RLY03032	5	1	RELAY; TIME DELAY, SPST, 3 MIN, 1A, 120V
SHD00387	6	1	SHIELD; MOISTURE, 10.25 X 4.00
PNL34710	7	1	PANEL; CONTROLS, 12.20 X 36.00

CABINET

75012078

REV.
A



This is a typical illustration. The unit in the field may not appear exactly as shown.

Parts List Number :75012076#4TTL6UP1

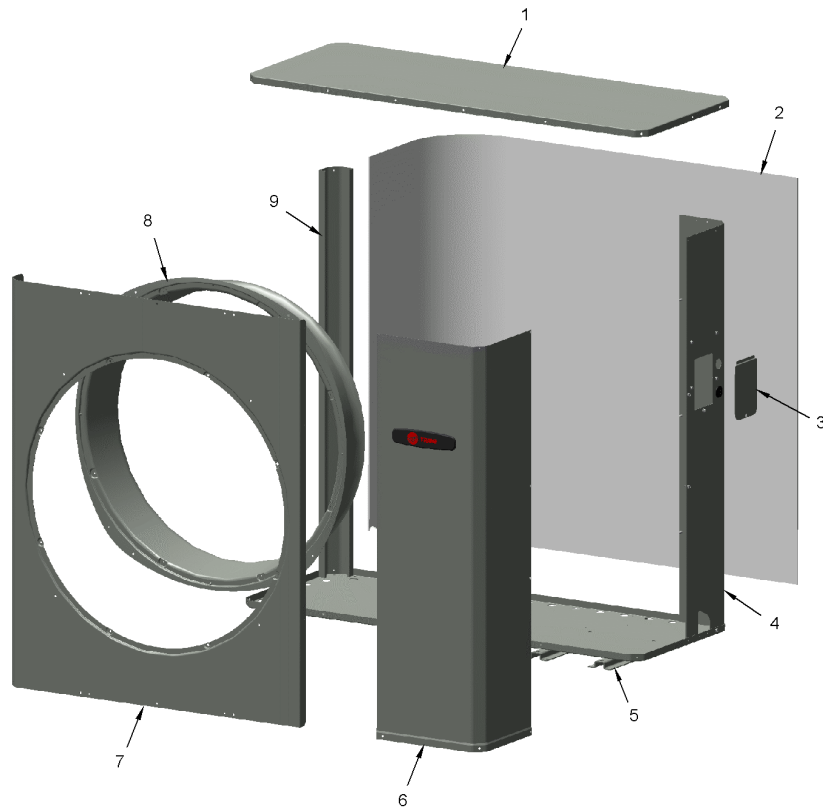
Model Number :4TTL6030A1000AA

Part No.	Reference No.	Quantity	Description
75012078_4TTL6UP1_280924~P	*		CABINET PARTS LIST

CABINET

75012078

REV.
A



This is a typical illustration. The unit in the field may not appear exactly as shown.

Part No.	Reference No.	Quantity	Description
PAI00246	*	1	PAINT; SPRAY, TARPAULIN GRAY (SHIPPING UOM 12 OZ HAZ)
COV05326	1	1	COVER; TOP, 40.00 X 14.50
GRD01966	2	1	GUARD; COIL, BLACK POLYETHYLENE MESH, 41 X 36
DOR04389	3	1	DOOR; SERVICE PANEL, 5.75 X 4.25
PNL34719	4	1	PANEL; SERVICE, 36 H
RAL01193	5	3	RAIL; BASE, 17.50 X 2.65 X 0.65
PNL34725	6	1	PANEL; ACCESS, 35.80 H
PNL34727	7	1	PANEL; FRONT, 28.64 X 36.00 X 25.11 DIA OPENING
ORF02009	8	1	ORIFICE; BASE, 36.0 ID DIA
PNL34711	9	1	PANEL; CORNER POST, 36 H

MODEL NUMBER DESCRIPTION
OUTDOOR UNITS

75005586

REV
E

Example Model Number:

4 TWV 0 0 3 6 A 1 0 0 0 A A
1 - - - - 5 - - - - 10 - - - - 15

Digit 1 – Refrigerant Type

2 = R-22
4 = R-410A

Digit 2 – Trane

Digit 3 – Product Type

W = Split Heat Pump
T = Split Cooling

Digit 4 – Product Family

V = Variable Speed
Z = Leadership - Two Stage
X = Leadership
R = Replacement/Retail
M or B = Basic
A = Light Commercial
L = Side Discharge
S = Side Discharge 3 Phase

Digit 5 – Family SEER

3 = 13 7 = 17
4 = 14 8 = 18
5 = 15 9 = 19
6 = 16 0 = 20

Digits 6 – Split System Connections 1-6 Tons

0 = Brazed

Digits 7,8 – Nominal Capacity in 000s BTUs

Digit 9 – Major Design Modifications

Digit 10 – Power Supply

1 = 200-230/1/60 or 208-230/1/60
3 = 200-230/3/60
4 = 460/3/60
5 = 400/3/60
A = 220-240/1/50
D = 380-415/3/50

Digit 11,12,13 – Secondary Function

Digit 14 – Minor Design Modifications

Digit 15 – Unit Parts Identifier

Part No.	Reference No.	Quantity	Description
75005586_4TTL6UP1_166585~P	*		MODEL NUMBER DESCRIPTION PARTS LIST

MODEL NUMBER DESCRIPTION

75005586

REV
D

OUTDOOR UNITS

Example Model Number:

4 TWV 00 3 6 A 1 0 0 0 A A
1 - - - 5 - - - 10 - - - 15

Digit 1 – Refrigerant Type

2 = R-22
4 = R-410A

Digit 2 – Trane

Digit 3 – Product Type

W = Split Heat Pump
T = Split Cooling

Digit 4 – Product Family

V = Variable Speed
Z = Leadership - Two Stage
X = Leadership
R = Replacement/Retail
M or B = Basic
A = Light Commercial
L = Side Discharge

Digit 5 – Family SEER

3 = 13 7 = 17
4 = 14 9 = 19
5 = 15 9 = 19
6 = 16 0 = 20

Digits 6 – Split System Connections 1-6 Tons

0 = Brazed

Digits 7,8 – Nominal Capacity in 000s BTUs

Digit 9 – Major Design Modifications

Digit 10 – Power Supply

1 = 200-230/1/60 or 208-230/1/60
3 = 200-230/3/60
4 = 460/3/60

Digit 11,12,13 – Secondary Function

Digit 14 – Minor Design Modifications

Digit 15 – Unit Parts Identifier

OPTIONAL ACCESSORIES

Parts List Number :75012076#4TTL6UP1

Model Number :4TTL6030A1000AA

Part No.	Reference No.	Quantity	Description
ZZOPTIONS_4TTL6UP1_28092 8-P	*		OPTIONAL ACCESSORIES PARTS LIST

Part No.	Reference No.	Quantity	Description
BAYKSKT263	*	1	KIT; COMPRESSOR START KIT
BAYLEGS004	*	1	KIT; SNOW LEGS, CONTAINS (4) 4" MOUNTING LEGS
BAYLEGS007	*	1	KIT; SNOW LEGS, CONTAINS (4) 7" MOUNTING LEGS
BRK04811	*	1	BRACKET; WALL BRACKET, HOLDS UP TO 500 LBS.
KIT06322	*	1	KIT; LOW TEMP COOLING (AY28X079)
KIT08412	*	1	KIT; SOUND ENCLOSURE, (BAYSDEN003), (MODELS WITH SMALL FRAME (QUANTUM) SCROLL COMPRESSORS NO LARGER THAN 16.4" TALL OR 6.6" IN DIAMETER EXCEPT IN CABINET HEIGHTS 25.0" OR SHORTER)
KIT09425	*	1	KIT; ISOLATOR (BAYISLT101) (CONTAINS A QTY OF 5 ISOLATORS)
KIT17747	*	1	KIT; CRANKCASE HEATER FOR SCROLLS, 40W, 230V (BAYCCHT302RES), 5.5 DIA, 74 IN LENGTH