

Part No.	Reference No.	Quantity	Description
0000147431~S	*		CABINETS
0000185748~S	*		COMPRESSOR MOUNTING
0000185746~S	*		COMPRESSOR
0000147430~S	*		CONTROLS
0000147429~S	*		FAN
0000147427~S	*		GENERAL ASSEMBLY
0000147433~S	*		MODEL NUMBER DESCRIPTION
0000147428~S	*		REFRIGERATION

Parts List Number :0000147261

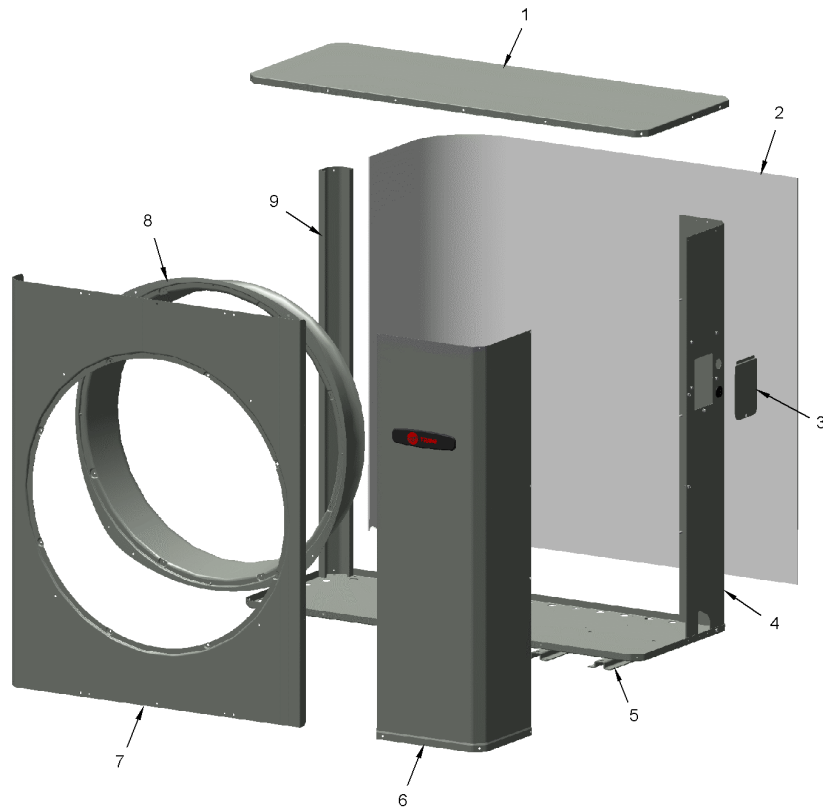
Model Number :4TTL5042N1000AA

Part No.	Reference No.	Quantity	Description
0000041028~P	*		CABINET PARTS LIST

CABINET

75012078

REV.
A



This is a typical illustration. The unit in the field may not appear exactly as shown.

Part No.	Reference No.	Quantity	Description
PAI00246	*	3	PAINT; SPRAY, TARPAULIN GRAY (SHIPPING UOM 12 OZ HAZ)
PAN04334	*	1	PAN; BASE 4 ZLL TR
SCR02010	*	37	SCREW; 12-18 AB HXW 1/2 SN
SCR02054	*	37	SCREW; 12-18 AB HXW 1/2 SN
COV05328	1	1	COVER; TOP, 47.00 X 17.50
PNL35591	2	1	PANEL; SERVICE 4.4 TR
DOR04389	3	1	DOOR; SERVICE PANEL, 5.75 X 4.25
PNL34722	4	1	PANEL; ACCESS, 41.81 H
RAL01194	5	3	RAIL; BASE, 20.50 X 2.65 X 0.65
PNL35669	7	1	PANEL; FRONT, 34.62 X 42.00 X 29.70 DIA OPENING
ORF02011	8	1	ORIFICE; BASE, 39.5 ID DIA
RAL01205	9	1	RAIL; POST-CORNER 4.4 TR

COMPRESSOR

Parts List Number :0000147261

Model Number :4TTL5042N1000AA

Part No.	Reference No.	Quantity	Description
0000040988~P	*		SCROLL COMPRESSOR

Part No.	Reference No.	Quantity	Description
COM13865	1	1	COMPRESSOR; SCROLL, LG

Part No.	Reference No.	Quantity	Description
000041047~P	*		COMPRESSOR MOUNTING PARTS LIST

Parts List Number :0000147261

Model Number :4TTL5042N1000AA

Part No.	Reference No.	Quantity	Description
ISR00362	1	4	ISOLATOR; VIBRATION
SCR01914	2	4	SCREW, ASSEMBLY COMPRESSOR, 5/16-12 TYPE B, W/WASHER & SLEEVE

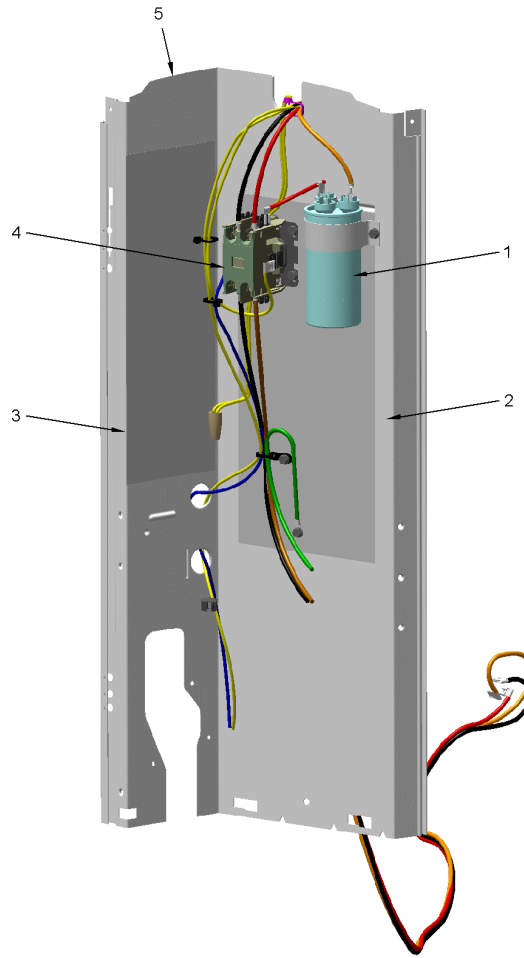
Part No.	Reference No.	Quantity	Description
0000041029~P	*		CONTROLS PARTS LIST

CONTROLS

75010701

REV
A

TYPICAL ILLUSTRATION



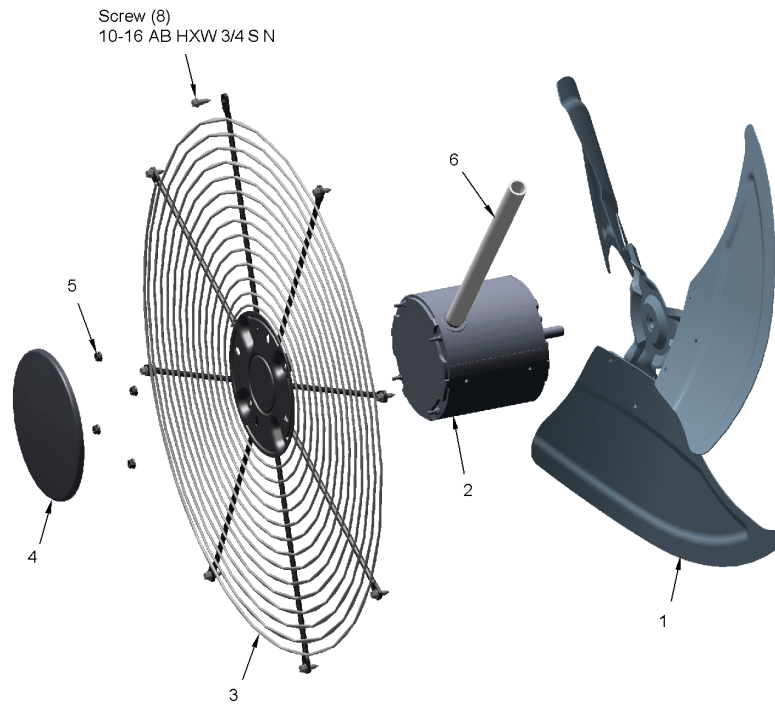
Part No.	Reference No.	Quantity	Description
TIE00007	1	3	TIE;CABLE
CTR00845	2	1	CONTACTOR; 30 AMP, 240/480/600V, 24V COIL, 1 POLE
SRP00093	3	1	STRAP;CAPACITOR
TIE00026	4	1	TIE; CABLE, 8-1/2IN.
TER00312	5	3	TERMINAL; 8IN. TIE CABLE
SHD00387	6	1	SHIELD; MOISTURE, 10.25 X 4.00
WIR09276	7	1	WIRE; COMPRESSOR PLUG
LUG00012	8	1	LUG, GROUND
CPT02657	9	1	CAPACITOR; 70+7.5 MFD 370V
RLY03865	10	1	RELAY; DELAY ON
SHD00592	11	1	SHIELD; MOISTURE, 13.88 X 7.50
SPC00512	12	1	SPACER; TUBING
CON00241	13	1	CONNECTOR; WIRE
SCR01918	14	5	SCREW, 10-24 THREAD ROLL, INDENT HEX WASHER HD

Part No.	Reference No.	Quantity	Description
000041027~P	*		FAN PARTS LIST

FAN

75012081

REV.
A



This is a typical illustration. The unit in the field may not appear exactly as shown.

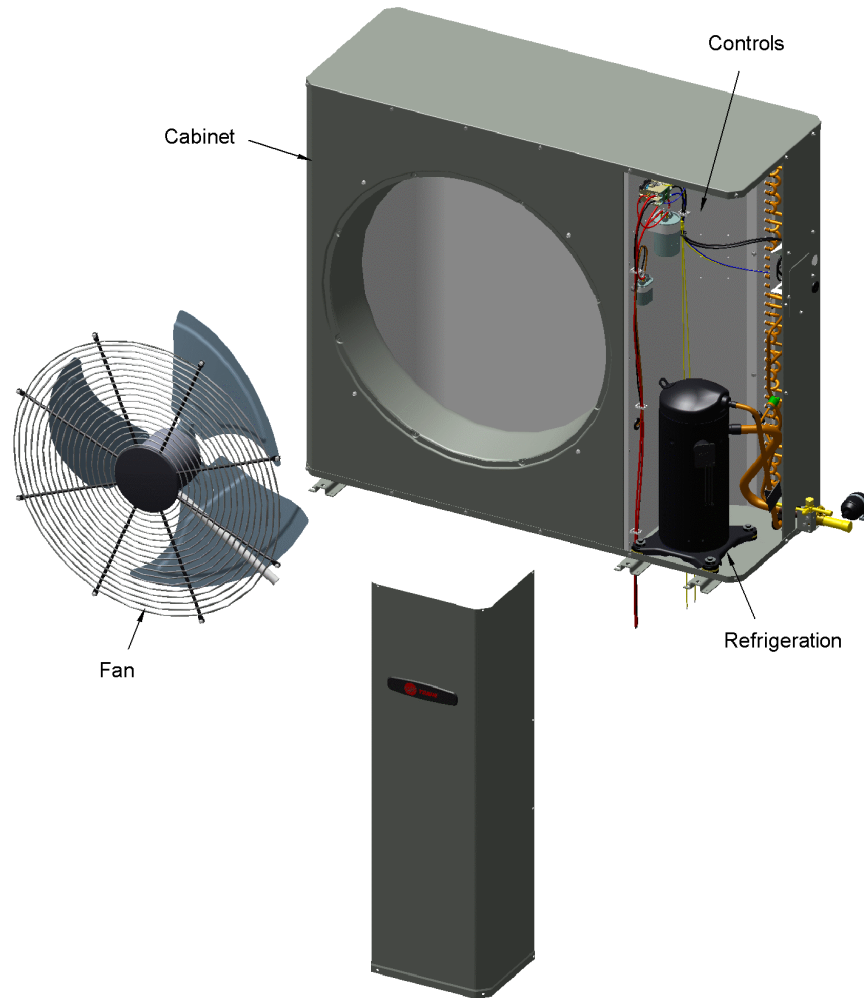
Part No.	Reference No.	Quantity	Description
MOT17989	*	1	MOTOR; 1/8 HP FAN MOTOR
GRD01633	1	1	GUARD; TROUGH-LEAD
FAN06038	2	1	FAN; SWEEP BLADE, 3 BLADE, ALUMINUM, 27.30 IN DIA, 21 DEG PITCH, 0.50 IN BORE, CCW, 1 SET SCREW-STEEL
NUT00845	3	4	NUT; FLANGE NIBBED
GRL01348	4	1	GRILLE; FAN, 29 IN DIA, SPIRAL WIRE, BASALT GREY

Part No.	Reference No.	Quantity	Description
0000025921~P	*		GENERAL ASSEMBLY PARTS LIST

XR16 LOW PROFILE AIR CONDITIONER

75012076

REV.
A



This is a typical illustration. The unit in the field may not appear exactly as shown.

Part No.	Reference No.	Quantity	Description
0000026107~P	*		MODEL NUMBER DESCRIPTION

MODEL NUMBER DESCRIPTION

75005587

REL
C

OUTDOOR UNITS

Example Model Number:

4 A 7 A 0 0 3 6 A 1 0 0 0 A A
1 - - - 5 - - - 10 - - - 15

Digit 1 – Refrigerant Type

2 = R-22
4 = R-410A

Digit 2 – American Standard

Digit 3 – Product Type

6,W = Split Heat Pump
7,T = Split Cooling

Digit 4 – Product Family

V = Variable Speed
Z = Leadership - Two Stage
X = Leadership
R = Replacement/Retail
M or B = Basic
A = Light Commercial
L = Side Discharge

Digit 5 – Family SEER

3 = 13 7 = 17
4 = 14 8 = 18
5 = 15 9 = 19
6 = 16 0 = 20

Digits 6 – Split System Connections 1-6 Tons

0 = Brazed

Digits 7,8 – Nominal Capacity in 000s BTUs

Digit 9 – Major Design Modifications

Digit 10 – Power Supply

1 = 200-230/1/60 or 208-230/1/60
3 = 200-230/3/60
4 = 460/3/60

Digit 11,12,13 – Secondary Function

Digit 14 – Minor Design Modifications

Digit 15 – Unit Parts Identifier

Part No.	Reference No.	Quantity	Description
0000040989~P	*		REFRIGERATION PARTS LIST

Part No.	Reference No.	Quantity	Description
CAP00156	*	0	CAP, TUBE PLUG, .447-.513 OD
COL31756	*	1	COIL; OUTDOOR, PLATE FIN
PAI00246	*	0	PAINT; SPRAY, TARPAULIN GRAY (SHIPPING UOM 12 OZ HAZ)
PLU00413	*	0	PLUG; TUBE
SCR02010	*	4	SCREW; 12-18 AB HXW 1/2 SN
SCR02054	*	4	SCREW; 12-18 AB HXW 1/2 SN
SPC00388	*	1	SPACER; TUBE
TIE00023	*	3	TIE;CABLE, 8.00IN.
SWT04147	1	1	SWITCH; HIGH PRESSURE, SPST, OPEN @ 650 PSIG, CLOSE @ 500 PSIG, 36 IN YELLOW/RED LEADS
SWT04149	2	1	SWITCH; LOW PRESSURE BZ
CAP01336	3	1	CAP; SERVICE LIQUID VALVE, BRASS, 0.75 OD X 0.57 ID X 11/16-28UN-2B
VAL20722	4	1	VALVE-SER LIQ O(06-06), A.8
CAP01431	5	1	CAP; SERVICE VALVE
CAP01411	5a	1	CAP; SERVICE VALVE, BRASS, 1.19 OD X 0.93 ID X 17/16-20UN-2B
VAL20010	6	1	VALVE; SER GAS O(12-14)