

SPLIT SYSTEM COOLING

75011195

REV
A



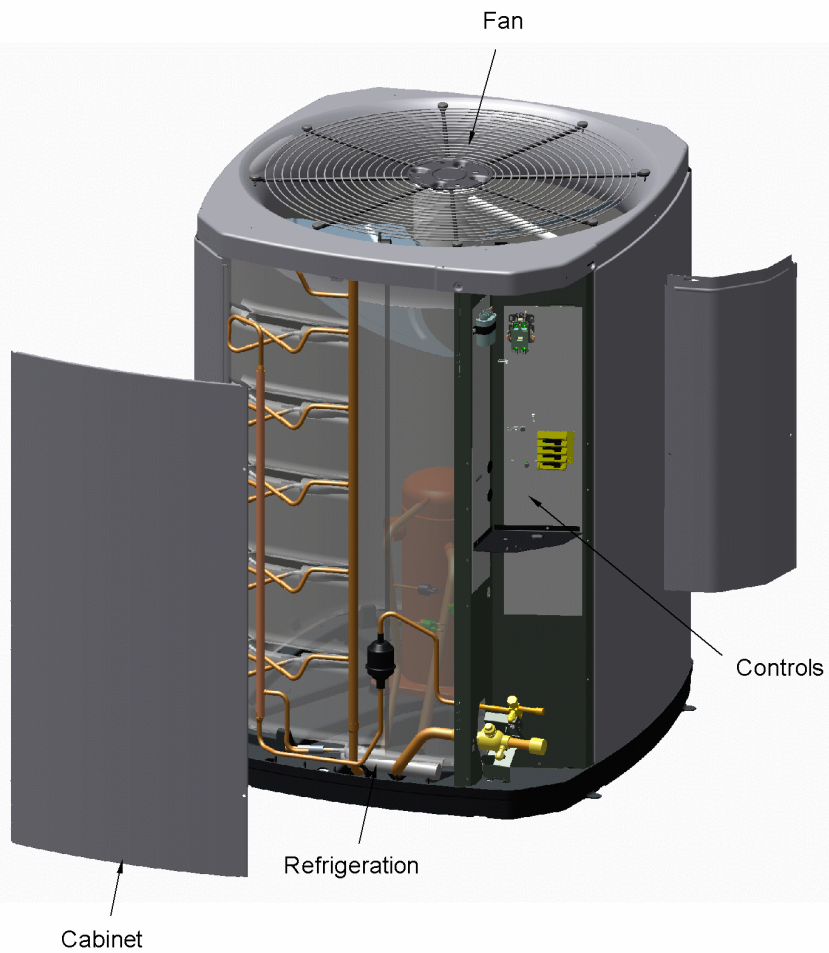
This is a typical illustration. The unit in the field may not appear exactly as shown.

Part No.	Reference No.	Quantity	Description
75010774#4TTA4UP1~S	*		CABINTRY
75011629#4TTA4UP1~S	*		CONTROLS
75010673#4TTA4UP1~S	*		FAN
75005586#4TTA4UP1~S	*		MODEL NUMBER DESCRIPTION
OPTIONS#4TTA4UP1~S	*		OPTIONAL ACCESSORIES
75011187#4TTA4UP1~S	*		REFRIGERATION
75011195_4TTA4UP1_17778~P	*		SPLIT SYSTEM COOLING PARTS LIST

SPLIT SYSTEM COOLING

75011195

REV.
A

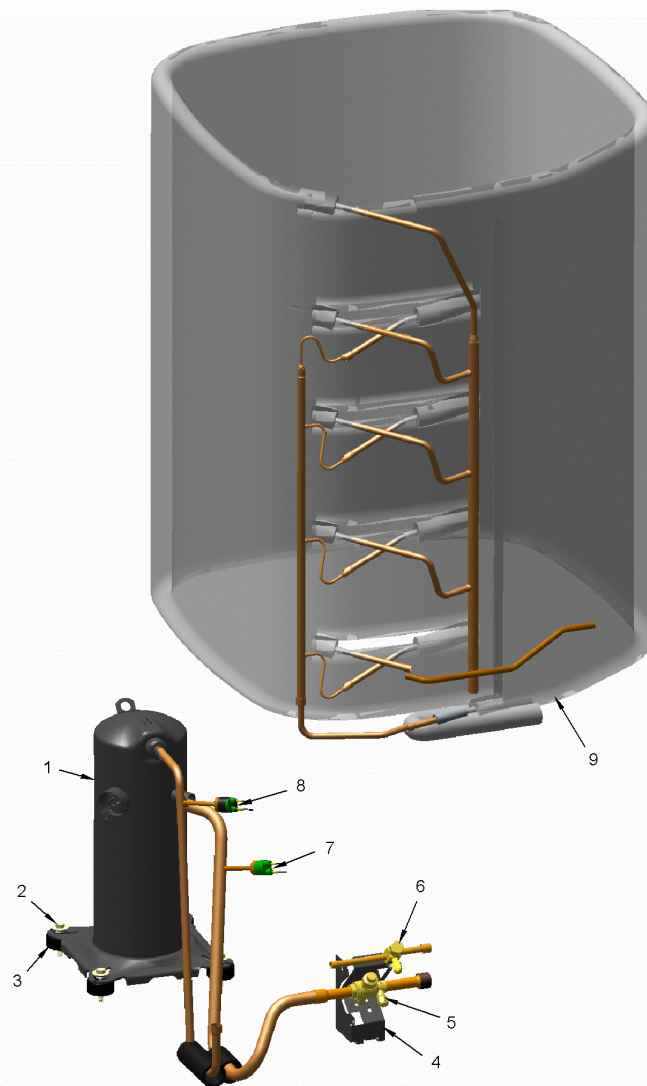


This is a typical illustration. The unit in the field may not appear exactly as shown.

REFRIGERATION

75011187

REV.
A



This is a typical illustration. The unit in the field may not appear exactly as shown.

Parts List Number :75011195#4TTA4UP1

Model Number :4TTA4036A4000AA

Part No.	Reference No.	Quantity	Description
75011187_4TTA4UP1_250696~P	*		REFRIGERATION PARTS LIST

REFRIGERATION

75011187

REV.
A



This is a typical illustration. The unit in the field may not appear exactly as shown.

Part No.	Reference No.	Quantity	Description
DHY01457	*	1	DRIER; LIQUID LINE; SERVICE FIRST; 5 CU. IN.; 5.4 TON CAPACITY; 3/8" ODF INLET X 3/8" ODF OUTLET; APPROVED FOR MINERAL OIL AND POE OIL REFRIGERANTS
HTR16603	*	1	HEATER; SUMP, BELLY BAND, 460V, 40W, 6.5 DIA, 74 IN LENGTH
SPC00386	*	1	SPACER; BASE, 5.50 X 1.00 X 0.50
SPC00512	*	3	SPACER; TUBING
SPC00513	*	3	SPACER; COIL
WIR03481	*	1	WIRE; PLUG-SCROLL COMPRESSOR
COM12145	1	1	COMPRESSOR; SCROLL, ALLIANCE, SBA029C4CPA, 2.5 TON, 29,000 BTUH, 460-60-3, R410-A, BRAZED, SUCTION 3/4, DISCHARGE 1/2, RLA 6.4
SCR01914	2	4	SCREW, ASSEMBLY COMPRESSOR, 5/16-12 TYPE B, W/WASHER & SLEEVE
ISR00007	3	4	ISOLATOR; VIBRATION
BRK03696	4	1	BRACKET; VALVE
VAL11186	5	1	VALVE; SERVICE GAS
VAL09293	6	1	VALVE, SERVICE LIQUID, .38 OD X .38 OD, VALVE ASSY
SWT03654	7	1	SWITCH; LOW PRESSURE, OPEN @ 50 PSIG, CLOSE @ 70 PSIG
SWT03274	8	1	SWITCH, HIGH PRESSURE, SPST, OPEN @ 650 PSIG, CLOSE @ 500 PSIG, 75" YELLOW LEAD
COL25247	9	1	COIL; OUTDOOR, SPINE FIN

FAN

75010673

REV
A

TYPICAL ILLUSTRATION



Parts List Number :75011195#4TTA4UP1

Model Number :4TTA4036A4000AA

Part No.	Reference No.	Quantity	Description
75010673_4TTA4UP1_250694~P	*		FAN PARTS LIST

FAN

75010673

REV
A

TYPICAL ILLUSTRATION



Parts List Number :75011195#4TTA4UP1

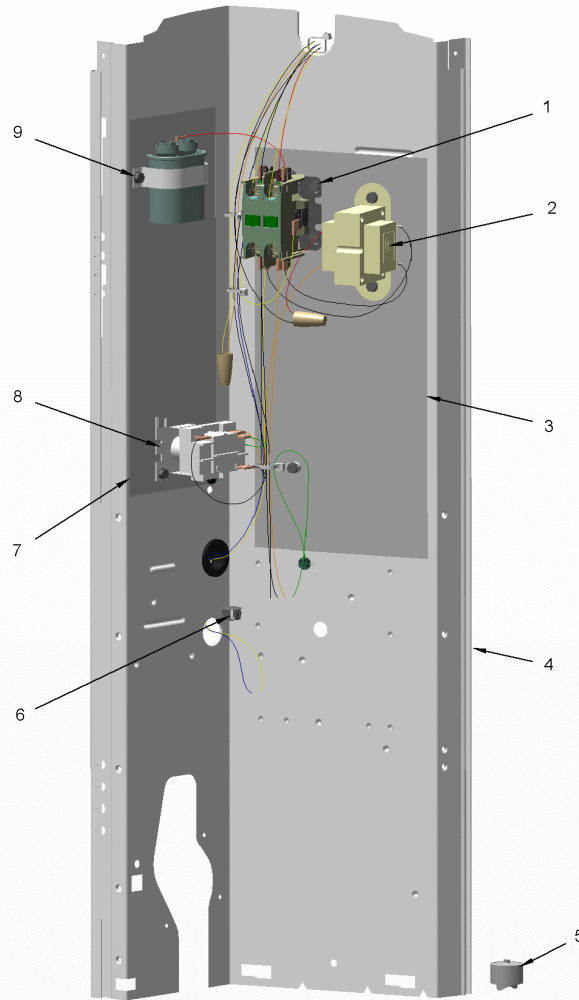
Model Number :4TTA4036A4000AA

Part No.	Reference No.	Quantity	Description
COV03250	*	1	COVER; MOTOR, 6.86 DIA
FAN04634	1	1	FAN; 2 SWEEP BLADES, 23 IN DIA, 28 DEG PITCH, .50 IN BORE, CCW, ALUMINUM, 1 SET SCREW-STEEL, SPIDER .050 THK
MOT17589	2	1	MOTOR; 1/8 HP, 460/60/1, 825 RPM, 48 FRAME, PSC, BALL BEARINGS, CCW, 5 MFD CPT AT 370V
GRL01347	3	1	GRILLE; FAN, 25.51 MOUNTING DIA
SCR02086	4	4	SCREW; 10-32 TR-3 HXW 3/8 S
GRD01415	5	1	GUARD, TROUGH-LEAD

CONTROLS

75011629

REV.
A



This is a typical illustration. The unit in the field may not appear exactly as shown.

Parts List Number :75011195#4TTA4UP1

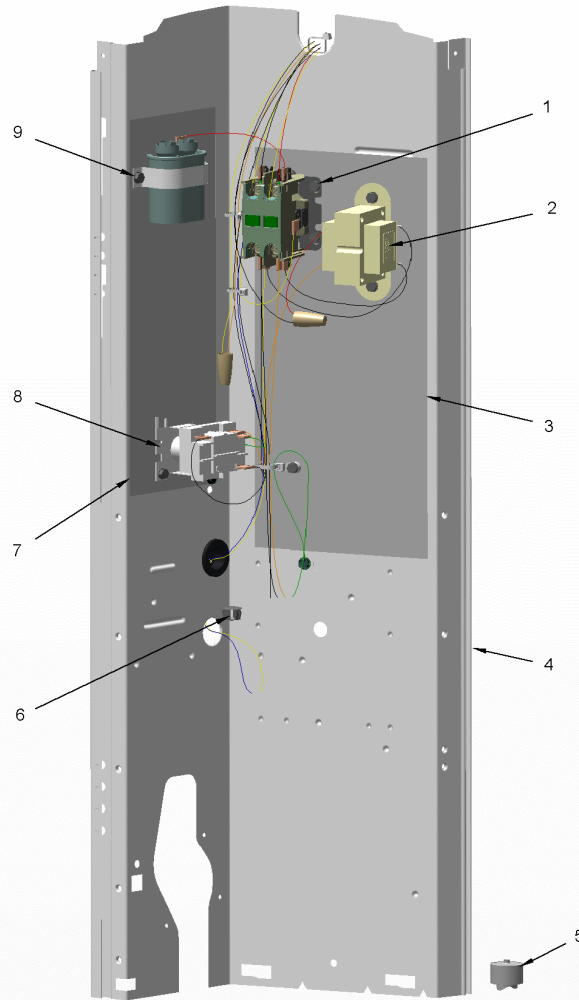
Model Number :4TTA4036A4000AA

Part No.	Reference No.	Quantity	Description
75011629_4TTA4UP1_250697~P	*		CONTROLS PARTS LIST

CONTROLS

75011629

REV.
A



This is a typical illustration. The unit in the field may not appear exactly as shown.

Part No.	Reference No.	Quantity	Description
CLP00185	*	1	CLIP; TDL
CON00241	*	1	CONNECTOR; WIRE
PAI00248	*	1	PAINT; 12 OZ SPRAY, ANTHRACITE GRAY (SHIPPING UOM 12 OZ HAZ)
CTR01038	1	1	CONTACTOR, 30 AMP, 240/277/480/600V, 24V COIL, 2 POLE
TRR01452	2	1	TRANSFORMER; 20VA, 460V PRI, 24V SEC
SHD00386	3	1	SHIELD; MOISTURE, 12.75 X 5.00
PNL13027	4	1	PANEL; CONTROL PANEL BASE, 31.14 HEIGHT
THT02242	5	1	THERMOSTAT, TERMINATOR, 240V, SPST, OPEN @ 105 DEGREE F, CLOSE @ 73 DEGREE F
PLU00984	6	1	PLUG; LOCKING HOLE
SHD00387	7	1	SHIELD; MOISTURE, 10.25 X 4.00
RLY00969	8	1	RELAY; POWER DUTY, SWITCHING, DPDT, 6A AT 240V, 24V COIL
CPT00266	9	1	CAPACITOR; RUN, 5 MFD, 370V, OVAL, W/O RESISTOR
SRP00091	9	1	STRAP, CAPACITOR

CABINET

75010774

REV.
A

TYPICAL ILLUSTRATION



Parts List Number :75011195#4TTA4UP1

Model Number :4TTA4036A4000AA

Part No.	Reference No.	Quantity	Description
75010774_4TTA4UP1_250695~P	*		CABINETY PARTS LIST

CABINET

75010774

REV.
A

TYPICAL ILLUSTRATION



Part No.	Reference No.	Quantity	Description
PAI00246	*	1	PAINT; SPRAY, TARPAULIN GRAY (SHIPPING UOM 12 OZ HAZ)
PLT04086	*	1	PLATE; NAMEPLATE-TRANE LOGO, 9.0 X 1.82. THIS BADGE DOES NOT INCLUDE THE XR1# INSERT. FOR COMPLETE BADGE ORDER PLT03603, PLT04109 OR PLT04079.
SCR02010	*	15	SCREW; 12-18 AB HXW 1/2 SN
COV03358	1	1	COVER; TOP, 32.36 X 29.40
PNL13011	2	1	PANEL, WRAPPER, 19.55 X 29.33
PNL13004	3	1	PANEL, CORNER POST, 3.570 X 29.33
PNL13011	4	1	PANEL, WRAPPER, 19.55 X 29.33
COV03224	5	1	COVER, CONTROL, 11.32 X 18.11
BAS01833	6	1	BASE; 36.26 X 36.41 DIAGONALLY
COV03228	7	1	COVER, CONTROL BOTTOM
PNL13014	8	1	PANEL, ACCESS, 15.72 X 28.65
PNL13004	9	1	PANEL, CORNER POST, 3.570 X 29.33
PNL13007	10	1	PANEL, WRAPPER, 23.22 X 29.33
PNL13004	11	1	PANEL, CORNER POST, 3.570 X 29.33

MODEL NUMBER DESCRIPTION
OUTDOOR UNITS

75005586

REV
E

Example Model Number:

4 TWV 0 0 3 6 A 1 0 0 0 A A
1 - - - - 5 - - - - 10 - - - - 15

Digit 1 – Refrigerant Type

2 = R-22
4 = R-410A

Digit 2 – Trane

Digit 3 – Product Type

W = Split Heat Pump
T = Split Cooling

Digit 4 – Product Family

V = Variable Speed
Z = Leadership - Two Stage
X = Leadership
R = Replacement/Retail
M or B = Basic
A = Light Commercial
L = Side Discharge
S = Side Discharge 3 Phase

Digit 5 – Family SEER

3 = 13 7 = 17
4 = 14 8 = 18
5 = 15 9 = 19
6 = 16 0 = 20

Digits 6 – Split System Connections 1-6 Tons

0 = Brazed

Digits 7,8 – Nominal Capacity in 000s BTUs

Digit 9 – Major Design Modifications

Digit 10 – Power Supply

1 = 200-230/1/60 or 208-230/1/60
3 = 200-230/3/60
4 = 460/3/60
5 = 400/3/60
A = 220-240/1/50
D = 380-415/3/50

Digit 11,12,13 – Secondary Function

Digit 14 – Minor Design Modifications

Digit 15 – Unit Parts Identifier

Part No.	Reference No.	Quantity	Description
75005586_4TTA4UP1_177780~P	*		MODEL NUMBER DESCRIPTION PARTS LIST

MODEL NUMBER DESCRIPTION

75005586

REV
D

OUTDOOR UNITS

Example Model Number:

4 TWV 00 3 6 A 1 0 0 0 A A
1 - - - 5 - - - 10 - - - 15

Digit 1 – Refrigerant Type

2 = R-22
4 = R-410A

Digit 2 – Trane

Digit 3 – Product Type

W = Split Heat Pump
T = Split Cooling

Digit 4 – Product Family

V = Variable Speed
Z = Leadership - Two Stage
X = Leadership
R = Replacement/Retail
M or B = Basic
A = Light Commercial
L = Side Discharge

Digit 5 – Family SEER

3 = 13 7 = 17
4 = 14 9 = 19
5 = 15 9 = 19
6 = 16 0 = 20

Digits 6 – Split System Connections 1-6 Tons

0 = Brazed

Digits 7,8 – Nominal Capacity in 000s BTUs

Digit 9 – Major Design Modifications

Digit 10 – Power Supply

1 = 200-230/1/60 or 208-230/1/60
3 = 200-230/3/60
4 = 460/3/60

Digit 11,12,13 – Secondary Function

Digit 14 – Minor Design Modifications

Digit 15 – Unit Parts Identifier

Parts List Number :75011195#4TTA4UP1

Model Number :4TTA4036A4000AA

Part No.	Reference No.	Quantity	Description
OPTIONS_4TTA4UP1_250698~P	*		OPTIONAL ACCESSORIES PARTS LIST

NO GRAPHIC AVAILABLE

75013702

REV
A

**NO
GRAPHIC
AVAILABLE**

Part No.	Reference No.	Quantity	Description
KIT02164	*	1	KIT; LINESET; STANDARD; 3/8 IN LL, 7/8 IN SL, 1/2 IN INS, 15 LNGTH, 90 BEND (BAYREFLN315)
KIT02165	*	1	KIT; LINESET; STANDARD; 3/8 IN LL, 7/8 IN SL, 1/2 IN INS, 20 LNGTH, 90 BEND (TAYREFLN320)
KIT02166	*	1	LINE SET; 3/8 X 7/8 X 1/2 X 25FT STANDARD, HAS BEND, PLAIN END, NO FLARE FITTINGS, NO CONTROL WIRE MUE 61420251
KIT02167	*	1	LINE SET; 3/8 X 7/8 X 1/2 X 30FT STANDARD, HAS BEND, PLAIN END, NO FLARE FITTINGS, NO CONTROL WIRE MUE 61420301
KIT02168	*	1	KIT; LINESET; STANDARD; 3/8 IN LL, 7/8 IN SL, 1/2 IN INS, 40 LNGTH, 90 BEND (TAYREFLN340)
KIT02169	*	1	LINE SET; 3/8 X 7/8 X 1/2 X 50FT STANDARD, HAS BEND, PLAIN END NO FLARE FITTINGS, NO CONTROL WIRE MUE 61420501
KIT06322	*	1	KIT; LOW TEMP COOLING (AY28X079)
KIT07731	*	1	KIT; SNOW LEGS, CONTAINS (4) 6" MOUNTING LEGS (BAYLEGS002)
KIT07732	*	1	KIT; SNOW LEGS, (4" EXTENSION KIT) (BAYLEGS003)
KIT08036	*	1	KIT; SEA COAST (BAYSEAC001)
KIT08087	*	1	KIT; HEAD PRESSURE (BAYLOAM103)
KIT08412	*	1	KIT; SOUND ENCLOSURE, (BAYSDEN003), (MODELS WITH SMALL FRAME (QUANTUM) SCROLL COMPRESSORS NO LARGER THAN 16.4" TALL OR 6.6" IN DIAMETER EXCEPT IN CABINET HEIGHTS 25.0" OR SHORTER)
KIT09425	*	1	KIT; ISOLATOR (BAYISLT101) (CONTAINS A QTY OF 5 ISOLATORS)
KIT15282	*	1	KIT; EXTREME MOUNTING CONDITION (BAYECMT023)
PAI00309	*	1	PAINT; DARK BROWN, 12 OZ SPRAY CAN, HERESITE AIR DRY PHENOLIC COATING, VR-554T