

SPLIT SYSTEM COOLING

75011195

REV
A



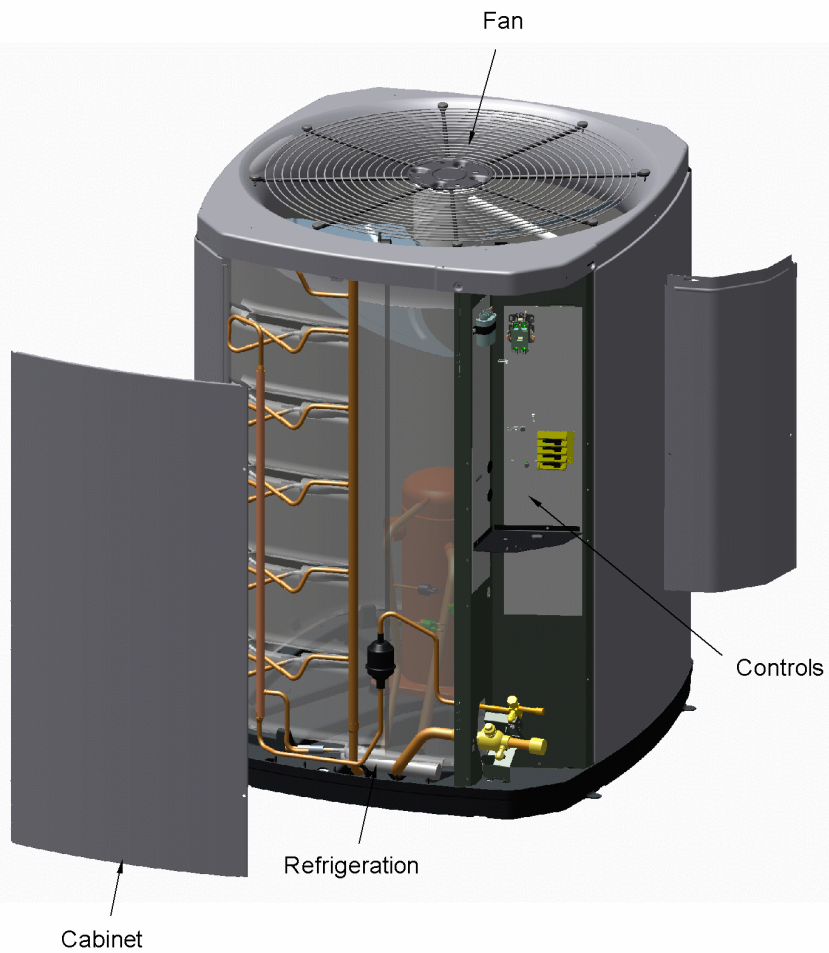
This is a typical illustration. The unit in the field may not appear exactly as shown.

Part No.	Reference No.	Quantity	Description
75010774#4TTA3UP6~S	*		CABINET
75011629#4TTA3UP6~S	*		CONTROLS
75010673#4TTA3UP6~S	*		FAN
75005586#4TTA3UP6~S	*		MODEL NUMBER DESCRIPTION
OPTIONS#4TTA3UP6~S	*		OPTIONAL FIELD INSTALLED ACCESSORIES
75011187#4TTA3UP6~S	*		REFRIGERATION
75011195_4TTA3UP6_170020~P	*		SPLIT SYSTEM SINGLE STAGE COOLING PARTS LIST

SPLIT SYSTEM COOLING

75011195

REV.
A

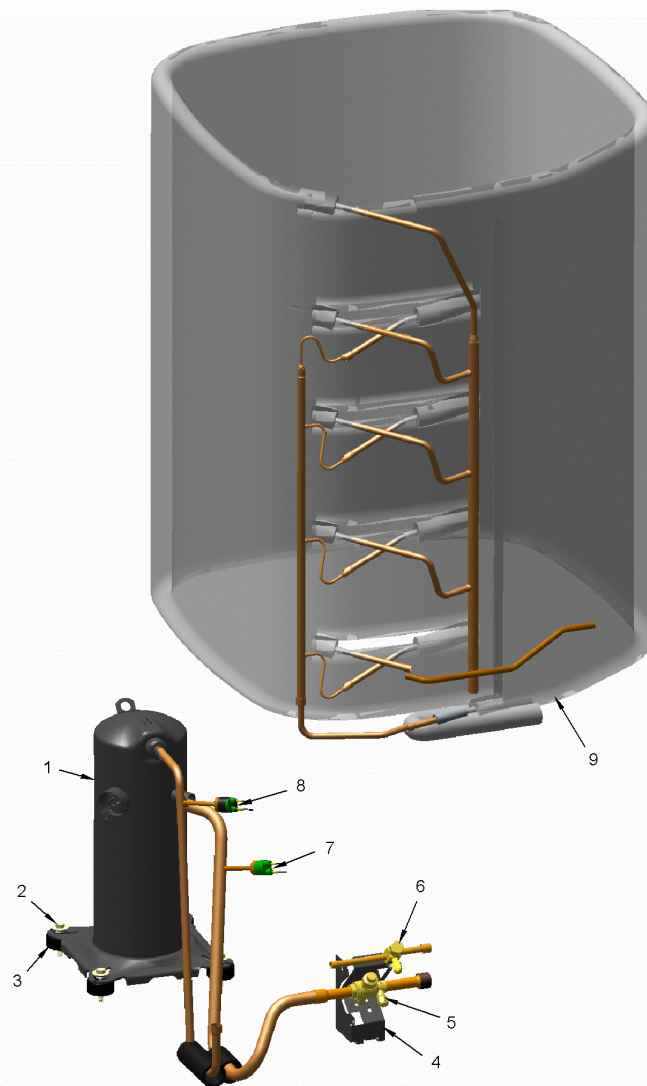


This is a typical illustration. The unit in the field may not appear exactly as shown.

REFRIGERATION

75011187

REV.
A



This is a typical illustration. The unit in the field may not appear exactly as shown.

Parts List Number :75011195#4TTA3UP6

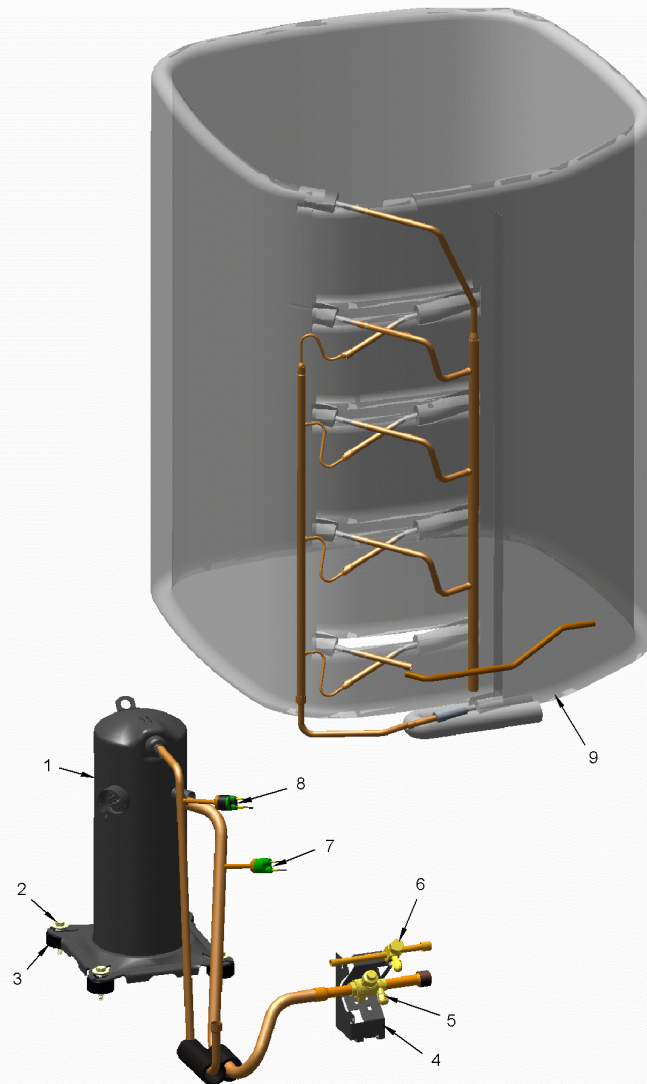
Model Number :4TTA3036B4000BA

Part No.	Reference No.	Quantity	Description
75011187_4TTA3UP6_320998~P	*		REFRIGERATION PARTS LIST

REFRIGERATION

75011187

REV.
A



This is a typical illustration. The unit in the field may not appear exactly as shown.

Part No.	Reference No.	Quantity	Description
CLP00185	*	1	CLIP; TDL
DHY01456	*	1	DRIER; LIQUID LINE; SERVICE FIRST; 5 CU. IN.; DCL054/3S, 1/2 ODF INLET X 3/8 ODF OUTLET; 5.4 TON CAPACITY; APPROVED FOR MINERAL OIL AND POE OIL REFRIG
HTR12824	*	1	HEATER; SUMP HEATER, 40W, 460V, 5.5 IN DIA, 18 AWG WITH TWO - 70 INCH LEADS
SPC00386	*	1	SPACER; BASE, 5.50 X 1.00 X 0.50
SPC00512	*	7	SPACER; TUBING
TUB11547	*	8	TUBE; TRANSITION ASSEMBLY
WIR03481	*	1	WIRE; PLUG-SCROLL COMPRESSOR
COL28462	1	1	COIL; CONDENSER, SPINE FIN
COM10850	2	1	COMPRESSOR; SCROLL, SXA031C4CPA, 2.58 TON, 460/60/3, R410A, BLACK
SCR01914	2	4	SCREW, ASSEMBLY COMPRESSOR, 5/16-12 TYPE B, W/WASHER & SLEEVE
ISR00007	3	4	ISOLATOR; VIBRATION
BRK03696	4	1	BRACKET; VALVE
VAL11186	5	1	VALVE; SERVICE GAS
VAL09293	6	1	VALVE, SERVICE LIQUID, .38 OD X .38 OD, VALVE ASSY
SWT03347	7	1	SWITCH; LOW PRESSURE, OPEN @ 50 PSIG CLOSE @ 70 PSIG
SWT03274	8	1	SWITCH, HIGH PRESSURE, SPST, OPEN @ 650 PSIG, CLOSE @ 500 PSIG, 75" YELLOW LEAD

FAN

75010673

REV
A

TYPICAL ILLUSTRATION



Parts List Number :75011195#4TTA3UP6

Model Number :4TTA3036B4000BA

Part No.	Reference No.	Quantity	Description
75010673_4TTA3UP6_320996~P	*		FAN PARTS LIST

FAN

75010673

REV
A

TYPICAL ILLUSTRATION

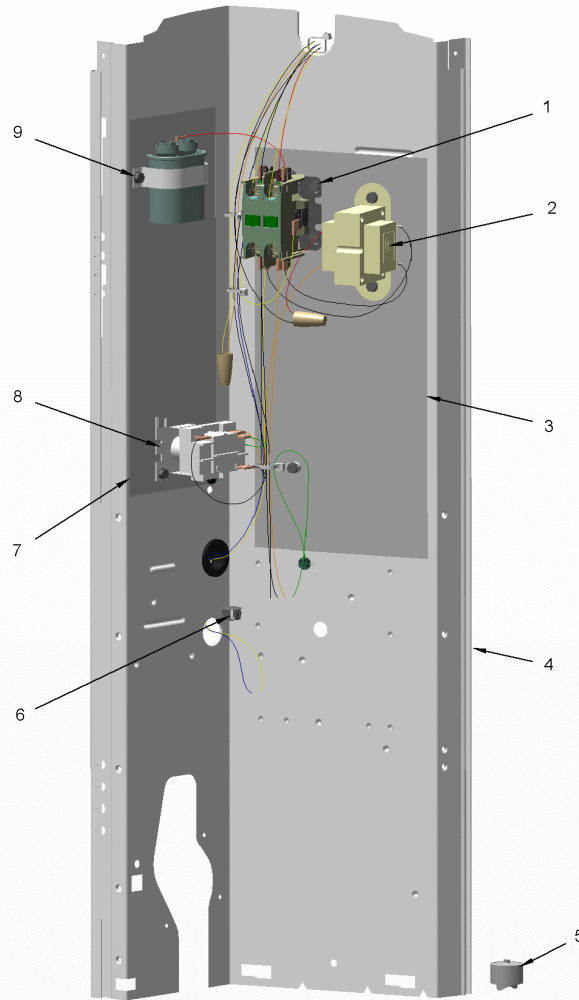


Part No.	Reference No.	Quantity	Description
COV03250	*	1	COVER; MOTOR, 6.86 DIA
FAN04002	1	1	FAN, 3 BLADE, ALUMINUM, 23" DIA, 22 DEGREES PITCH, .50" BORE, CCW, 1 SET SCREW-STEEL, SPIDER .057 THK, FINISH/PAINT
MOT11371	2	1	MOTOR; 1/8 HP, 460/60/1, PSC, 825 RPM, 48 FRAME, SLEEVE BEARING, CCW, 5 MFD @ 370V (MOTOR INCLUDES SCREW SCR01989 QTY 4).
GRL01347	3	1	GRILLE; FAN, 25.51 MOUNTING DIA
SCR02086	4	4	SCREW; 10-32 TR-3 HXW 3/8 S
GRD01415	5	1	GUARD, TROUGH-LEAD

CONTROLS

75011629

REV.
A



This is a typical illustration. The unit in the field may not appear exactly as shown.

Parts List Number :75011195#4TTA3UP6

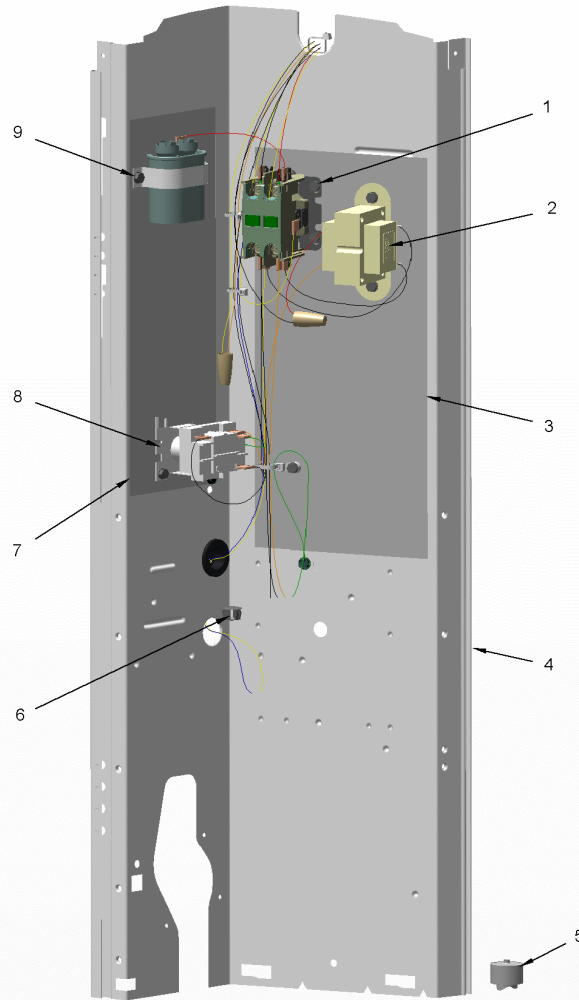
Model Number :4TTA3036B4000BA

Part No.	Reference No.	Quantity	Description
75011629_4TTA3UP6_284374~P	*		CONTROLS PARTS LIST

CONTROLS

75011629

REV.
A



This is a typical illustration. The unit in the field may not appear exactly as shown.

Part No.	Reference No.	Quantity	Description
CLP00185	*	1	CLIP; TDL
CON00241	*	2	CONNECTOR; WIRE
CTR02712	1	1	CONTACTOR; 32 FLA, 240/277/480/600V, 2 POLE, 24V COIL
TRR01452	2	1	TRANSFORMER; 20VA, 460V PRI, 24V SEC
SHD00386	3	1	SHIELD; MOISTURE, 12.75 X 5.00
PNL21731	4	1	PANEL, CONTROL PANEL, 27.14 HEIGHT
THT02242	5	1	THERMOSTAT, TERMINATOR, 240V, SPST, OPEN @ 105 DEGREE F, CLOSE @ 73 DEGREE F
PLU00984	6	1	PLUG; LOCKING HOLE
SHD00387	7	1	SHIELD; MOISTURE, 10.25 X 4.00
RLY00969	8	1	RELAY; POWER DUTY, SWITCHING, DPDT, 6A AT 240V, 24V COIL
CPT00266	9	1	CAPACITOR; RUN, 5 MFD, 370V, OVAL, W/O RESISTOR
SRP00091	9	1	STRAP, CAPACITOR

CABINET

75010774

REV.
A

TYPICAL ILLUSTRATION



Parts List Number :75011195#4TTA3UP6

Model Number :4TTA3036B4000BA

Part No.	Reference No.	Quantity	Description
75010774_4TTA3UP6_320997~P	*		CABINET PARTS LIST

CABINET

75010774

REV.
A

TYPICAL ILLUSTRATION



Part No.	Reference No.	Quantity	Description
PAI00246	*	1	PAINT; SPRAY, TARPAULIN GRAY (SHIPPING UOM 12 OZ HAZ)
PLT04086	*	1	PLATE; NAMEPLATE-TRANE LOGO, 9.0 X 1.82. THIS BADGE DOES NOT INCLUDE THE XR1# INSERT. FOR COMPLETE BADGE ORDER PLT03603, PLT04109 OR PLT04079.
SCR02010	*	15	SCREW; 12-18 AB HXW 1/2 SN
COV03358	1	1	COVER; TOP, 32.36 X 29.40
PNL14724	2	1	PANEL; WRAPPER, 25.33 X 19.55
PNL14723	3	1	PANEL; CORNER POST, 25.33 X 3.570
PNL14724	4	1	PANEL; WRAPPER, 25.33 X 19.55
COV03224	5	1	COVER, CONTROL, 11.32 X 18.11
BAS01833	6	1	BASE; 36.26 X 36.41 DIAGONALLY
COV03228	7	1	COVER, CONTROL BOTTOM
PNL23809	8	1	PANEL; ACCESS, 15.69 X 24.65
PNL14723	9	1	PANEL; CORNER POST, 25.33 X 3.570
PNL23808	10	1	PANEL; WRAPPER, 23.14 X 25.33
PNL14723	11	1	PANEL; CORNER POST, 25.33 X 3.570

MODEL NUMBER DESCRIPTION
OUTDOOR UNITS

75005586

REV
E

Example Model Number:

4 TWV 0 0 3 6 A 1 0 0 0 A A
1 - - - - 5 - - - - 10 - - - - 15

Digit 1 – Refrigerant Type

- 2 = R-22
- 4 = R-410A

Digit 2 – Trane

Digit 3 – Product Type

- W = Split Heat Pump
- T = Split Cooling

Digit 4 – Product Family

- V = Variable Speed
- Z = Leadership - Two Stage
- X = Leadership
- R = Replacement/Retail
- M or B = Basic
- A = Light Commercial
- L = Side Discharge
- S = Side Discharge 3 Phase

Digit 5 – Family SEER

- 3 = 13 7 = 17
- 4 = 14 8 = 18
- 5 = 15 9 = 19
- 6 = 16 0 = 20

Digits 6 – Split System Connections 1-6 Tons

- 0 = Brazed

Digits 7,8 – Nominal Capacity in 000s BTUs

Digit 9 – Major Design Modifications

Digit 10 – Power Supply

- 1 = 200-230/1/60 or 208-230/1/60
- 3 = 200-230/3/60
- 4 = 460/3/60
- 5 = 400/3/60
- A = 220-240/1/50
- D = 380-415/3/50

Digit 11,12,13 – Secondary Function

Digit 14 – Minor Design Modifications

Digit 15 – Unit Parts Identifier

Part No.	Reference No.	Quantity	Description
75005586_4TTA3UP6_170021~P	*		MODEL NUMBER DESCRIPTION PARTS LIST

MODEL NUMBER DESCRIPTION

75005586

REV
D

OUTDOOR UNITS

Example Model Number:

4 TWV 00 3 6 A 1 0 0 0 A A
1 - - - 5 - - - 10 - - - 15

Digit 1 – Refrigerant Type

2 = R-22
4 = R-410A

Digit 2 – Trane

Digit 3 – Product Type

W = Split Heat Pump
T = Split Cooling

Digit 4 – Product Family

V = Variable Speed
Z = Leadership - Two Stage
X = Leadership
R = Replacement/Retail
M or B = Basic
A = Light Commercial
L = Side Discharge

Digit 5 – Family SEER

3 = 13 7 = 17
4 = 14 9 = 19
5 = 15 9 = 19
6 = 16 0 = 20

Digits 6 – Split System Connections 1-6 Tons

0 = Brazed

Digits 7,8 – Nominal Capacity in 000s BTUs

Digit 9 – Major Design Modifications

Digit 10 – Power Supply

1 = 200-230/1/60 or 208-230/1/60
3 = 200-230/3/60
4 = 460/3/60

Digit 11,12,13 – Secondary Function

Digit 14 – Minor Design Modifications

Digit 15 – Unit Parts Identifier

Parts List Number :75011195#4TTA3UP6

Model Number :4TTA3036B4000BA

Part No.	Reference No.	Quantity	Description
OPTIONS_4TTA3UP6_211377~P	*		OPTIONAL FIELD INSTALLED ACCESSORIES PARTS LIST

NO GRAPHIC AVAILABLE

75013702

REV
A

**NO
GRAPHIC
AVAILABLE**

Parts List Number :75011195#4TTA3UP6

Model Number :4TTA3036B4000BA

Part No.	Reference No.	Quantity	Description
KIT05354	*	1	KIT; TIME DELAY (TAYASCT501A) - 5 MINUTE RELAY ONLY IS RLY01343
KIT06322	*	1	KIT; LOW TEMP COOLING (AY28X079)
KIT07731	*	1	KIT; SNOW LEGS, CONTAINS (4) 6" MOUNTING LEGS (BAYLEGS002)
KIT07732	*	1	KIT; SNOW LEGS, (4" EXTENSION KIT) (BAYLEGS003)
KIT08036	*	1	KIT; SEA COAST (BAYSEAC001)
KIT08087	*	1	KIT; HEAD PRESSURE (BAYLOAM103)
KIT08412	*	1	KIT; SOUND ENCLOSURE, (BAYSDEN003), (MODELS WITH SMALL FRAME (QUANTUM) SCROLL COMPRESSORS NO LARGER THAN 16.4" TALL OR 6.6" IN DIAMETER EXCEPT IN CABINET HEIGHTS 25.0" OR SHORTER)
KIT09425	*	1	KIT; ISOLATOR (BAYISLT101) (CONTAINS A QTY OF 5 ISOLATORS)
KIT15282	*	1	KIT; EXTREME MOUNTING CONDITION (BAYECMT023)
PAI00309	*	1	PAINT; DARK BROWN, 12 OZ SPRAY CAN, HERESITE AIR DRY PHENOLIC COATING, VR-554T