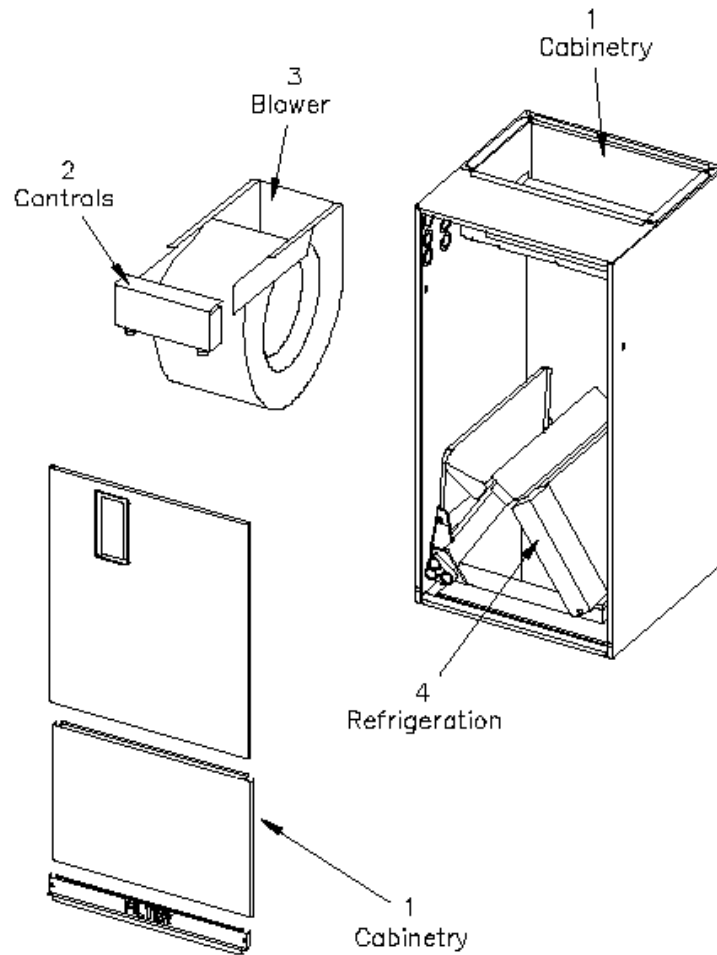


General Assembly

75006433

REV
A

Typical Illustration. Unit may not appear exactly as shown.



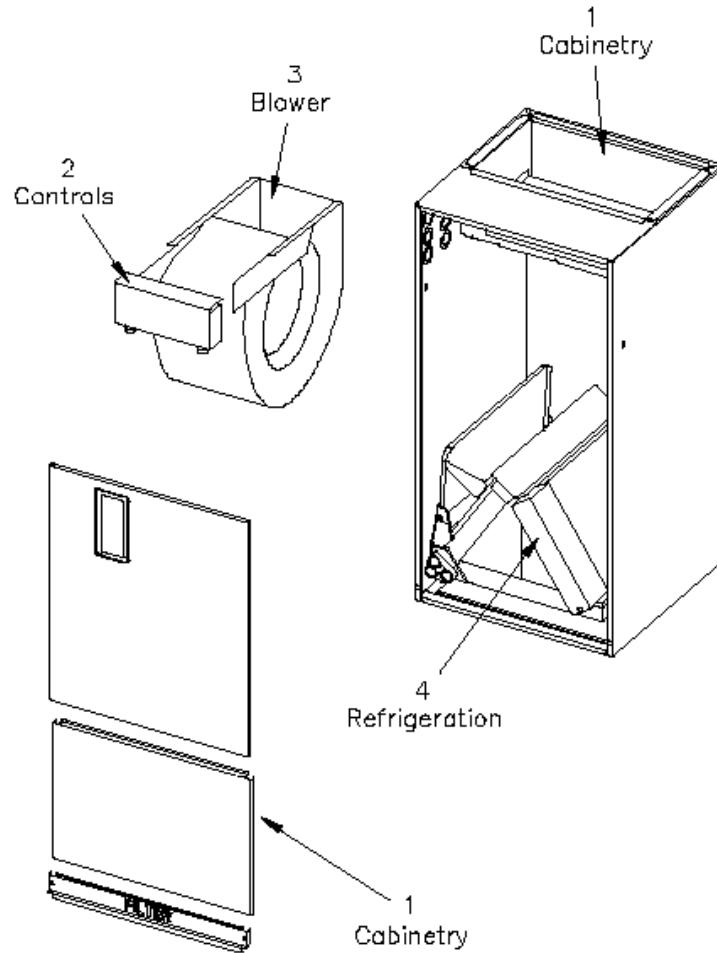
Part No.	Reference No.	Quantity	Description
75002751#4TEC3UP2~S	*		BLOWER
75004787#4TEC3UP2~S	*		CABINETRY
75003695#4TEC3UP2~S	*		CONTROLS
75006433_4TEC3UP2_225950~P	*		GENERAL ASSEMBLY PARTS LIST
75005585#4TEC3UP2~S	*		MODEL NOMENCLATURE
75006839#4TEC3UP2~S	*		REFRIGERATION

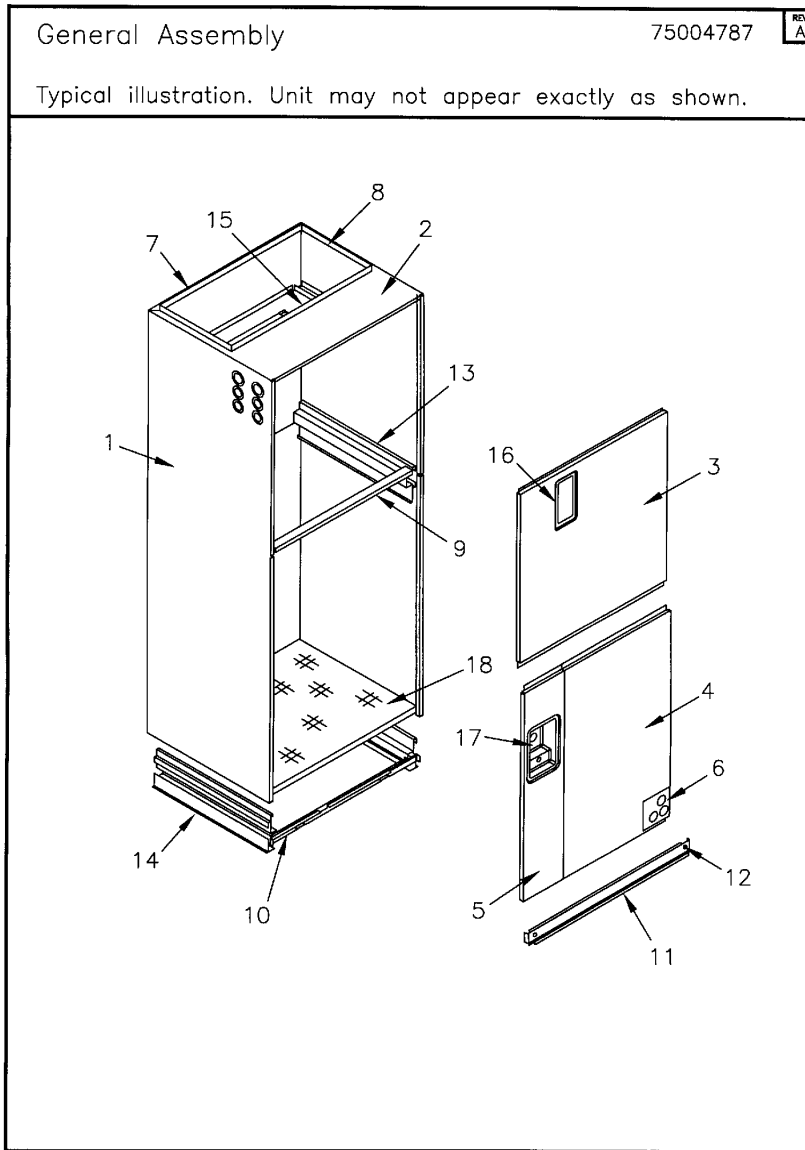
General Assembly

75006433

REV
A

Typical Illustration. Unit may not appear exactly as shown.

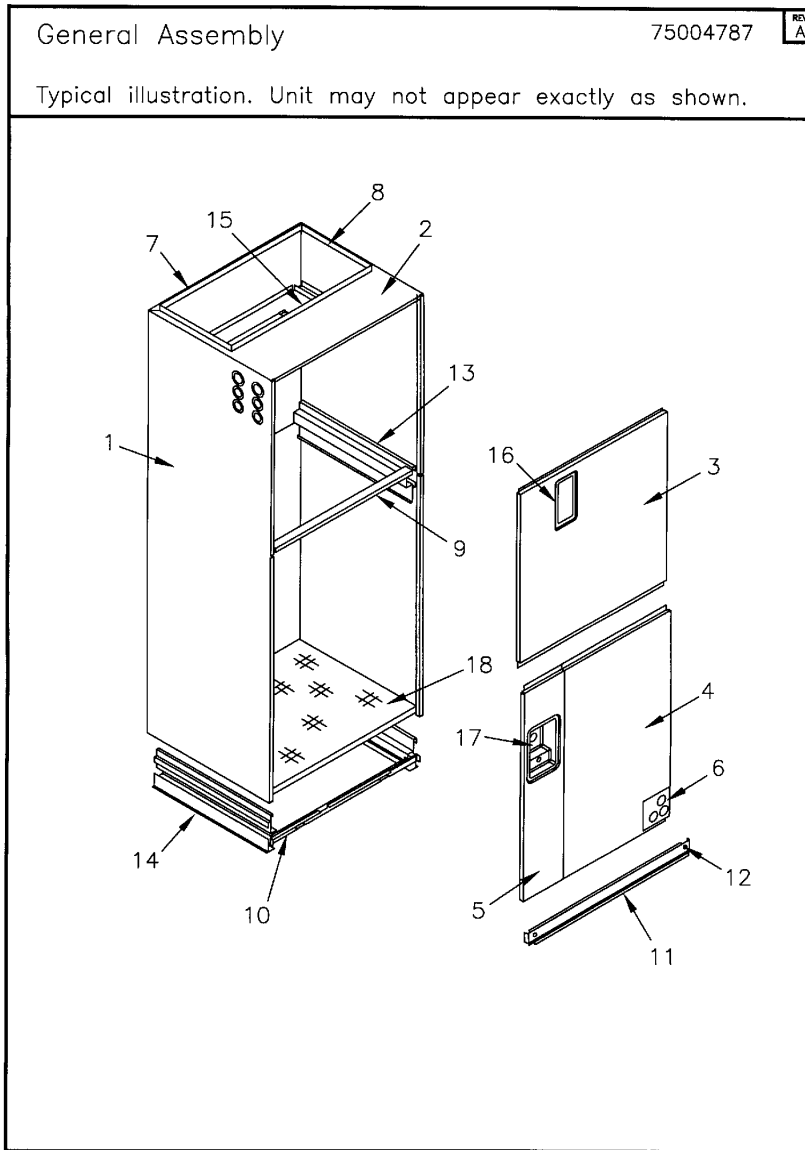




Parts List Number :75006433#4TEC3UP2

Model Number :4TEC3F18B1000AA

Part No.	Reference No.	Quantity	Description
75004787_4TEC3UP2_339228~P	*		CABINETY PARTS LIST



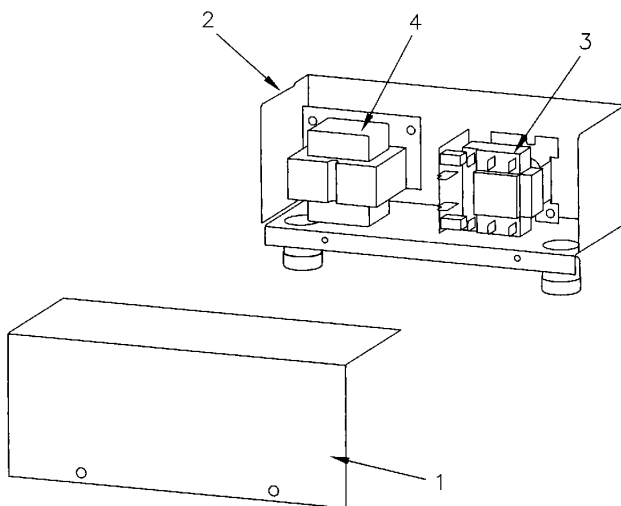
Part No.	Reference No.	Quantity	Description
BRK03414	*	1	BRACKET; BARRIER
CNL01698	*	1	CHANNEL; BOTTOM
GRM00129	*	0	GROMMET; SCREW
KIT06580	*	1	KIT; DOWNFLOW (CONSISTS OF BAF00876-QTY 2, GASKET-30.5 X .50-QTY 2, GASKET-20.5 X .875-QTY 1)
PLT03593	*	1	PLATE; APPEARANCE NAMEPLATE, AMERICAN STANDARD, 6.50 X 1.11
PLT03689	*	1	PLATE; NAMEPLATE TRANE, 6.00 X 1.46 (MOLDED OVAL PLATE)
PNL23692	1	1	PANEL; WRAPPER ASSEMBLY
PNE08899	2	1	PANEL; ASSEMBLY, TOP, 21.30 X 8.71
PNL21743	3	1	PANEL; BLOWER PANEL ASSEMBLY
PNL23693	4	1	PANEL; COIL ACCESS
PNL23694	5	1	PANEL; COUPLING
PNL23730	6	1	PANEL; DRAIN
FLG00984	7	2	FLANGE; DUCT, 17.6 LENGTH
FLG00986	8	2	FLANGE; DUCT, 10.3 LENGTH
BRK02196	9	1	BRACKET; ANGLE
BRK03758	10	1	BRACKET; FILTER
PNL23695	11	1	PANEL; FILTER DOOR
KIT09680	12	1	KIT; FILTER DOOR LATCH, (CONSISTS OF 2-LAT00840, 2-BUS01418, 2-NUT01044, & INSTRUCTIONS)
SUP05032	13	2	SUPPORT; UPPER EXTRUSION
SUP03994	14	2	SUPPORT; LOWER
BOF01062	15	1	BLOCKOFF; BARRIER, HEATER/BLOWER
COV02590	16	1	COVER; BREAKER, POLYPROPYLENE, AIR-TITE, 8.12 X 4.40
SHD00109	17	1	SHIELD; BRAZE
FLR01248	18	1	FILTER; THROW AWAY, 20 X 20 X 1

Control Assembly

75003695

REV
A

Typical Illustration. Unit may not appear exactly as shown.



Parts List Number :75006433#4TEC3UP2

Model Number :4TEC3F18B1000AA

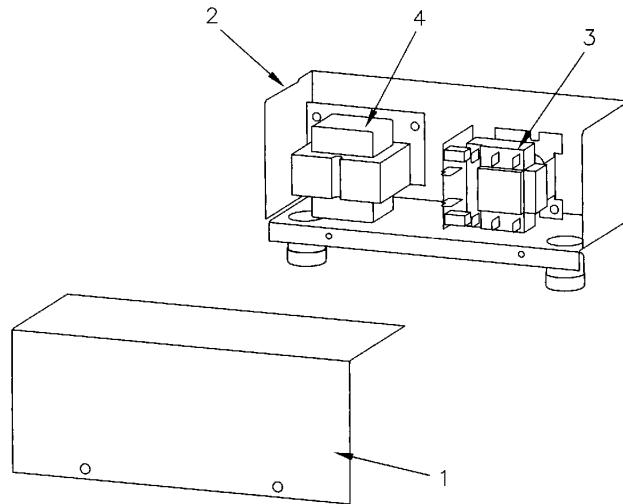
Part No.	Reference No.	Quantity	Description
75003695_4TEC3UP2_339227~P	*		CONTROLS PARTS LIST

Control Assembly

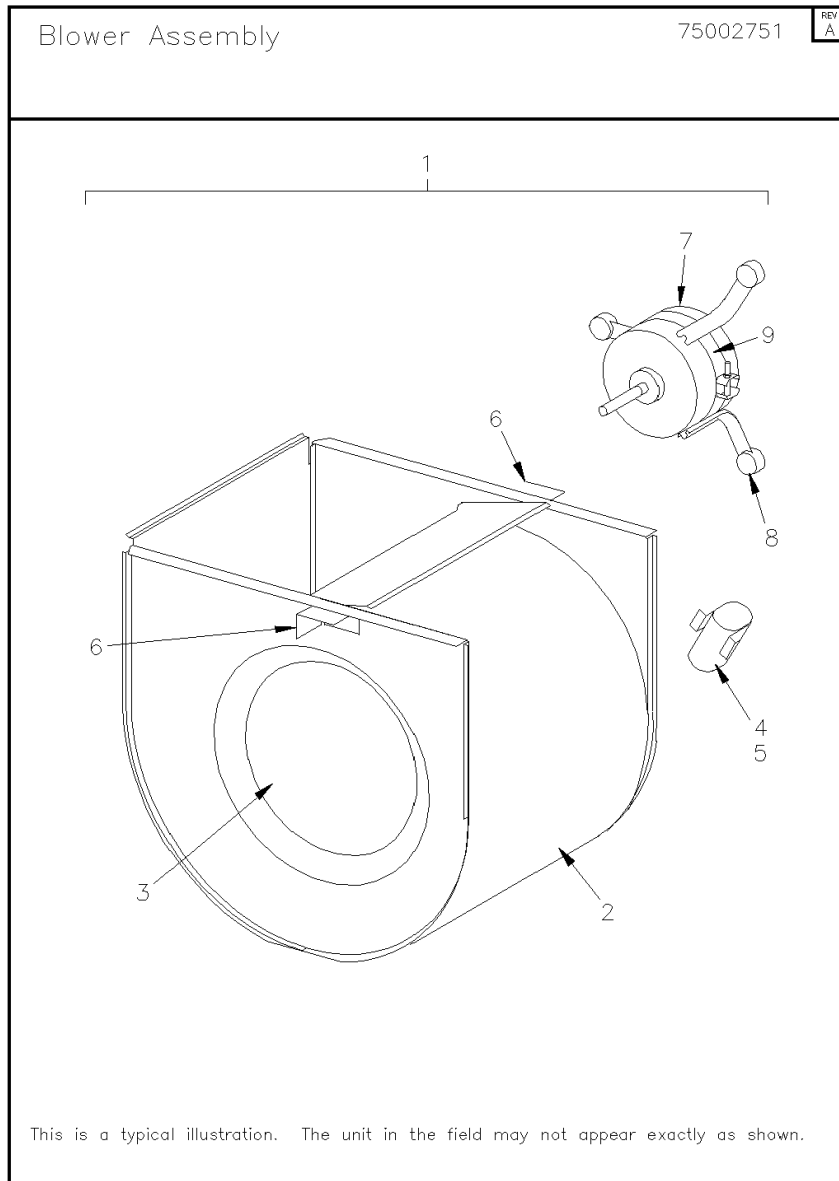
75003695

REV
A

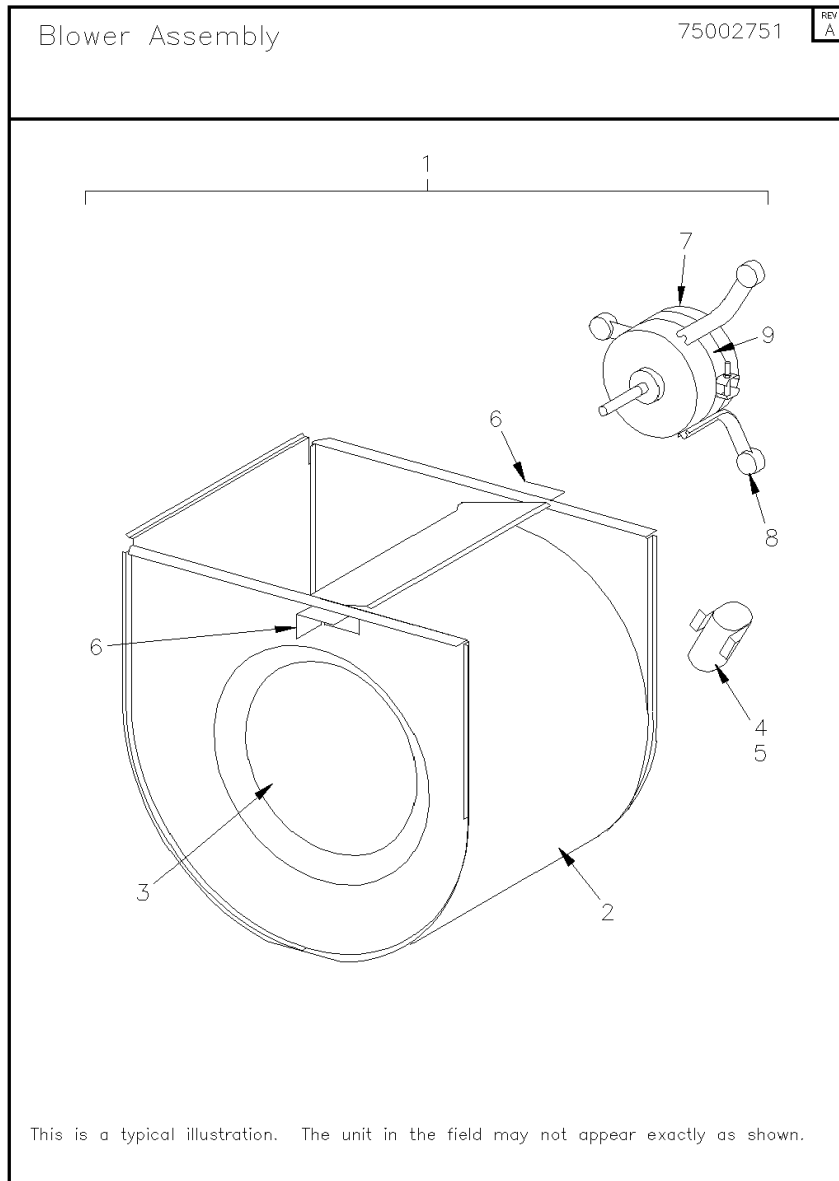
Typical Illustration. Unit may not appear exactly as shown.



Part No.	Reference No.	Quantity	Description
BOX01394	*	1	BOX; JUNCTION
BRK02762	*	1	BRACKET; CONTROLS
BUS00314	*	1	BUSHING; SNAP
COV02687	*	1	COVER; JUNCTION BOX
FUS01089	*	1	FUSE; 5 AMP, TAN, AUTOMOTIVE STYLE
PLU00885	*	1	PLUG; ASSEMBLY, JUNCTION BOX (CONTAINS 1 RED, 1 BLACK WIRE, 1 RCT00062)
PLU00886	*	0	PLUG; ASSEMBLY, CONTROL BOX
SCR00968	*	4	SCREW; 10-16 HEX WASHER, TYPE B, THREAD FORMING SCREW, 0.31 THREAD LENGTH, STEEL W/ZINC FINISH
WIR02775	*	1	WIRE; LOW VOLTAGE PLUG ASSEMBLY, (CONSISTS OF 3 WHITE, 1 GREEN, 1 RED, 1 BLUE WIRES AND ALSO, (RCT00062) RECEPTACLE, CONNECTOR 6 PIN POLARIZED MALE)
WIR04117	*	1	WIRE; HARNESS, CONTROL BOX (HARNESS CONSISTS OF 1 BLACK, 1 RED, 1 GREEN, 4 WHITE WIRES, AND 2 FEMALE CONNECTORS-CON00248) (THIS HARNESS GOES FROM THE
BOX01189	1	1	BOX; CONTROL
COV03003	2	1	COVER; CONTROL BOX
RLY01384	3	1	RELAY; 240/480V, 24V COIL
TRR01557	4	1	TRANSFORMER; 40VA, 200/230V PRI, 24V SEC



Part No.	Reference No.	Quantity	Description
75002751_4TEC3UP2_339226~P	*		BLOWER PARTS LIST



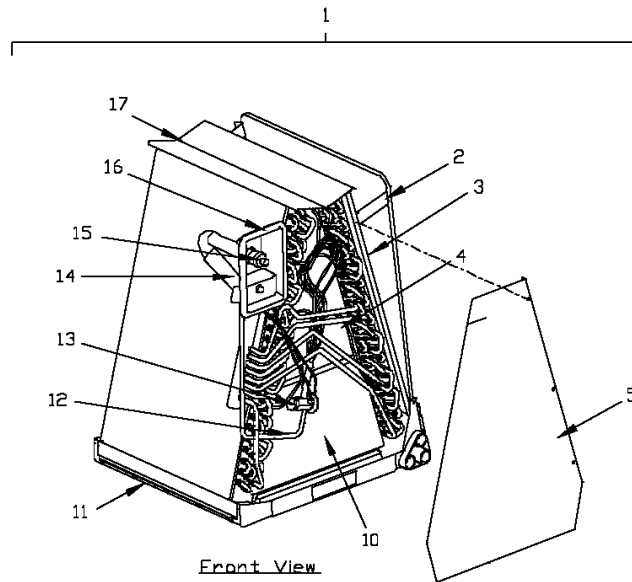
Part No.	Reference No.	Quantity	Description
BLT00848	*	3	BOLT; MOTOR MOUNT
NUT00487	*	1	NUT; STEEL HEX, 1/4-20
WAS00646	*	1	WASHER; STEEL SPRING LOCK, 1/4 INCH
BLW00756	1	1	BLOWER; ASSEMBLY, COMPLETE
HUS01815	2	1	HOUSING; BLOWER
WHL01099	3	1	WHEEL; BLOWER, 9.50 DIA X 8.12, .50 BORE, CONVEX, CW
CPT00477	4	1	CAPACITOR; RUN, 7.5 MFD, 370VAC, OVAL, W/O RESISTOR
SRP00242	5	1	STRAP, CAPACITOR
BRK02765	6	2	BRACKET; BLOWER
MOT02608	7	1	MOTOR; 1/4 HP, 200-230/60/1, 1075 RPM, 39 FRAME, CCW, SLEEVE BEARING, 7.5 MFD CPT @ 370V
BRK00940	8	3	BRACKET;ARM, MOTOR, COMES WITH GROMMETS. 3.81 X 3.00.
MNT00581	9	1	MOUNT; MOTOR, BAND

COIL ASSEMBLY

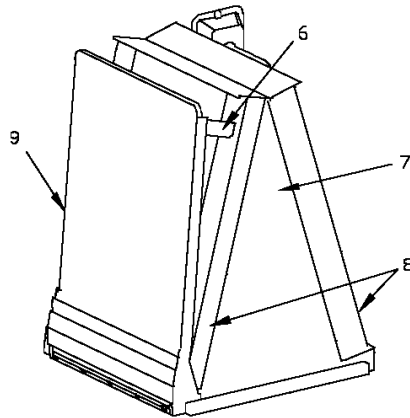
75006839

REV
A

Typical Illustration. Unit may not appear exactly as shown.



Front View



Rear View

Parts List Number :75006433#4TEC3UP2

Model Number :4TEC3F18B1000AA

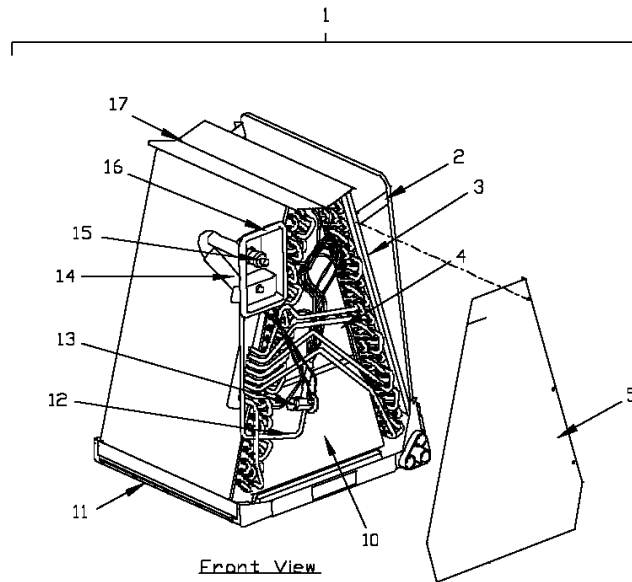
Part No.	Reference No.	Quantity	Description
75006839_4TEC3UP2_339229~P	*		REFRIGERATION PARTS LIST

COIL ASSEMBLY

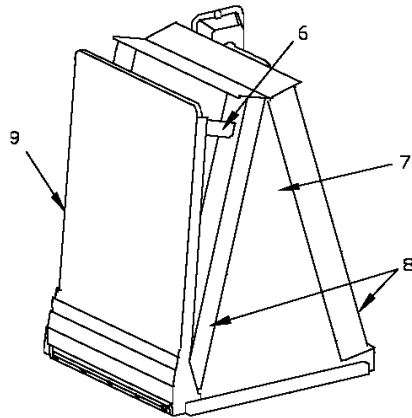
75006839

REV
A

Typical Illustration. Unit may not appear exactly as shown.

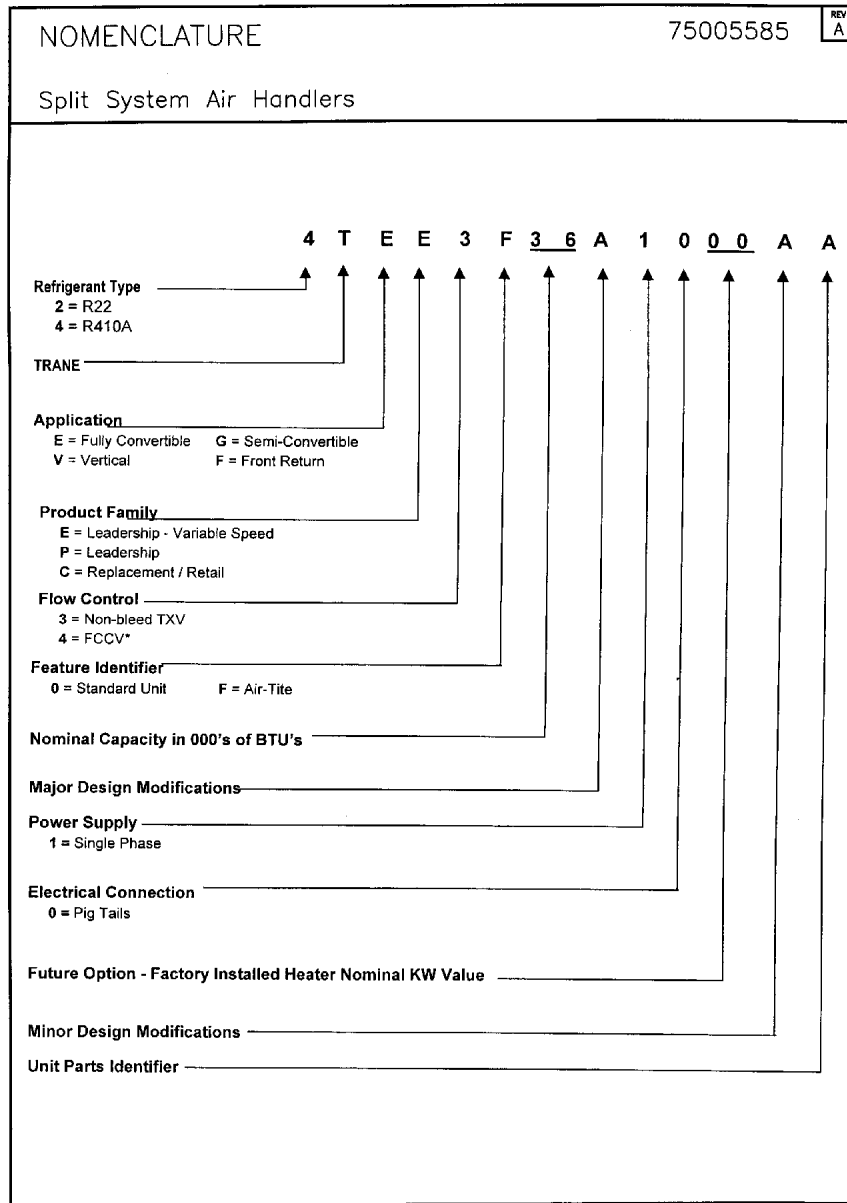


Front View



Rear View

Part No.	Reference No.	Quantity	Description
BAF00747	*	1	BAFFLE; TOP, 17.26 X 1.75
BAF00876	*	1	BAFFLE; COIL, 17.56 X 2.50
BAF01178	*	1	BAFFLE; TOP
BRK01723	*	1	BRACKET;
CMP00128	*	1	CLAMP; TUBE, .20IN. DIA
DST00885	*	1	DISTRIBUTOR; .28" INLET, (5/8-20 THREADED CONNECTION) 4 OUTLETS @ .192"
GKT03995	*	1	GASKET; FILTER-DOOR, 18.50 X 1.00
GKT03996	*	1	GASKET;
NUT00640	*	4	NUT, SPEED
SCR00965	*	0	SCREW, 10-16 AB HXW 1/2 S N
SCR01457	*	12	SCREW; 10-16, AB, HXW, 1/2 W/GASKET, THREAD FORMING
COL13257	1	1	COIL; COIL & DRAIN PAN ASSEMBLY
BRK01348	2	1	BRACKET; DRIP TRAY
BAF00393	3	1	BAFFLE; END
BAF01164	4	1	BAFFLE; UPPER DOGHOUSE
SHD00216	5	1	SHIELD;RETURN BEND
BRK01350	6	1	BRACKET; DRIP TRAY
BAF00397	7	2	BAFFLE;END
BAF00398	8	2	BAFFLE;HAIRPIN
PAN01083	9	1	PAN; DRIP
BAF01165	10	1	BAFFLE; LOWER DOGHOUSE
PAN01084	11	1	PAN; DRAIN, 20.22 X 19.64 X 6.00
TUB11586	12	1	TUBE; FLOW CONTROL ASSEMBLY
VAL08632	13	1	VALVE; THERMOSTATIC EXPANSION W/MECHANICAL FITTINGS, R410 REFRIGERANT, 2 TON, NON-BLEED PORT, 87/83 PSIG SUPER HEAT, INTERNAL CHECK VALVE, .125 OD X 20.00 LONG EXTERNAL EQUALIZER
CLP00223	14	1	CLIP; BULB
COR00103	15	1	CORE; VALVE, .79 LENGTH, .206-36 UNS-1 MOD. THD
HUS03740	16	1	HOUSING; COUPLING (BLACK PLASTIC)
BAF01160	17	1	BAFFLE; TOP ASSEMBLY (CONSISTS OF BAF01172-QTY 1 & BAF01173-QTY 1)



Part No.	Reference No.	Quantity	Description
75005585_4TEC3UP2_225954~P	*		MODEL NOMENCLATURE PARTS LIST

