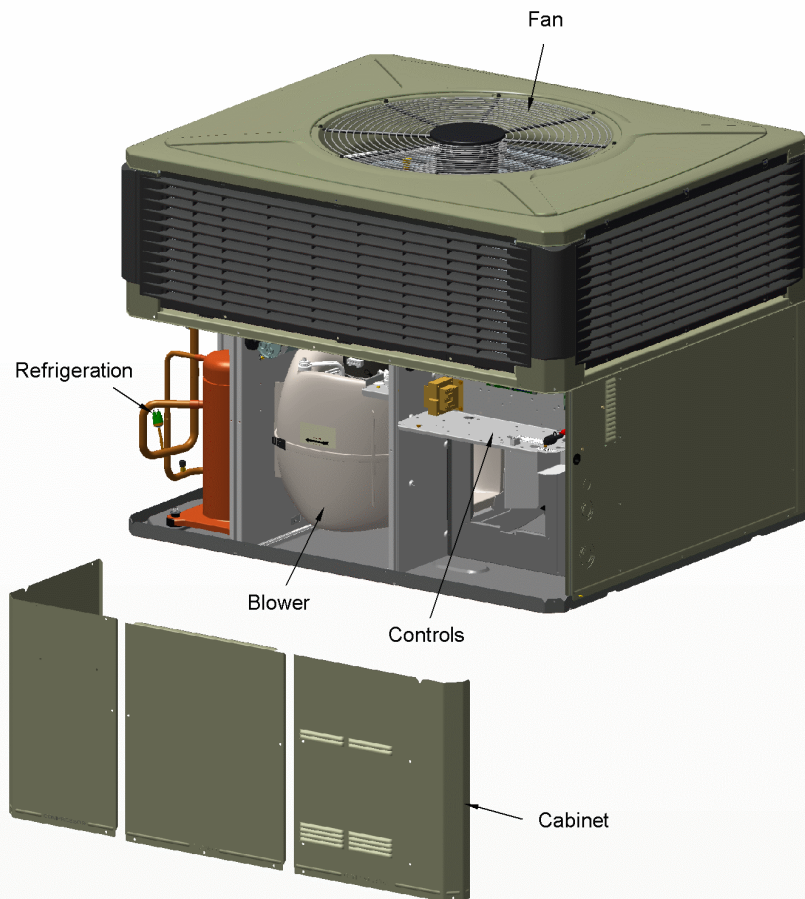


PACKAGED HEAT PUMP

75011479

REV
A



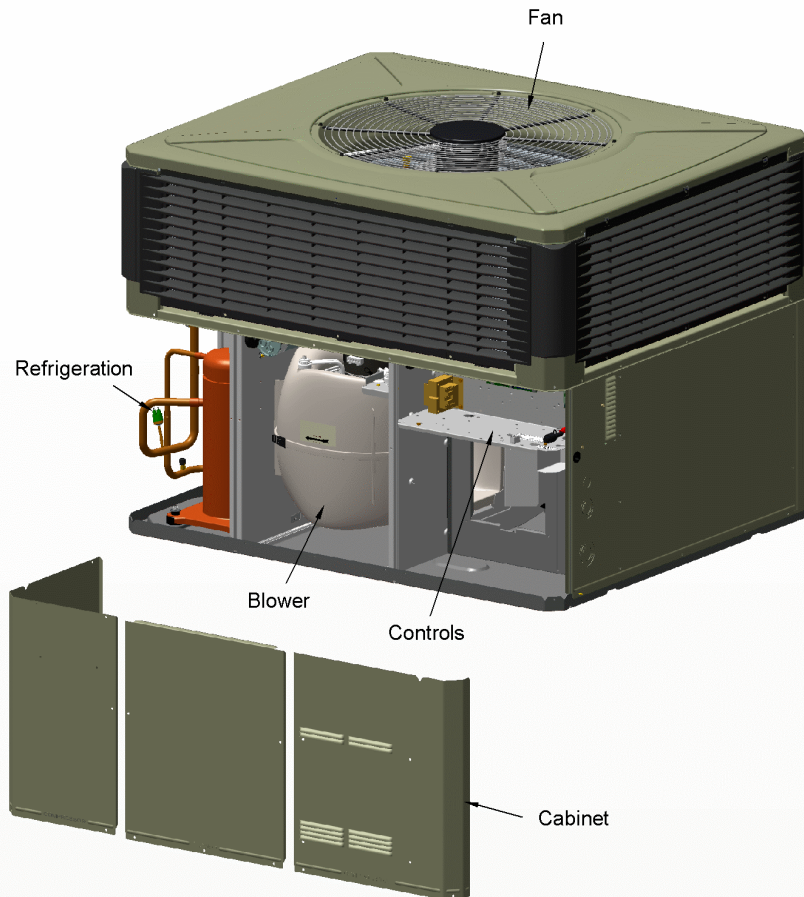
This is a typical illustration. The unit in the field may not appear exactly as shown.

Part No.	Reference No.	Quantity	Description
75010829#4TCY5UP1~S	*		BLOWER
75010713#4TCY5UP1~S	*		CABINET - LOWER
75010828#4TCY5UP1~S	*		CABINET - UPPER
75011695#4TCY5UP1~S	*		CONTROL PANEL
75010748#4TCY5UP1~S	*		FAN
75011470#4TCY5UP1~S	*		MODEL NUMBER DESCRIPTION
NGRAPHIC#4TCY5UP1~S	*		OPTIONAL EQUIPMENT
75010751#4TCY5UP1~S	*		OUTDOOR COIL
75011479_4TCY5UP1_154848~P	*		PACKAGED COOLING PARTS LIST
75010756#4TCY5UP1~S	*		REFRIGERATION

PACKAGED HEAT PUMP

75011479

REV.
A



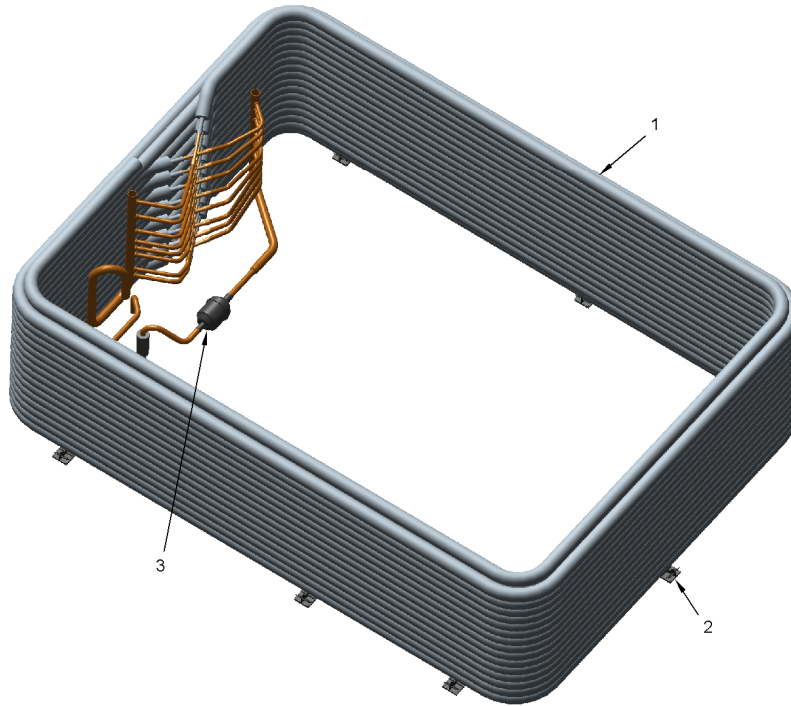
This is a typical illustration. The unit in the field may not appear exactly as shown.

OUTDOOR COIL

75010751

REV.
A

TYPICAL ILLUSTRATION



OUTDOOR COIL

Parts List Number :75011479#4TCY5UP1

Model Number :4TCY5060A1000AA

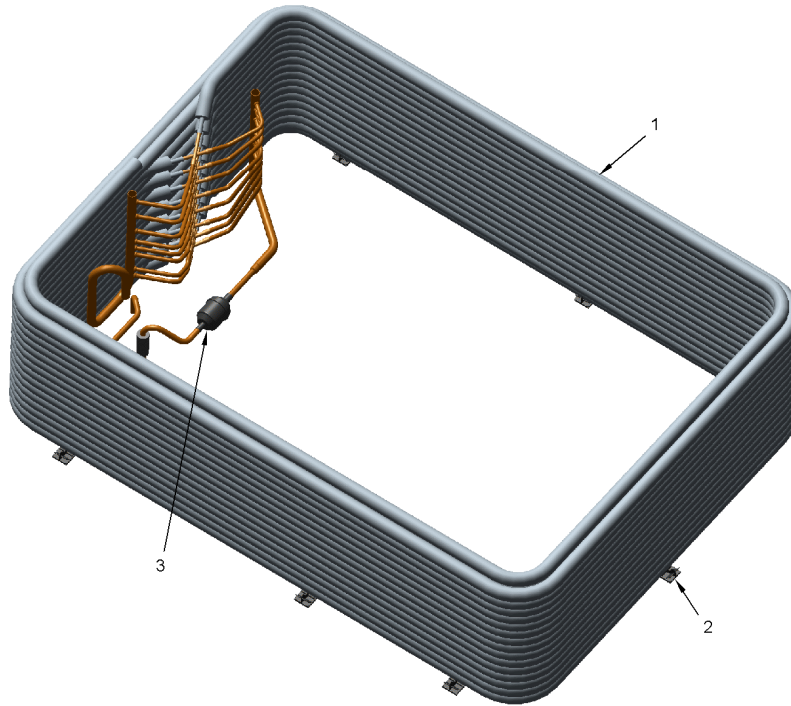
Part No.	Reference No.	Quantity	Description
75010751_4TCY5UP1_337394~P	*		OUTDOOR COIL PARTS LIST

OUTDOOR COIL

75010751

REV.
A

TYPICAL ILLUSTRATION



OUTDOOR COIL PARTS LIST

Parts List Number :75011479#4TCY5UP1

Model Number :4TCY5060A1000AA

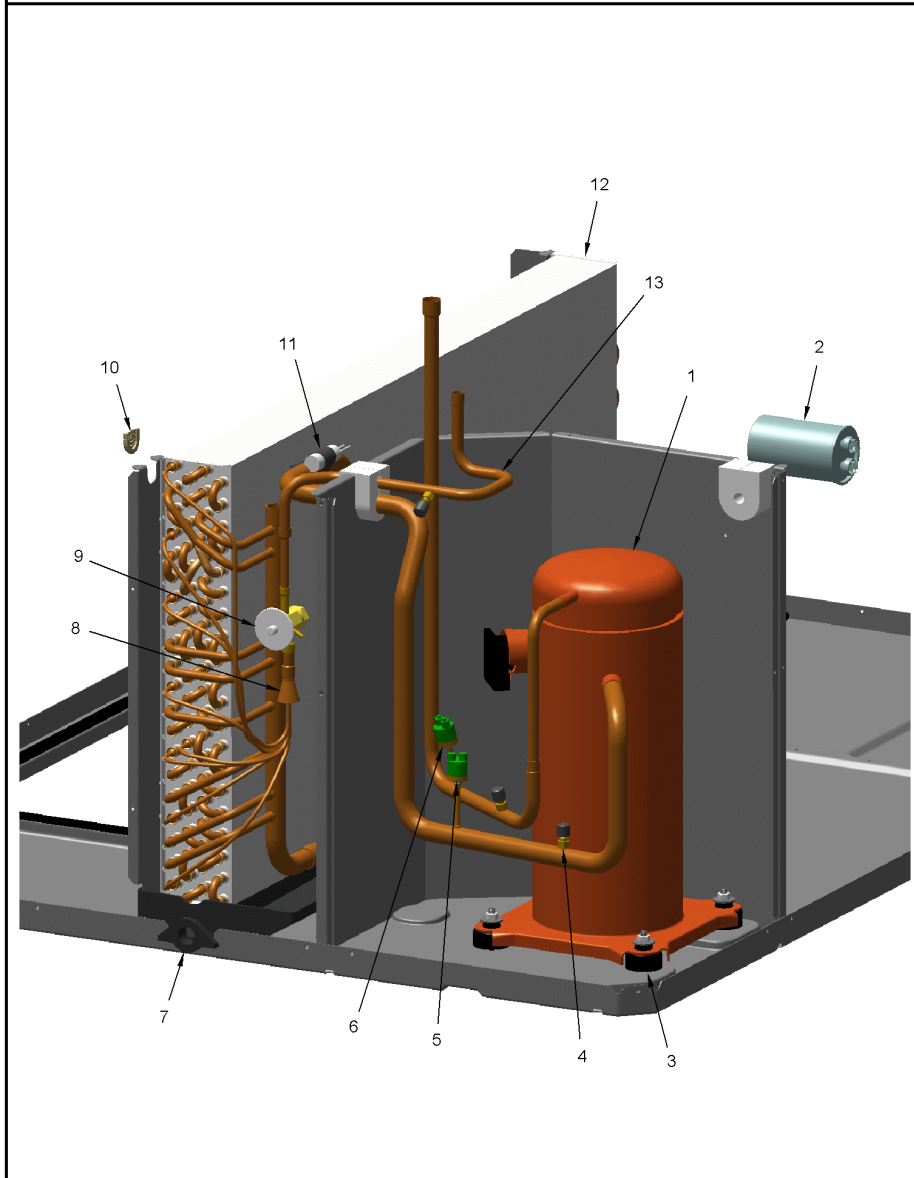
Part No.	Reference No.	Quantity	Description
COL19225	1	1	COIL; OUTDOOR, SPINE FIN
DHY01456	3	1	DRIER; LIQUID LINE; SERVICE FIRST; 5 CU. IN.; DCL054/3S, 1/2 ODF INLET X 3/8 ODF OUTLET; 5.4 TON CAPACITY; APPROVED FOR MINERAL OIL AND POE OIL REFRIG

REFRIGERATION

75010756

REV.
A

TYPICAL ILLUSTRATION



Parts List Number :75011479#4TCY5UP1

Model Number :4TCY5060A1000AA

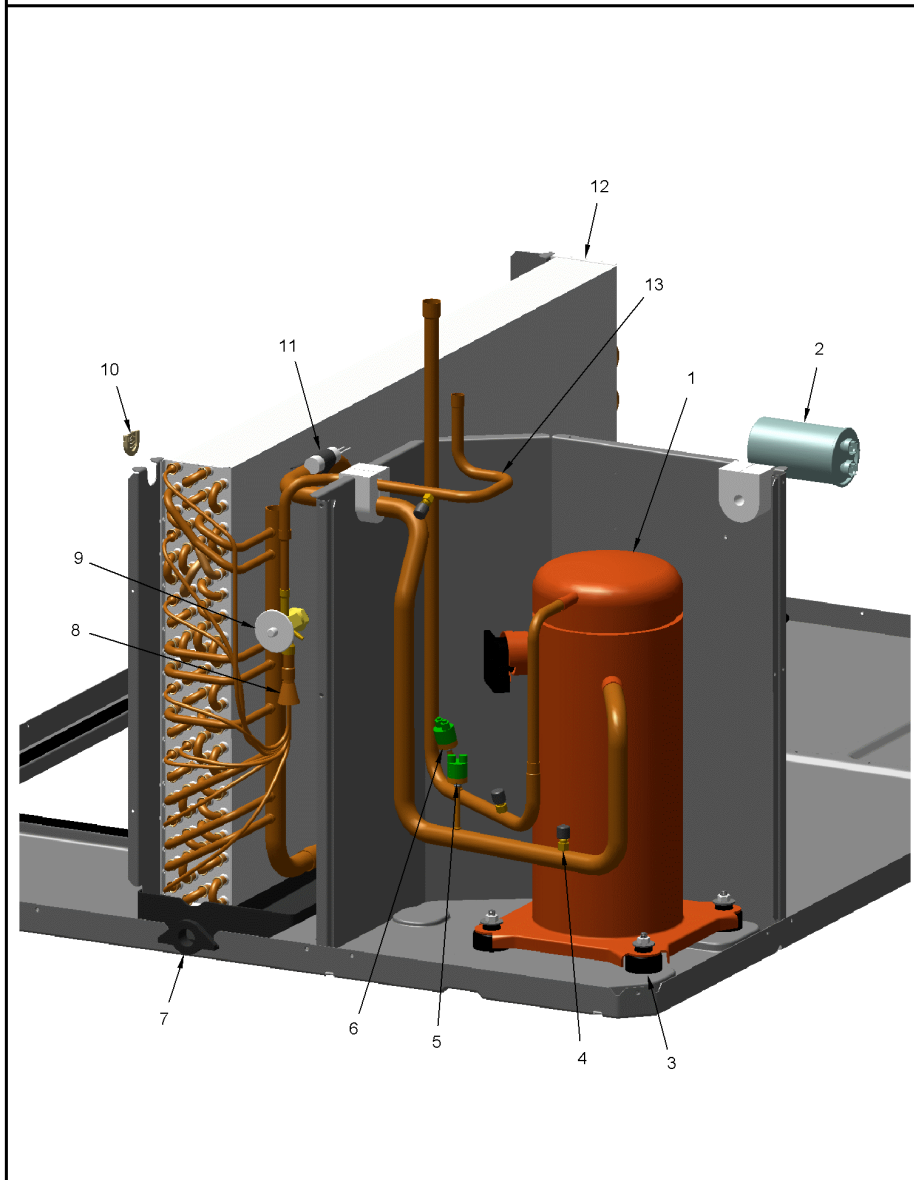
Part No.	Reference No.	Quantity	Description
75010756_4TCY5UP1_337395~P	*		REFRIGERATION PARTS LIST

REFRIGERATION

75010756

REV.
A

TYPICAL ILLUSTRATION



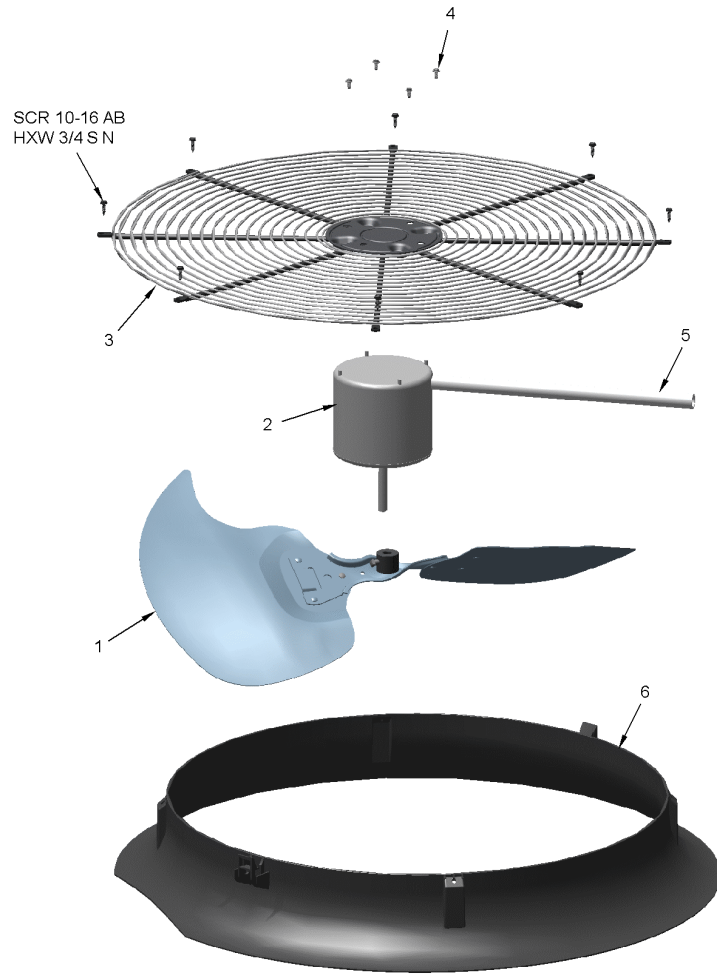
Part No.	Reference No.	Quantity	Description
PLU00976	*	1	PLUG; COMPRESSOR SOLENOID, 2-WIRE (WH,WH), 69 IN LENGTH
WIR04495	*	1	WIRE; PLUG, SCROLL COMPRESSOR, 3-WIRE (BK,OR,RD), 72 IN TOTAL LENGTH
COM10801	1	1	COMPRESSOR; SCROLL, ALLIANCE, TXA049B1BTZ, 4.0 TON, 208V-230V/60/1, R-410A, 7/8 SUCTION, 1/2 DISCHARGE, STUB TUBE
CPT01032	2	1	CAPACITOR; DUAL, 40/7.5 MFD, 440V, ROUND, W/O RESISTOR
SCR01510	2	2	SCREW; 10-16 AB HXW 1/2 SN
SRP00281	2	1	STRAP; CAPACITOR
BLT00809	3	4	BOLT; CARRIAGE, 5/16-18 X 1-3/4
GKT01820	3	4	GASKET; 3/4 OD X 7/16 ID X .06 THK
ISR00007	3	4	ISOLATOR; VIBRATION
NUT00355	3	4	NUT; HEX, LOCK, 5/16IN.-18
NUT00890	3	4	NUT; PALLET, 5/16-18 UNC 2B THD.
WAS00638	3	4	WASHER; FLAT, 5/16 INCH
BOD00114	4	3	BODY; VALVE, BRASS, 7/16 HEX, 7/16 -20 UNF-2A
CAP00455	4	3	CAP; HUB, 7/16-20 STRAIGHT
COR00103	4	3	CORE; VALVE, .79 LENGTH, .206-36 UNS-1 MOD. THD
SWT03694	5	1	SWITCH; LOW PRESSURE, OPEN @ 50 PSIG, CLOSE @ 70 PSIG, 69" LEADS
SWT03697	6	1	SWITCH; HIGH PRESSURE, SPST, OPEN @ 650 PSIG, CLOSE @ 500 PSIG, 74" LEAD
PAN02889	7	1	PAN; DRAIN, BLACK PVC, 35.70 X 7.75
DST00898	8	1	DISTRIBUTOR; 8 OUTLETS, 19 ODS, .50 ODM INLET, BRASS
TUB11763	9	1	TUBE; ASSEMBLY, INDOOR FLOW CONTROL, R410A
VAL08717	9	1	VALVE; EXPANSION W/ SWEAT FITTINGS, 6 TON, 3/8 IN INLET X 1/2 IN OUTLET, 92/88 PSIG, R410A
GRM00103	10	1	GROMMET; SPLIT, COMPRESSOR
CLP00296	11	1	CLIP; TXV BULB, 7/8 INCH
COL25467	12	1	COIL; INDOOR, FLAT FIN
TUB13267	13	1	TUBE; LIQUID LINE ASSEMBLY

FAN

75010748

REV.
A

TYPICAL ILLUSTRATION



Parts List Number :75011479#4TCY5UP1

Model Number :4TCY5060A1000AA

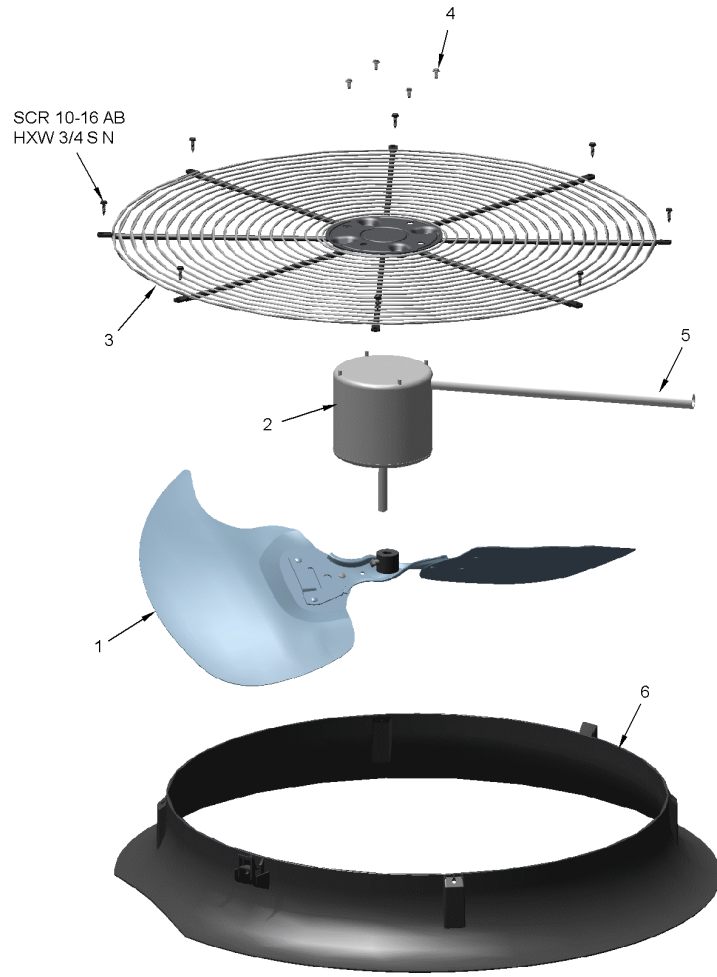
Part No.	Reference No.	Quantity	Description
75010748_4TCY5UP1_337393~P	*		FAN PARTS LIST

FAN

75010748

REV.
A

TYPICAL ILLUSTRATION



Parts List Number :75011479#4TCY5UP1

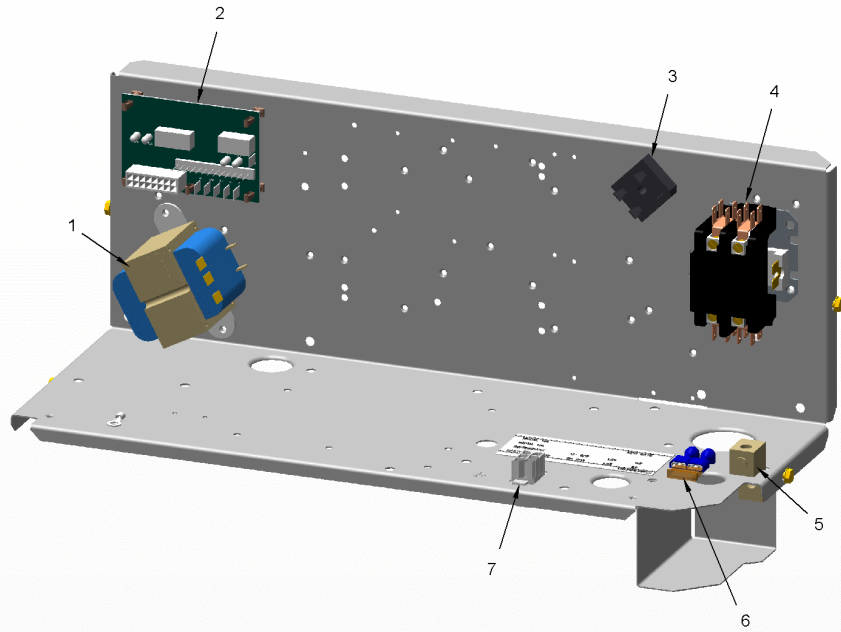
Model Number :4TCY5060A1000AA

Part No.	Reference No.	Quantity	Description
FAN03849	1	1	FAN; SWEPT BLADE, 2 BLADE, ALUMINUM, 28 IN DIA, 30 DEG PITCH, .50 IN BORE, CCW, 1 SET SCREW-STEEL, FINISH/PAINT
MOT13829	2	1	MOTOR; OUTDOOR, 1/4 HP, 200-230/60/1, 825 RPM, TYPE PSC, CCW, SLEEVE BEARINGS, 7.5 MFD CPT AT 370V
GRL01530	3	1	GRILL; OUTDOOR FAN, 30.64 IN MOUNTING DIA
SCR02086	4	4	SCREW; 10-32 TR-3 HXW 3/8 S
GRD01440	5	1	GUARD; TROUGH-LEAD
ORF01443	6	1	ORIFICE; INLET, 34.12 OUTSIDE DIA, 28.28 INSIDE DIA

CONTROL PANEL

75011695

REV.
A



This is a typical illustration. The unit in the field may not appear exactly as shown.

Parts List Number :75011479#4TCY5UP1

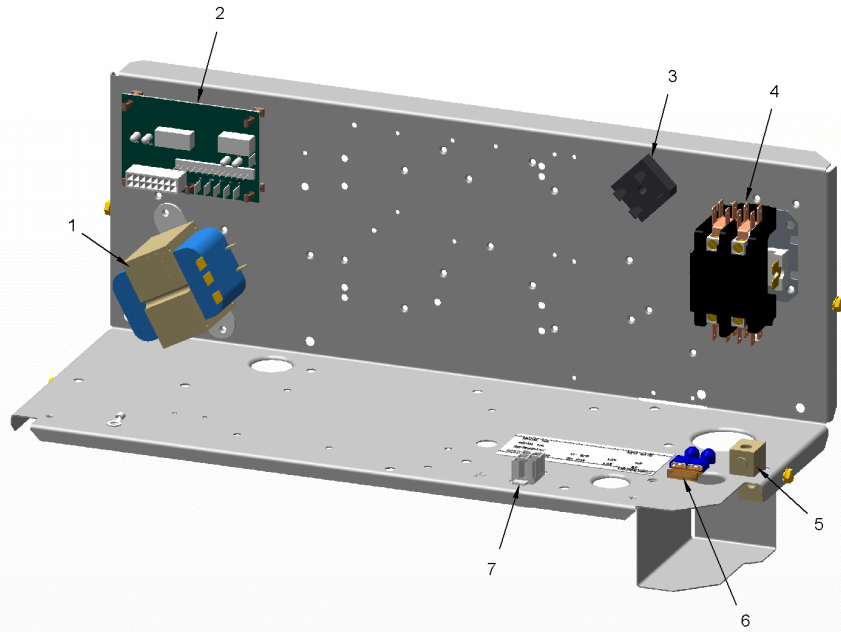
Model Number :4TCY5060A1000AA

Part No.	Reference No.	Quantity	Description
75011695_4TCY5UP1_337398~P	*		CONTROL PANEL PARTS LIST

CONTROL PANEL

75011695

REV.
A



This is a typical illustration. The unit in the field may not appear exactly as shown.

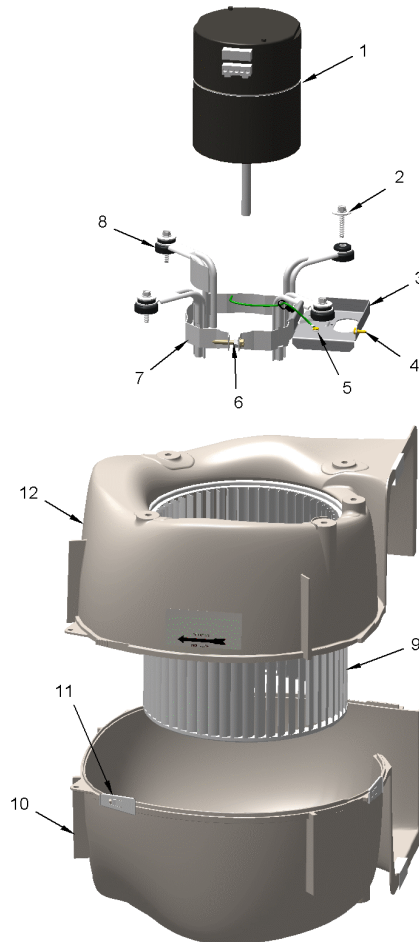
Part No.	Reference No.	Quantity	Description
SCR00998	*	7	SCREW; 10-16 B HXW 1/2 S
WIR08495	*	1	WIRE; HARNESS, CONTROLS
TRR01898	1	1	TRANSFORMER; 50VA, 208/240V PRI, 24V SEC
CNT03600	2	1	CONTROL; ICM FAN, PWB, 16 PIN
RTF00058	3	1	RECTIFIER; BRIDGE
CTR01333	4	1	CONTACTOR; 2 POLE, NO, 40 FLA AT 240V, 50/60 HZ, 50 RES AMPS, 24V COIL, 40 FLA AT 277/480/600V
LUG00014	5	1	LUG, GROUND
FUS01089	6	1	FUSE; 5 AMP, TAN, AUTOMOTIVE STYLE
RCT00062	7	1	RECEPTACLE; CONNECTOR, 6 PIN, POLARIZED, MALE

BLOWER

75010829

REV.
A

TYPICAL ILLUSTRATION



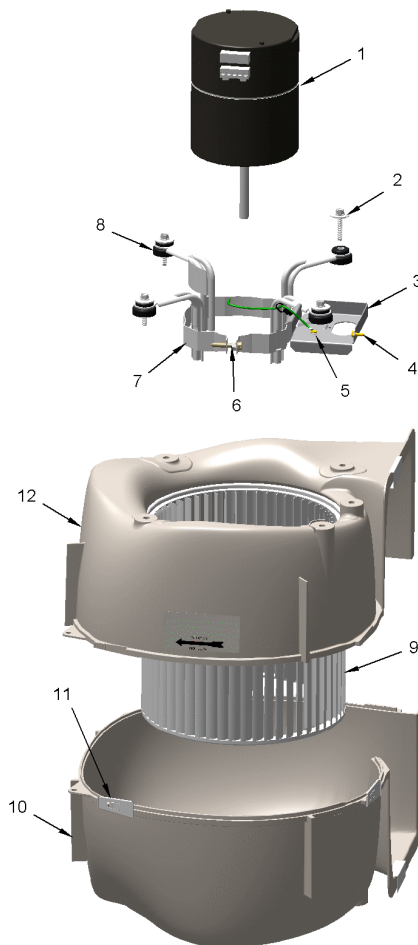
Part No.	Reference No.	Quantity	Description
75010829_4TCY5UP1_337397~P	*		BLOWER PARTS LIST

BLOWER

75010829

REV.
A

TYPICAL ILLUSTRATION

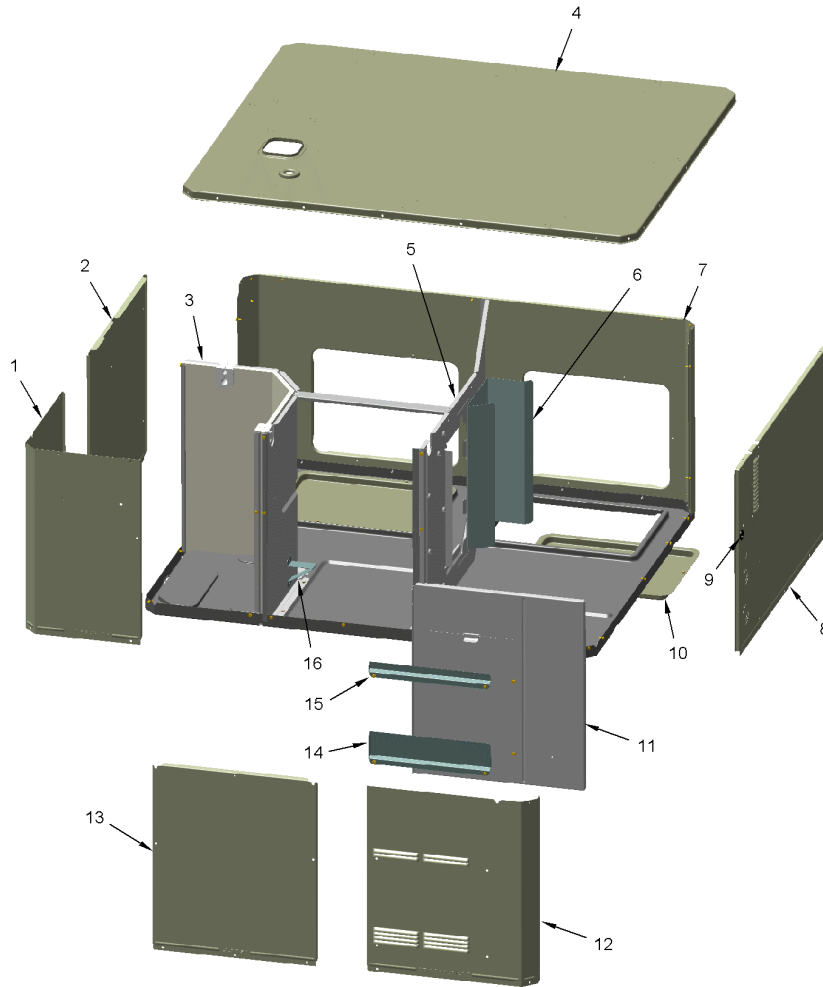


Part No.	Reference No.	Quantity	Description
BLW01451	*	1	BLOWER; ASSEMBLY-COMPLETE (PROGRAMMED MOTOR/MODULE, HOUSING, WHEEL, BELLY BAND & MOTOR BRACKETS)
MOD02781	1	1	MODULE; EON, ELECTRONIC MOTOR CONTROL, VARIABLE SPEED PROGRAMMED. MODULE ONLY FOR MOT17538.
MOT17538	1	1	MOTOR; VARIABLE SPEED, PROGRAMMED EON ASSEMBLY, 1 HP, DUAL VOLT, 1800 RPM
SCR02112	2	4	SCREW; ASSEMBLY-MOTOR MOUNT
BRK03543	3	1	BRACKET; BLOWER RETAINER, 4.32 X 5.64
SCR00998	4	1	SCREW; 10-16 B HXW 1/2 S
SCR00968	5	1	SCREW; 10-16 HEX WASHER, TYPE B, THREAD FORMING SCREW, 0.31 THREAD LENGTH, STEEL W/ZINC FINISH
NUT00487	6	1	NUT; STEEL HEX, 1/4-20
SCR01584	6	1	BOLT; 1/4-20 MA HX 1.5 S
WAS00646	6	1	WASHER; STEEL SPRING LOCK, 1/4 INCH
BND00026	7	1	BAND; MOTOR MOUNT
BRK03396	8	4	BRACKET; ARM-MOTOR
WHL02557	9	1	WHEEL; BLOWER, 53 BLADES, CCW, CONCAVE DISC, 11.75 X 10.62
HUS03824	10	1	HOUSING; BLOWER LEFT SIDE WITH 4 MOUNTING HOLES, MOLDED GLASS FIBER POLYESTER, COLOR: NATURAL
CLP01088	11	4	CLIP; CLEAT-BLOWER
HUS03825	12	1	HOUSING; BLOWER RIGHT SIDE WITHOUT MOUNTING HOLES, MOLDED GLASS FIBER POLYESTER, COLOR: NATURAL

CABINET
LOWER - INDOOR
TYPICAL ILLUSTRATION

75010713

REV.
A



Parts List Number :75011479#4TCY5UP1

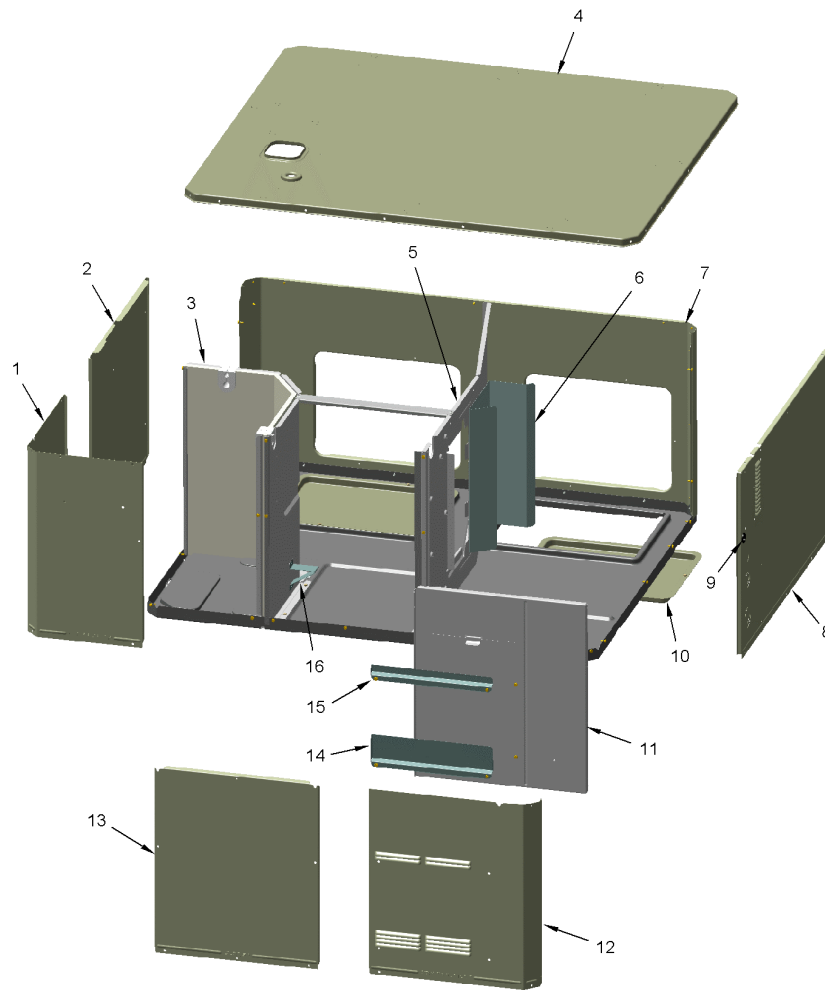
Model Number :4TCY5060A1000AA

Part No.	Reference No.	Quantity	Description
75010713_4TCY5UP1_190600~P	*		CABINET - LOWER PARTS LIST

CABINET
LOWER - INDOOR
TYPICAL ILLUSTRATION

75010713

REV.
A

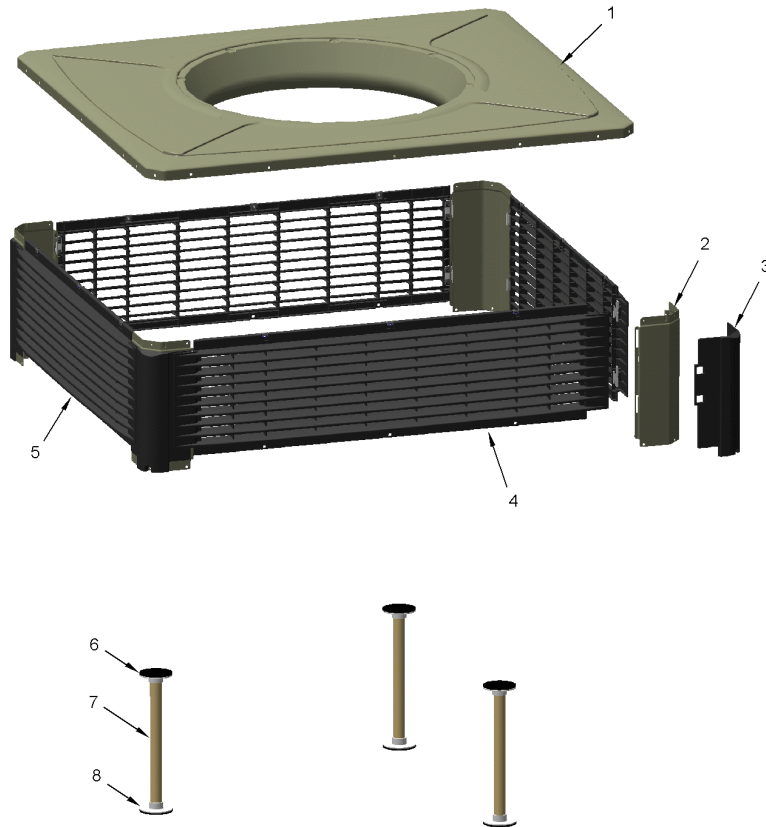


Part No.	Reference No.	Quantity	Description
BRK03544	*	1	BRACKET; BLOWER SUPPORT, U-SHAPED, 3.00 X 2.00 X 2.83
PAI00074	*	1	PAINT; SPRAY, SLATE GREY, FULL GLOSS(88) (SHIPPING UOM 12 OZ HAZ)
SCR01510	*	52	SCREW; 10-16 AB HXW 1/2 SN
SHD00397	*	1	SHIELD; LOUVER, TOP, 5.0 X 1.9
PNL21998	1	1	PANEL; COMPRESSOR ACCESS, 20.7 X 12.7 & 20.7 X 15.5
PNL22040	2	1	PANEL; INDOOR COIL ACCESS, 25.42 X 20.70
PNL28755	3	1	PANEL; COMPRESSOR BARRIER, 27.22 W X 21.15 H
COV03697	4	1	COVER; INDOOR, TOP, 58.33 X 44.08
PNL26625	5	1	PANEL; BLOWER BARRIER, 44.05 X 21.15
BAF01378	6	1	BAFFLE; AIR, 16.00 X 8.50
PNL22193	7	1	PANEL; SUPPLY AND RETURN, 58.13 X 20.88
PNL22037	8	1	PANEL; ELECTRIC HEAT ACCESS, 38.49 X 20.91
GRM00118	9	1	GROMMET; 3/16 IN ID, NEOPRENE
COV03699	10	2	COVER; SUPPLY AND RETURN, 17.88 X 14.88
PLT04182	11	1	PLATE; ELECTRIC HEATER, 21.15 x 18.30. INCLUDES BARRIER AND PLATE
PNL22041	12	1	PANEL; CONTROL/HEAT ACCESS, 17.93 X 20.70
PNL22014	13	1	PANEL; BLOWER ACCESS, 27.36 X 20.70
SHD00395	14	1	SHIELD; LOUVER, CONTROL ACCESS PANEL, 12.95 X 3.40
SHD00396	15	1	SHIELD; LOUVER, CONTROL ACCESS PANEL, 12.95 X 1.50

CABINET
UPPER-OUTDOOR
TYPICAL ILLUSTRATION

75010828

REV.
A



Parts List Number :75011479#4TCY5UP1

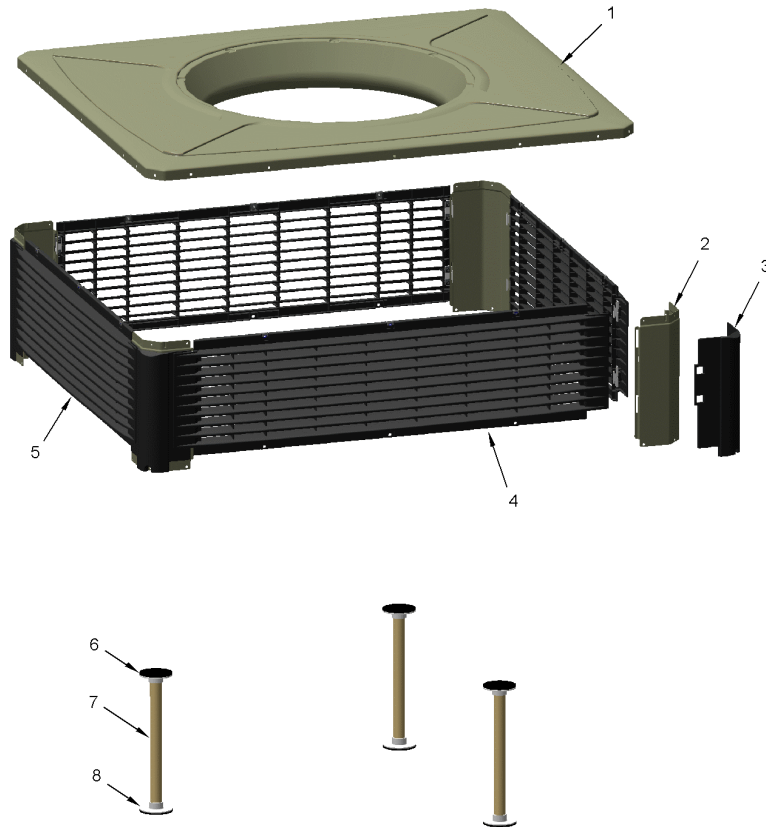
Model Number :4TCY5060A1000AA

Part No.	Reference No.	Quantity	Description
75010828_4TCY5UP1_337396~P	*		CABINET - UPPER PARTS LIST

CABINET
UPPER-OUTDOOR
TYPICAL ILLUSTRATION

75010828

REV.
A



Part No.	Reference No.	Quantity	Description
SCR01510	*	24	SCREW; 10-16 AB HXW 1/2 SN
COV03695	1	1	COVER; OUTDOOR, TOP, 58.33 X 44.08
PNL22004	2	4	PANEL; CORNER POST, 17.84 H
GRD01915	3	4	GUARD; BUMPER, UPPER CORNER, 16.81 H X 6.83 W
PNL22192	4	2	PANEL; PLASTIC LOUVER, 53.12 X 17.40 - INCLUDES SPEED NUTS AND MOUNTING BRACKETS.
PNL22188	5	2	PANEL; PLASTIC LOUVER, 38.86 X 17.40 - INCLUDES SPEED NUTS AND MOUNTING BRACKETS.
SUP05919	6	3	SUPPORT; OUTDOOR COIL, 3.0 DIA, WITH GASKET
TUB12257	7	3	TUBE; SUPPORT, TOP PIPE, .75 DIA, SCHEDULE 40 GREY PVC, 18.46 INCHES
SUP05918	8	3	SUPPORT; OUTDOOR COIL, 3.0 DIA, WITH GASKET

MODEL NUMBER DESCRIPTION

75011470

RB
B

PACKAGED UNITS

Example Model Number:

4 Y C Y 5 0 4 8 A 1 0 9 0 A A
1 - - - - 5 - - - - 10 - - - - 15

Digit 1 – Refrigerant

4 = R-410A

Digit 2 – Type

Y = Gas Electric
W = Heat Pump
D = Dual Fuel
T = Air Conditioner

Digit 3 – Model Tier

C = Convertible
H = Horizontal (only)

Digit 4 – Model Tier

C = Entry Level
X = Upgrade
Y = Premium
Z = Leadership - (2-Stage)
A = Ameristar

Digit 5 – Efficiency Tier

3 = 13 SEER
4 = 14 SEER
5 = 15 SEER
6 = 16 SEER

Digits 6,7,8 – Capacity in 1000's (BTUH)

018 042
024 048
030 060
036

Digit 9 – Major Design Change

Digit 10 – Voltage & Phase

1 = 230V 1 Phase
3 = 230V 3 Phase
4 = 460V 3 Phase

Digit 11,12,13 – Gas Heat Input (MBTU/H)

000 (AC or HP) 075
040 096
064 120

Digit 14 – Minor Design Change

Digit 15 – Service Digit - Not Orderable

Part No.	Reference No.	Quantity	Description
75011470_4TCY5UP1_154857~P	*		MODEL NUMBER DESCRIPTION PARTS LIST

MODEL NUMBER DESCRIPTION	75011470	REV C
PACKAGED UNITS		
<i>Example Model Number:</i> 4 Y C Y 5 0 4 8 A 1 0 9 0 A A <small>1 - - - 5 - - - 10 - - - 15</small>		
Digit 1 – Refrigerant 4 = R-410A		
Digit 2 – Type Y = Gas Electric W = Heat Pump D = Dual Fuel T = Air Conditioner		
Digit 3 – Model Tier C = Convertible H = Horizontal (only)		
Digit 4 – Model Tier C = Entry Level X = Upgrade Y = Premium Z = Leadership - (2-Stage) A = RunTru Brand		
Digit 5 – Efficiency Tier 3 = 13 SEER 4 = 14 SEER 5 = 15 SEER 6 = 16 SEER		
Digits 6,7,8 – Capacity in 1000's (BTUH) 018 042 024 048 030 060 036		
Digit 9 – Major Design Change		
Digit 10 – Voltage & Phase 1 = 230V 1 Phase 3 = 230V 3 Phase 4 = 460V 3 Phase		
Digit 11,12,13 – Gas Heat Input (MBTU/H) 000 (AC or HP) 075 040 096 064 120		
Digit 14 – Minor Design Change		
Digit 15 – Service Digit - Not Orderable		
1 of 1		

OPTIONAL EQUIPMENT

Parts List Number :75011479#4TCY5UP1

Model Number :4TCY5060A1000AA

Part No.	Reference No.	Quantity	Description
NGRAPHIC_4TCY5UP1_337399~ P	*		OPTIONAL EQUIPMENT PARTS LIST

NO GRAPHIC AVAILABLE

75013702

REV
A

**NO
GRAPHIC
AVAILABLE**

Part No.	Reference No.	Quantity	Description
BAYUV102A	*	1	36 WATT UV LIGHT KIT FOR MEDIUM PACKAGED UNITS
ECN00112	*	1	ECONOMIZER; DOWN DISCHARGE, AND RAIN HOOD(BAYECON102AA)
ECN00114	*	1	ECONOMIZER; HORIZONTAL (BAYECON201AA)
HTR15949	*	1	HEATER; ELECTRIC, 3.76/5.0 KW, 208/240/1 (BAYHTRV105FA)
HTR15992	*	1	HEATER; ELECTRIC, 6.0/8.0 KW, 208/240/1 (BAYHTRV108F)
HTR15996	*	1	HEATER; ELECTRIC, 7.51/10.0 KW, 208/240/1 (BAYHTRV110FA)
HTR15997	*	1	HEATER; ELECTRIC, 11.27/15.0 KW, 208/240/1 (BAYHTRV115FA)
HTR15999	*	1	HEATER; ELECTRIC, 15.02/20.0 KW, 208/240/1 (BAYHTRV120F)
HTR16161	*	1	HEATER; W/CONTROL, TUTCO
HTR16162	*	1	HEATER; W/CONTROL, TUTCO
HTR16163	*	1	HEATER; W/CONTROL, TUTCO
KIT03361	*	1	KIT; LIFTING LUGS-BAYLIFT002B (CTN = 6 PIECES)
KIT06658	*	1	KIT; ENTHALPY CONTROL (BAYENTH001AB)
KIT13553	*	1	KIT; CURB ADAPTER (BAYADAP052AA)
KIT13554	*	1	KIT; CURB ADAPTER (BAYADAP053AA)
KIT13555	*	1	KIT; CURB ADAPTER (BAYADAP054AA)
KIT13557	*	1	KIT; CRANKCASE HEATER, 230V SCROLL COMPRESSORS (BAYCCHT102AA) 6.5-7.5 DIA, 60W, 110L
KIT13559	*	1	KIT; 12 INCH DUCT SHROUD COVERS HORIZONTAL (BAYCOVR112AA)
KIT13560	*	1	KIT; 18 INCH DUCT SHROUD COVERS HORIZONTAL (BAYCOVR118AA)
KIT13562	*	1	KIT; FULL PERIMETER ROOF MOUNTING CURB (BAYCURB051AA)
KIT13564	*	1	KIT; OUTSIDE AIR, 2 POS DAMPER (BAYDMPR102AA)
KIT13565	*	1	KIT; EXTREME CURB MOUNTING (BAYEXMK001AA)
KIT13567	*	1	KIT; EXTREME CURB MOUNTING (BAYEXMK003AA)
KIT13572	*	1	KIT; OUTSIDE AIR, MANUAL DAMPER (BAYOSAH002AA)
KIT13574	*	1	KIT; QUICK START (BAYQSTK301AA)
KIT13576	*	1	KIT; SQUARE/ROUND DUCT ADAPTER (BAYSQRD002AA)
KIT13640	*	1	KIT; LOW AMBIENT COOLING, HEAD PRESSURE CONTROL (BAYLOAM105AA)
KIT15097	*	1	KIT; FILTER FRAME (BAYFLTR201BA). USE (1) 20 X 20, PLUS (1) 20 X 18 FILTER - NOT INCLUDED.
KIT15142	*	1	KIT; ACCESS DOOR, 3-1/2 TO 5 TON MODELS (BAYACCDOR2AA)
KIT15323	*	1	KIT; EXTREME CURB MOUNTING (BAYEXMK002BA)
KIT15326	*	1	KIT; ROOF CURB UTILITY EXTENSION KIT (BAYUTIL102BA)
KIT15404	*	1	KIT; ECONOMIZER, HINGED FILTER ACCESS DOOR AND FILTER FRAME (BAYECONCOMB102A)
THT00839	*	1	THERMOSTAT; REMOTE POTENTIOMETER, 60-90 DEG F (BAYSTAT023AA)