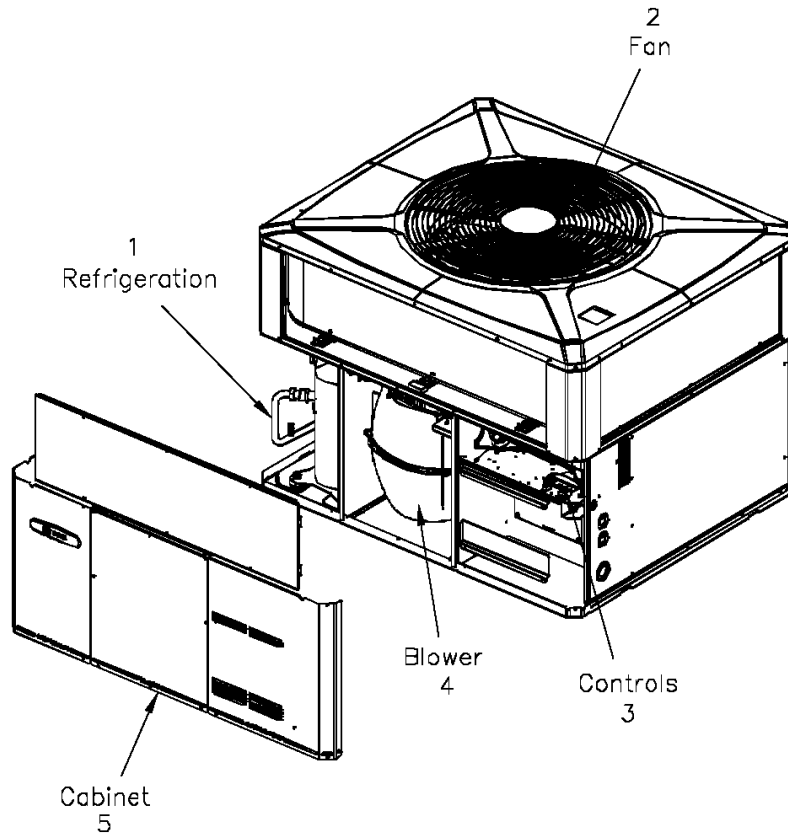


General Assembly

75008360

REV
A

Typical illustration. Unit may not appear exactly as shown.



View is determined by facing Appearance Nameplate

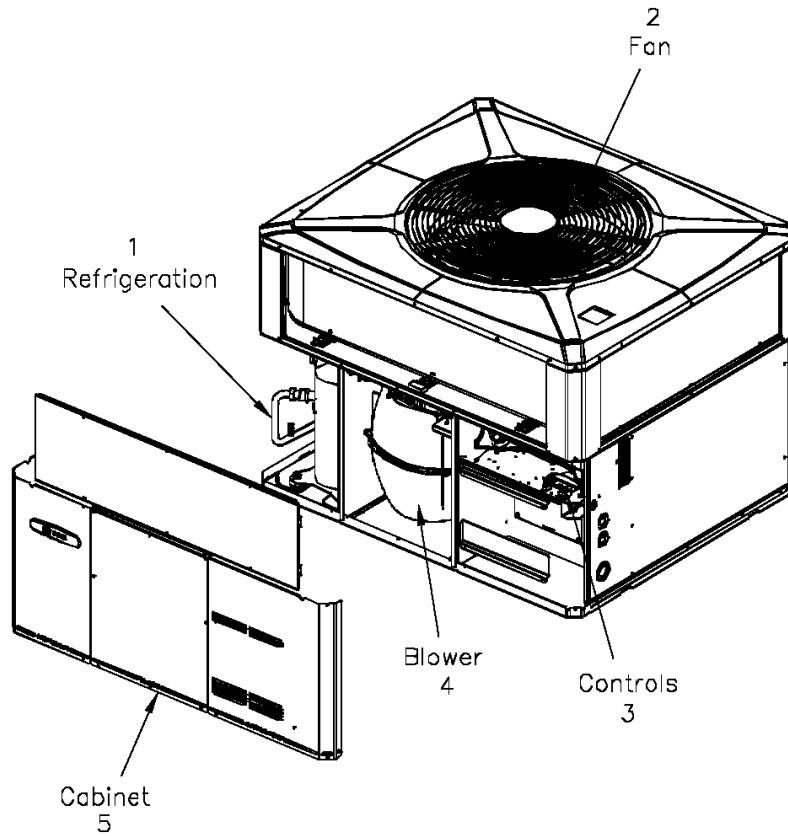
Part No.	Reference No.	Quantity	Description
75008360_4TCY4UP1_188723~P	*		4TCY4UP1 PARTS LIST
75008695#4TCY4UP1~S	*		BLOWER
75008359#4TCY4UP1~S	*		CABINET
75008617#4TCY4UP1~S	*		CONTROLS
75005599#4TCY4UP1~S	*		FAN
75008692#4TCY4UP1~S	*		MODEL NOMENCLATURE
NGRAPHIC#4TCY4UP1~S	*		OPTIONAL FIELD INSTALLED ACCESSORIES
75008392#4TCY4UP1~S	*		REFRIGERATION

General Assembly

75008360

REV
A

Typical illustration. Unit may not appear exactly as shown.



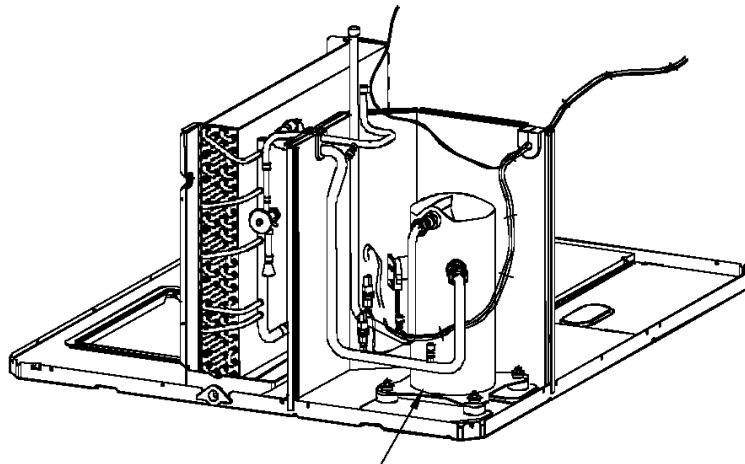
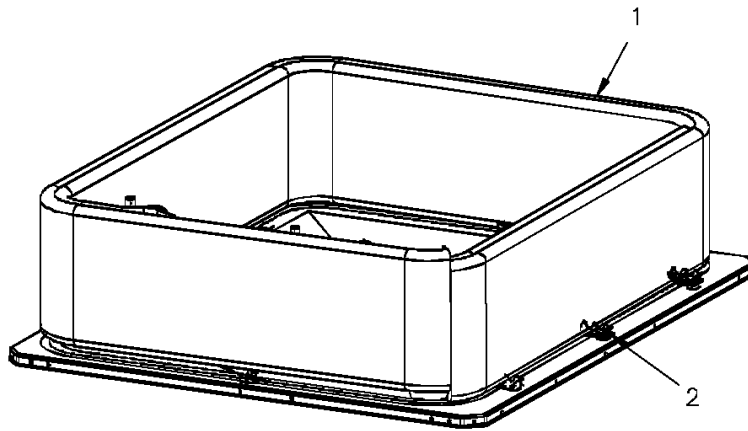
View is determined by facing Appearance Nameplate

Refrigeration

75008392

REV
A

Typical illustration. Unit may not appear exactly as shown.



3

Enlarged View

Parts List Number :75008360#4TCY4UP1

Model Number :4TCY4060A1000BA

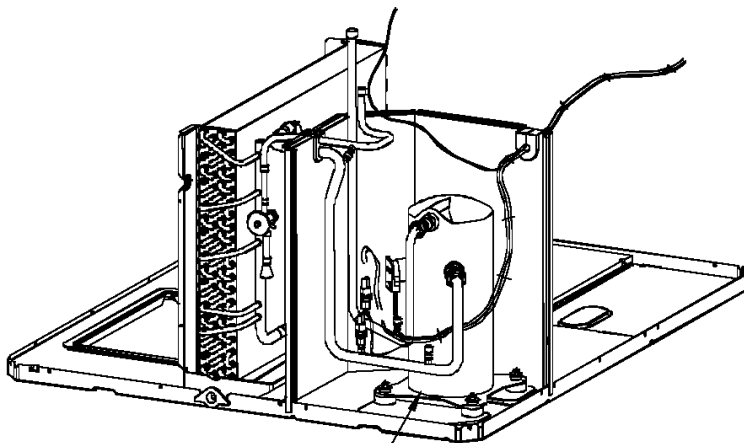
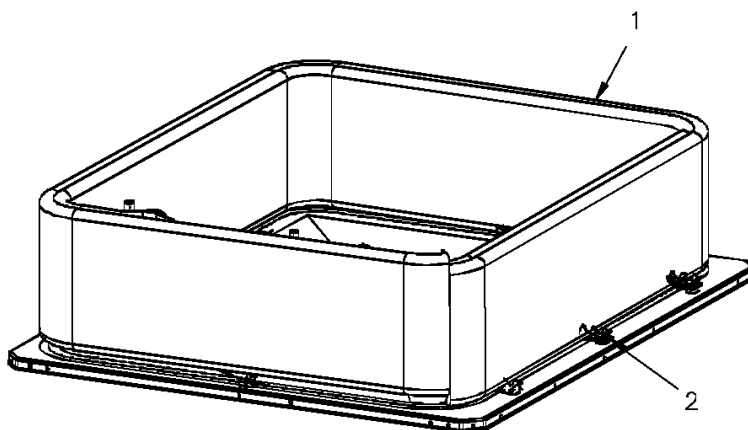
Part No.	Reference No.	Quantity	Description
75009731#4TCY4UP1~S	*		ENLARGED VIEW
75008392_4TCY4UP1_338340~P	*		REFRIGERATION PARTS LIST

Refrigeration

75008392

REV
A

Typical illustration. Unit may not appear exactly as shown.



3

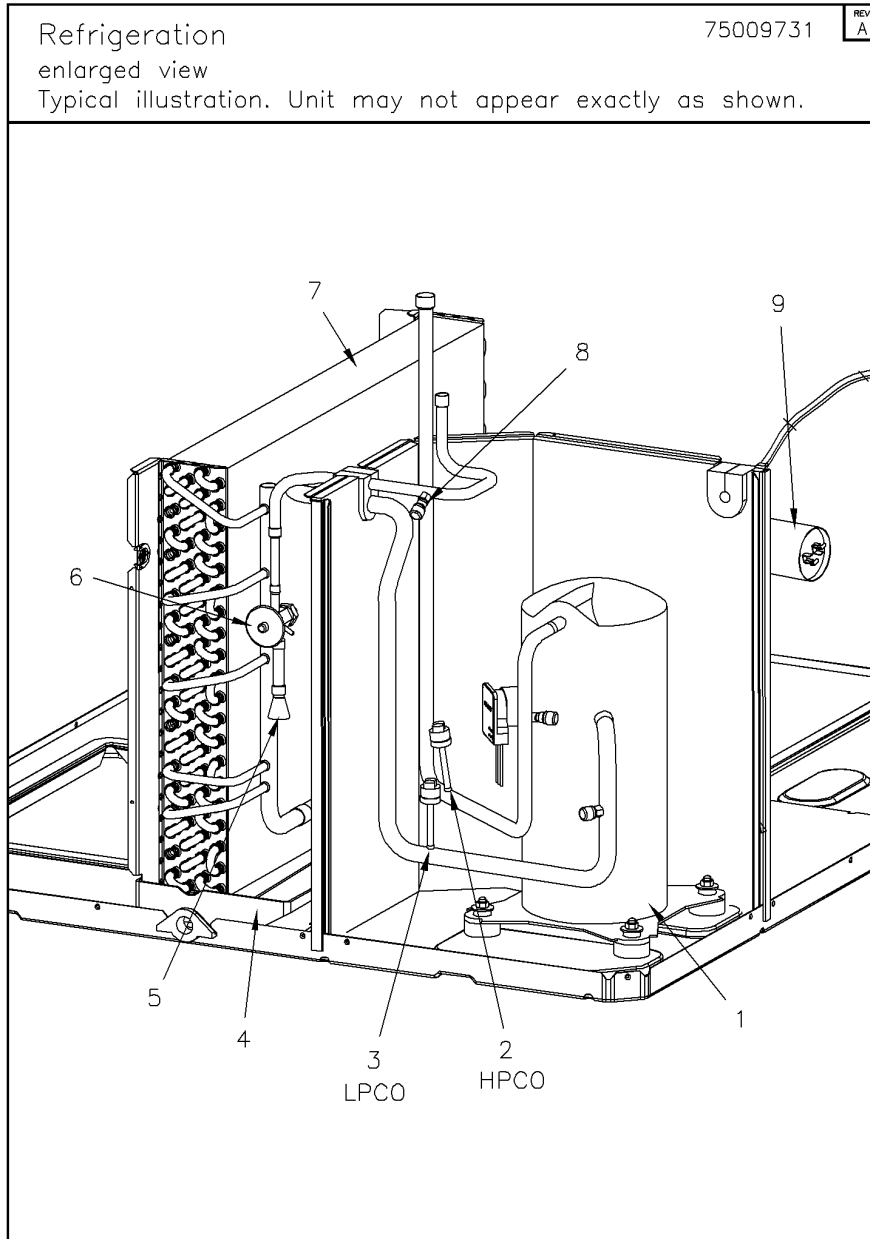
Enlarged View

REFRIGERATION PARTS LIST

Parts List Number :75008360#4TCY4UP1

Model Number :4TCY4060A1000BA

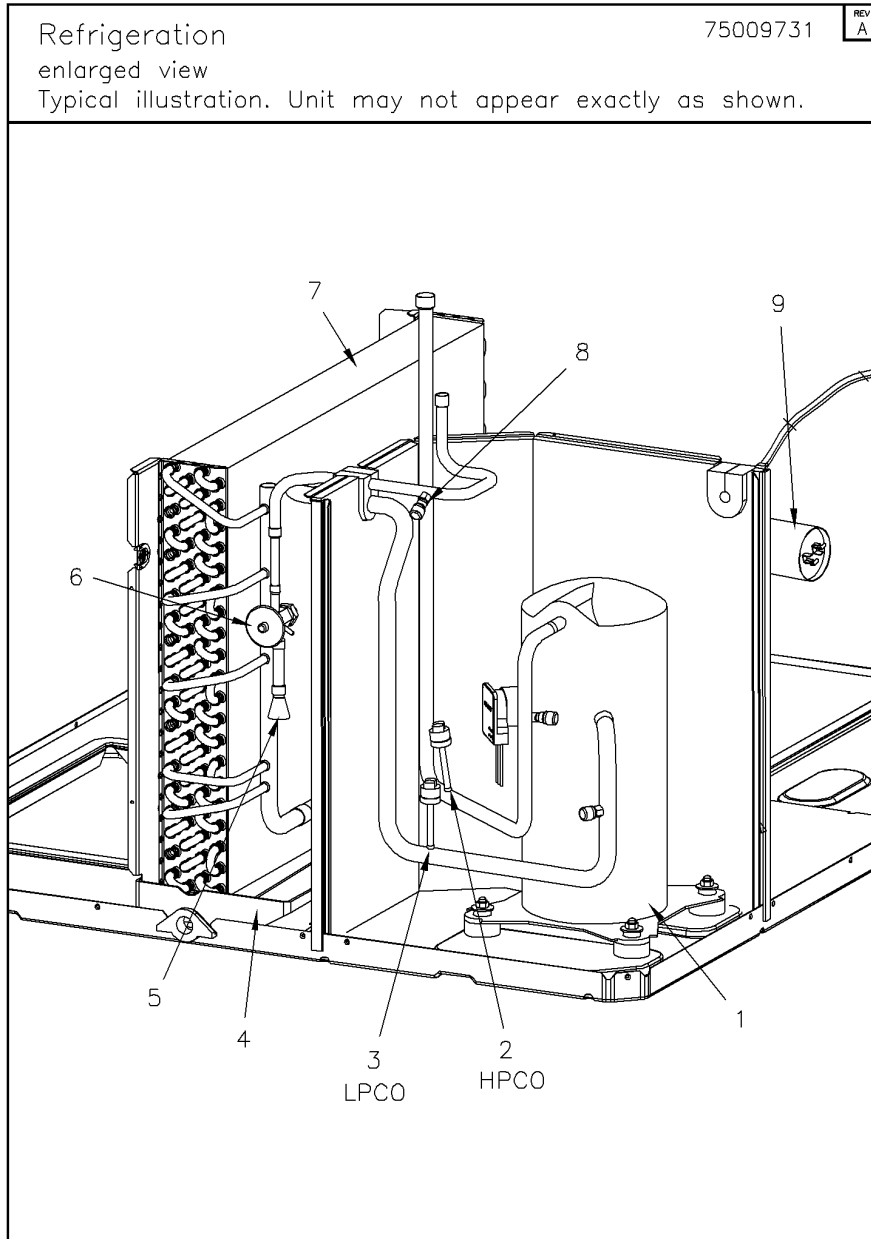
Part No.	Reference No.	Quantity	Description
DHY01456	*	1	DRIER; LIQUID LINE; SERVICE FIRST; 5 CU. IN.; DCL054/3S, 1/2 ODF INLET X 3/8 ODF OUTLET; 5.4 TON CAPACITY; APPROVED FOR MINERAL OIL AND POE OIL REFRIG
COL19225	1	1	COIL; OUTDOOR, SPINE FIN
SPC00391	2	8	SPACER; OUTDOOR COIL, 2.50 X 1.31. INCLUDES GASKET.



Parts List Number :75008360#4TCY4UP1

Model Number :4TCY4060A1000BA

Part No.	Reference No.	Quantity	Description
75009731_4TCY4UP1_338341~P	*		ENLARGED VIEW PARTS LIST



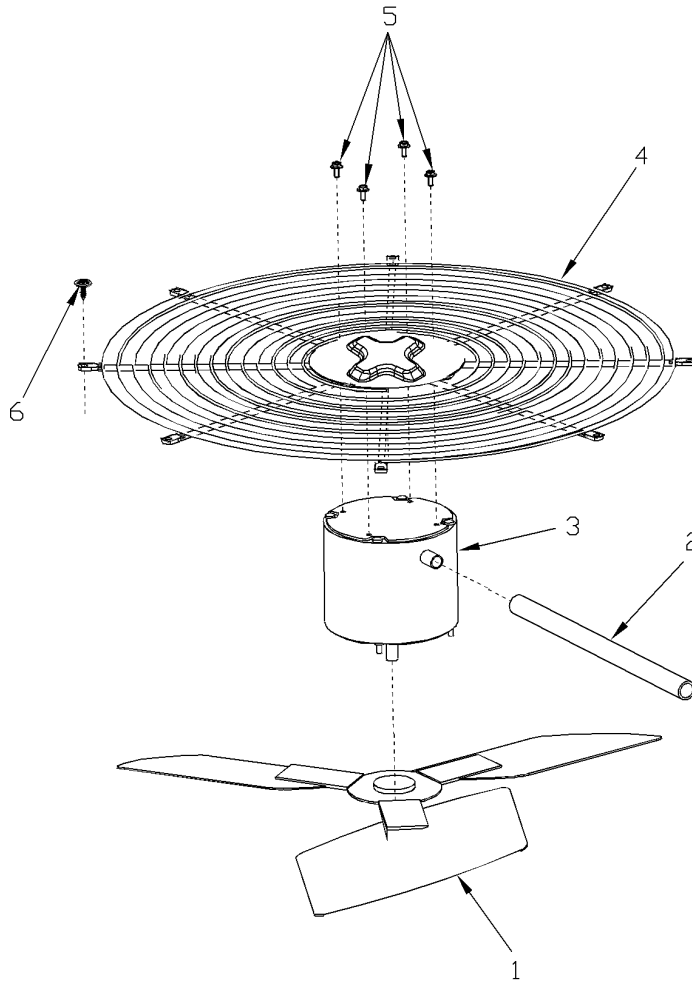
Part No.	Reference No.	Quantity	Description
BLT00809	*	4	BOLT; CARRIAGE, 5/16-18 X 1-3/4
BOD00114	*	3	BODY; VALVE, BRASS, 7/16 HEX, 7/16 -20 UNF-2A
GKT01820	*	4	GASKET; 3/4 OD X 7/16 ID X .06 THK
ISR00007	*	4	ISOLATOR; VIBRATION
NUT00355	*	4	NUT; HEX, LOCK, 5/16IN.-18
NUT00890	*	4	NUT; PALLET, 5/16-18 UNC 2B THD.
WAS00638	*	4	WASHER; FLAT, 5/16 INCH
WIR04495	*	1	WIRE; PLUG, SCROLL COMPRESSOR, 3-WIRE (BK,OR,RD), 72 IN TOTAL LENGTH
COM10071	1	1	COMPRESSOR; SCROLL, SXA051B1BPZ, 4.2 TONS, 208-230/60/1, R410A, BRAZED-STUB TUBE, RED
SWT03697	2	1	SWITCH; HIGH PRESSURE, SPST, OPEN @ 650 PSIG, CLOSE @ 500 PSIG, 74" LEAD
SWT03694	3	1	SWITCH; LOW PRESSURE, OPEN @ 50 PSIG, CLOSE @ 70 PSIG, 69" LEADS
PAN02889	4	1	PAN; DRAIN, BLACK PVC, 35.70 X 7.75
DST00898	5	1	DISTRIBUTOR; 8 OUTLETS, 19 ODS, .50 ODM INLET, BRASS
TUB11686	5	1	TUBE; ASSEMBLY, INDOOR DISTRIBUTOR
TUB11763	6	1	TUBE; ASSEMBLY, INDOOR FLOW CONTROL, R410A
VAL08717	6	1	VALVE; EXPANSION W/ SWEAT FITTINGS, 6 TON, 3/8 IN INLET X 1/2 IN OUTLET, 92/88 PSIG, R410A
COL13505	7	1	COIL; INDOOR, FLAT FIN
CAP00455	8	3	CAP; HUB, 7/16-20 STRAIGHT
COR00103	8	3	CORE; VALVE, .79 LENGTH, .206-36 UNS-1 MOD. THD
CPT00088	9	1	CAPACITOR; RUN, 10 MFD, 440V OVAL, W/O RESISTOR
CPT01233	9	1	CAPACITOR; 70 MFD, 440V, ROUND, W/O RESISTOR

FAN

75005599

REV
A

Typical Illustration. Unit may not appear exactly as shown.



Parts List Number :75008360#4TCY4UP1

Model Number :4TCY4060A1000BA

Part No.	Reference No.	Quantity	Description
75005599_4TCY4UP1_338338~P	*		FAN PARTS LIST

FAN

75005599

REV
A

Typical Illustration. Unit may not appear exactly as shown.



Parts List Number :75008360#4TCY4UP1

Model Number :4TCY4060A1000BA

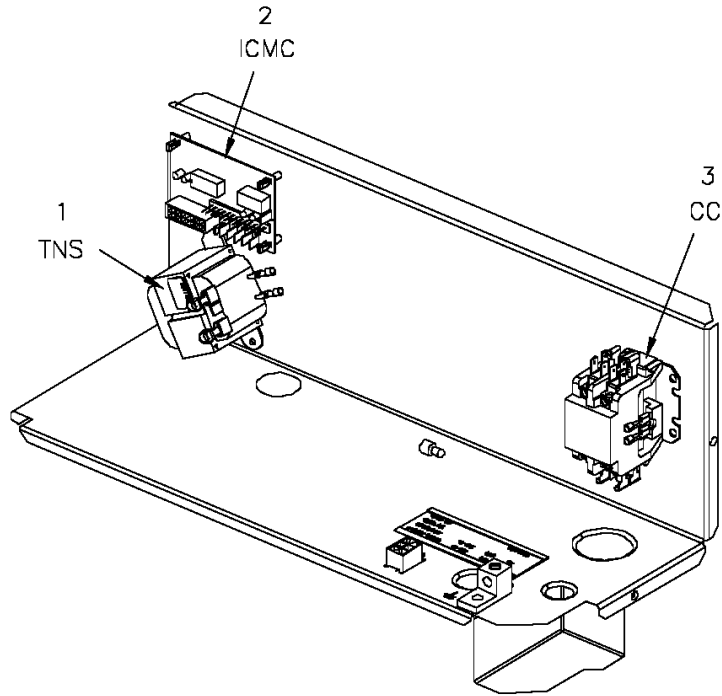
Part No.	Reference No.	Quantity	Description
FAN03907	1	1	FAN; SWEPT BLADE, 3 BLADE, ALUMINUM, 28.25" DIA, 30 DEGREES PITCH, 0.50" BORE, CCW, 1 SET SCREW-STEEL, FINISH/PAINT
GRD01440	2	1	GUARD; TROUGH-LEAD
MOT13834	3	1	MOTOR; OUTDOOR, 1/3 HP, 200-230/60/1, 825 RPM, TYPE PSC, CCW, BALL BEARINGS, 10 MFD CPT AT 370V
GRL01530	4	1	GRILL; OUTDOOR FAN, 30.64 IN MOUNTING DIA
SCR02086	5	4	SCREW; 10-32 TR-3 HXW 3/8 S

Controls

75008617

REV
A

Typical illustration. Unit may not appear exactly as shown.



LEGEND	
CC	Compressor Motor Coil
ICMC	Integrated Commuted Motor Control
TNS	Transformer

Parts List Number :75008360#4TCY4UP1

Model Number :4TCY4060A1000BA

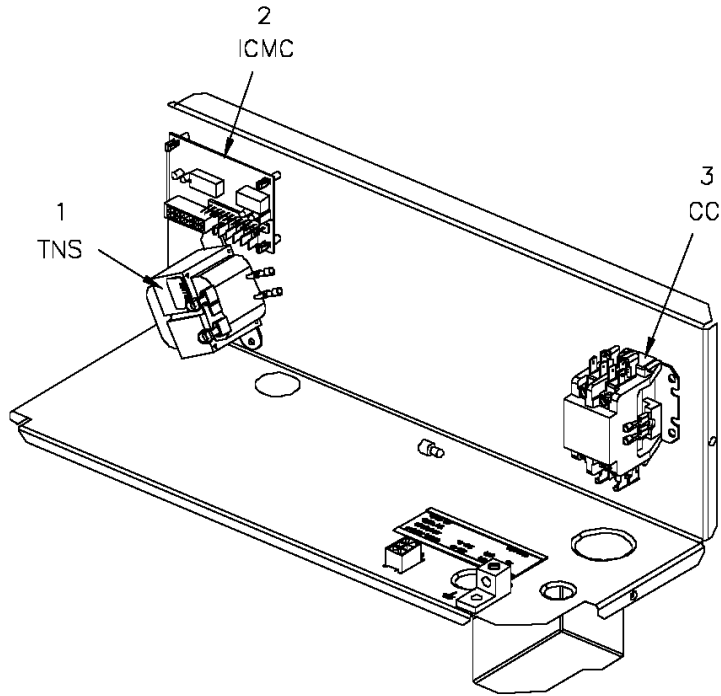
Part No.	Reference No.	Quantity	Description
75008617_4TCY4UP1_188731~P	*		CONTROLS PARTS LIST

Controls

75008617

REV
A

Typical illustration. Unit may not appear exactly as shown.



LEGEND	
CC	Compressor Motor Coil
ICMC	Integrated Commuted Motor Control
TNS	Transformer

CONTROLS PARTS LIST

Parts List Number :75008360#4TCY4UP1

Model Number :4TCY4060A1000BA

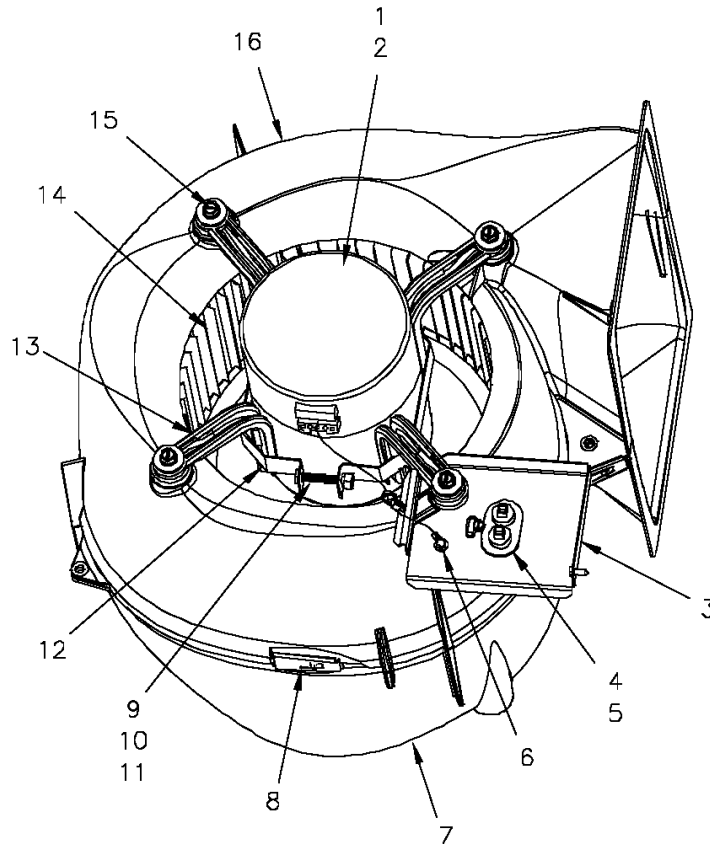
Part No.	Reference No.	Quantity	Description
LUG00014	*	1	LUG, GROUND
TRR01898	1	1	TRANSFORMER; 50VA, 208/240V PRI, 24V SEC
CNT03600	2	1	CONTROL; ICM FAN, PWB, 16 PIN
CTR01333	3	1	CONTACTOR; 2 POLE, NO, 40 FLA AT 240V, 50/60 HZ, 50 RES AMPS, 24V COIL, 40 FLA AT 277/480/600V

Blower

75008695

REV
A

Typical illustration. Unit may not appear exactly as shown.



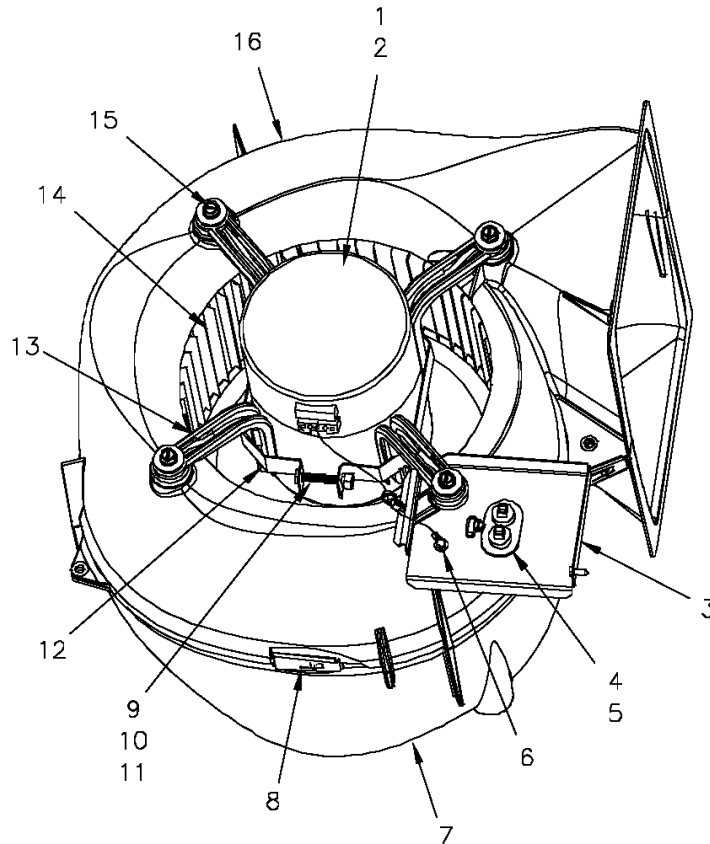
Part No.	Reference No.	Quantity	Description
75008695_4TCY4UP1_338342~P	*		BLOWER PARTS LIST

Blower

75008695

REV
A

Typical illustration. Unit may not appear exactly as shown.



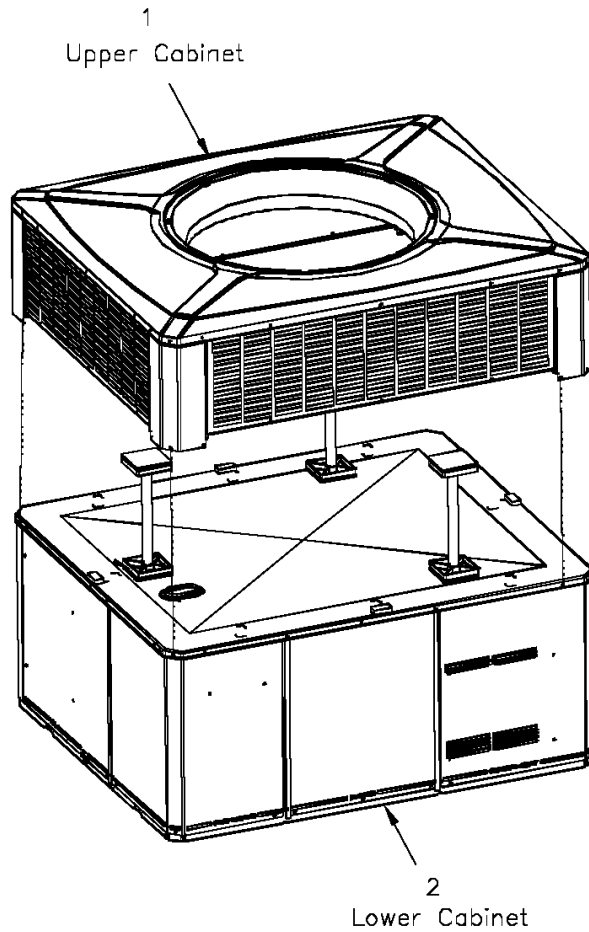
Part No.	Reference No.	Quantity	Description
BLW01008	*	1	BLOWER; ASSEMBLY, COMPLETE
MOT12693	1	1	MOTOR; ECM VS MOTOR MODULE SET; 1 HP; 115/230 VOLTAGE; PROGRAMMED
MOD01579	2	1	MODULE; ELECTRONIC MOTOR CONTROL, VARIABLE SPEED PROGRAMMED
BRK03543	3	1	BRACKET; BLOWER RETAINER, 4.32 X 5.64
CPT00088	4	1	CAPACITOR; RUN, 10 MFD, 440V OVAL, W/O RESISTOR
HUS03825	7	1	HOUSING; BLOWER RIGHT SIDE WITHOUT MOUNTING HOLES, MOLDED GLASS FIBER POLYESTER, COLOR: NATURAL
CLP01088	8	4	CLIP; CLEAT-BLOWER
NUT00487	9	1	NUT; STEEL HEX, 1/4-20
WAS00646	10	1	WASHER; STEEL SPRING LOCK, 1/4 INCH
SCR01584	11	1	BOLT; 1/4-20 MA HX 1.5 S
BND00026	12	1	BAND; MOTOR MOUNT
BRK03396	13	4	BRACKET; ARM-MOTOR
WHL02557	14	1	WHEEL; BLOWER, 53 BLADES, CCW, CONCAVE DISC, 11.75 X 10.62
SCR02112	15	4	SCREW; ASSEMBLY-MOTOR MOUNT
HUS03824	16	1	HOUSING; BLOWER LEFT SIDE WITH 4 MOUNTING HOLES, MOLDED GLASS FIBER POLYESTER, COLOR: NATURAL

Cabinet

75008359

REV
A

Typical illustration. Unit may not appear exactly as shown.



View is determined by facing Appearance Nameplate

Parts List Number :75008360#4TCY4UP1

Model Number :4TCY4060A1000BA

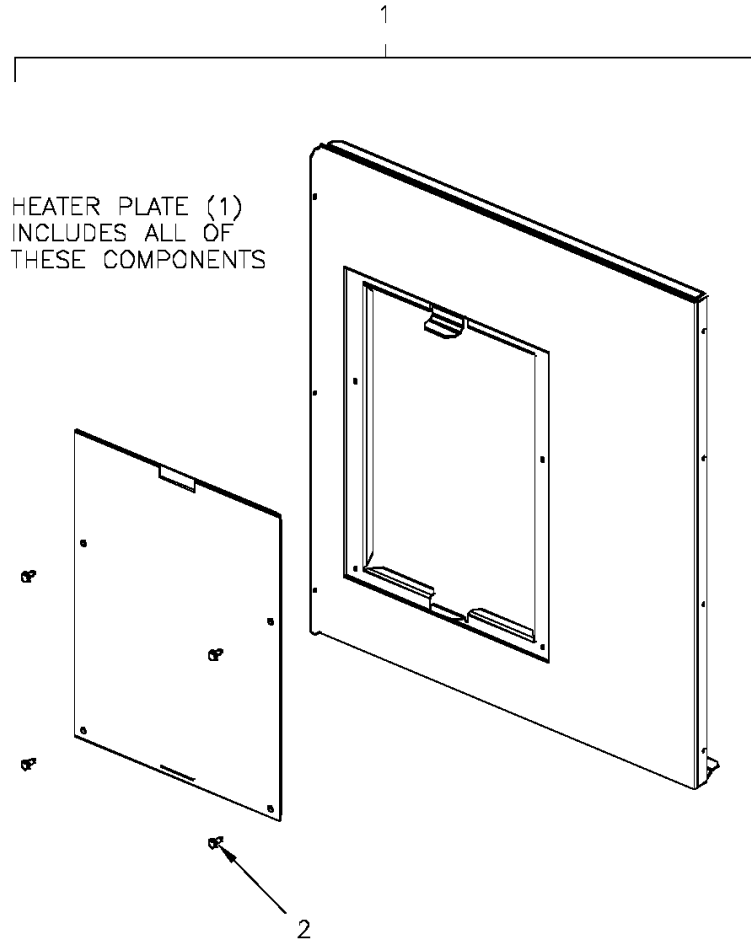
Part No.	Reference No.	Quantity	Description
75008359_4TCY4UP1_188725~P	*		CABINET PARTS LIST
75008355#4TCY4UP1~S	*		ELECTRIC HEATER PLATE
75008380#4TCY4UP1~S	*		LOWER CABINET
75008693#4TCY4UP1~S	*		UPPER CABINET

Electric Heater Plate

75008355

REV
A

Typical illustration. Unit may not appear exactly as shown.



ELECTRIC HEATER PLATE

Parts List Number :75008360#4TCY4UP1

Model Number :4TCY4060A1000BA

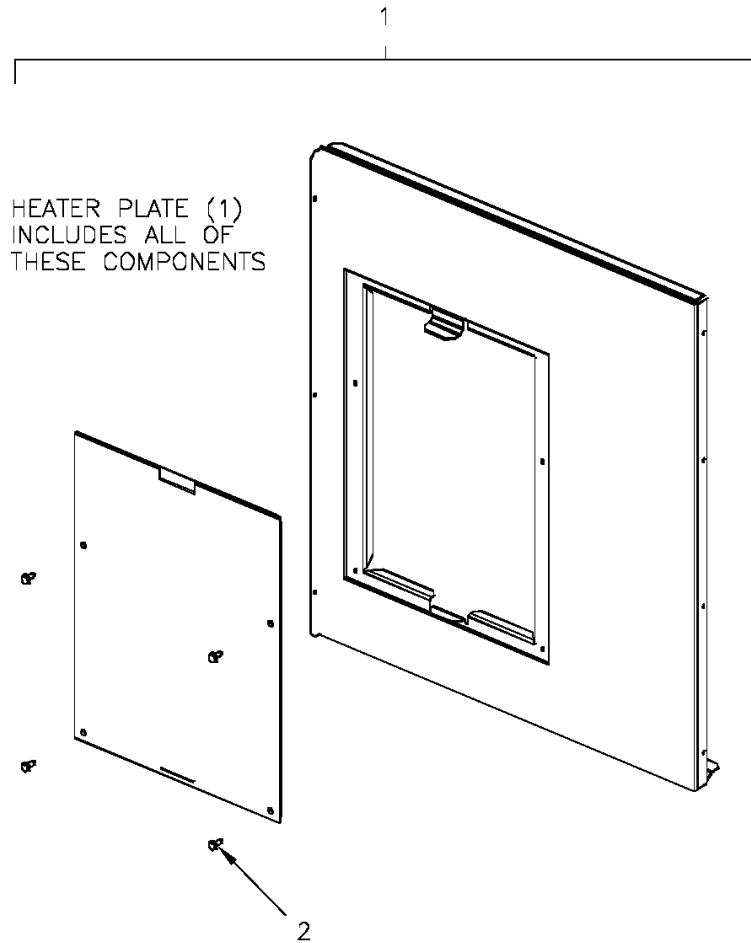
Part No.	Reference No.	Quantity	Description
75008355_4TCY4UP1_188726~P	*		ELECTRIC HEATER PLATE PARTS LIST

Electric Heater Plate

75008355

REV
A

Typical illustration. Unit may not appear exactly as shown.



Part No.	Reference No.	Quantity	Description
PLT04182	1	1	PLATE; ELECTRIC HEATER, 21.15 x 18.30. INCLUDES BARRIER AND PLATE
SCR01510	2	12	SCREW; 10-16 AB HXW 1/2 SN

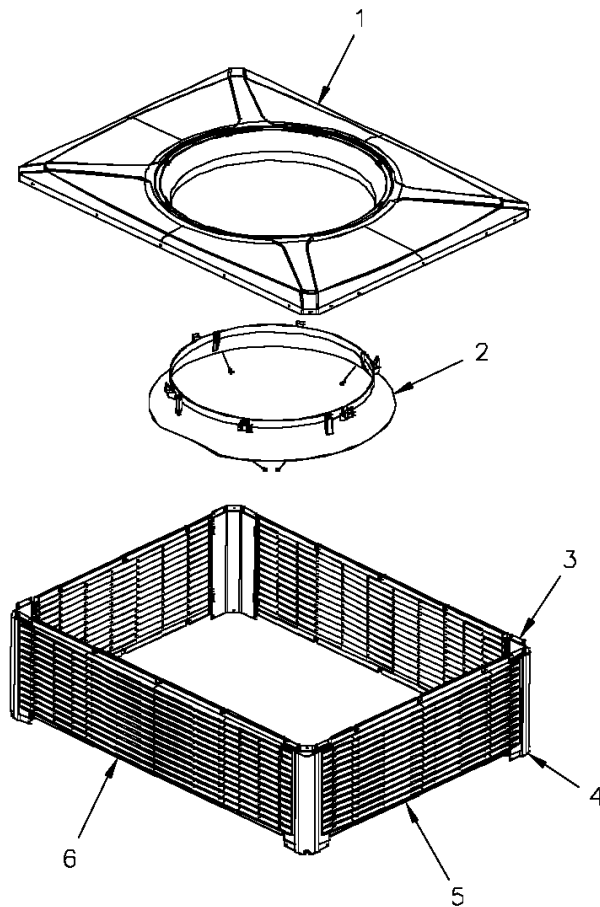
Cabinet

75008693

REV
A

upper

Typical illustration. Unit may not appear exactly as shown.



Parts List Number :75008360#4TCY4UP1

Model Number :4TCY4060A1000BA

Part No.	Reference No.	Quantity	Description
75008693_4TCY4UP1_338339~P	*		UPPER CABINET PARTS LIST

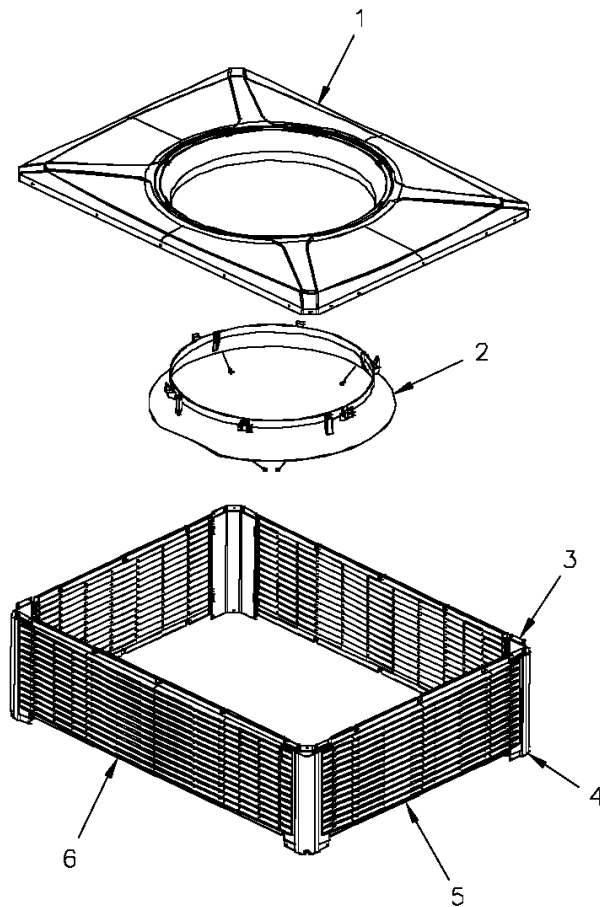
Cabinet

75008693

REV
A

upper

Typical illustration. Unit may not appear exactly as shown.



Part No.	Reference No.	Quantity	Description
SUP05014	*	3	SUPPORT; OD COIL, BOTTOM, 4X4, INCLUDES GASKET
SUP05015	*	3	SUPPORT; OD COIL, TOP, 4X4, INCLUDES GASKET
TUB12257	*	3	TUBE; SUPPORT, TOP PIPE, .75 DIA, SCHEDULE 40 GREY PVC, 18.46 INCHES
COV03695	1	1	COVER; OUTDOOR, TOP, 58.33 X 44.08
ORF01443	2	1	ORIFICE; INLET, 34.12 OUTSIDE DIA, 28.28 INSIDE DIA
PNL22004	3	4	PANEL; CORNER POST, 17.84 H
PNL22192	5	2	PANEL; PLASTIC LOUVER, 53.12 X 17.40 - INCLUDES SPEED NUTS AND MOUNTING BRACKETS.
PNL22188	6	2	PANEL; PLASTIC LOUVER, 38.86 X 17.40 - INCLUDES SPEED NUTS AND MOUNTING BRACKETS.

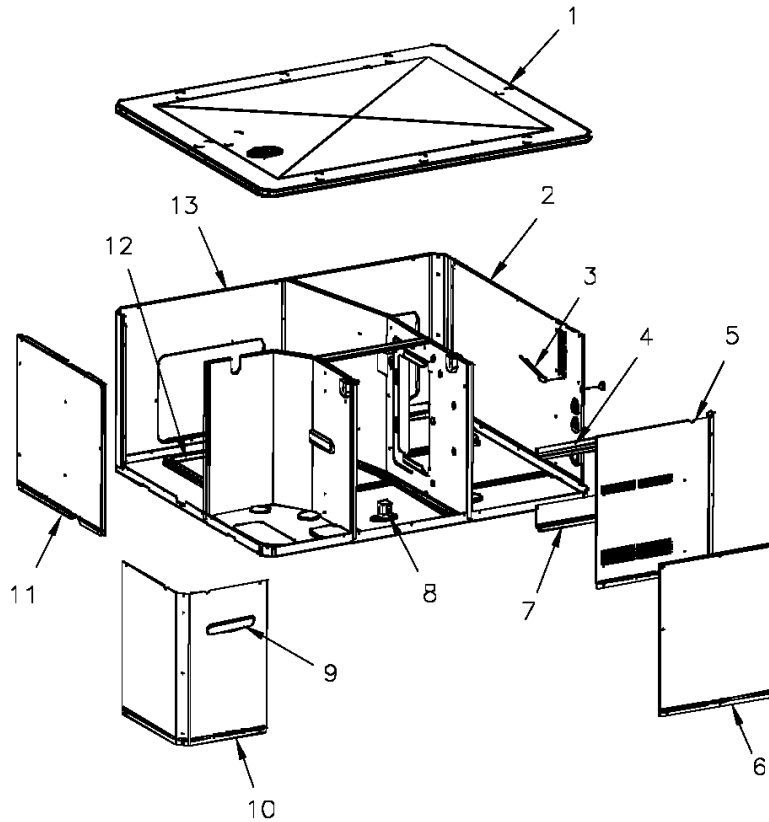
Cabinet

75008380

REV
A

lower

Typical illustration. Unit may not appear exactly as shown.



View is determined by facing Appearance Nameplate

Parts List Number :75008360#4TCY4UP1

Model Number :4TCY4060A1000BA

Part No.	Reference No.	Quantity	Description
75008380_4TCY4UP1_188727~P	*		LOWER CABINET PARTS LIST

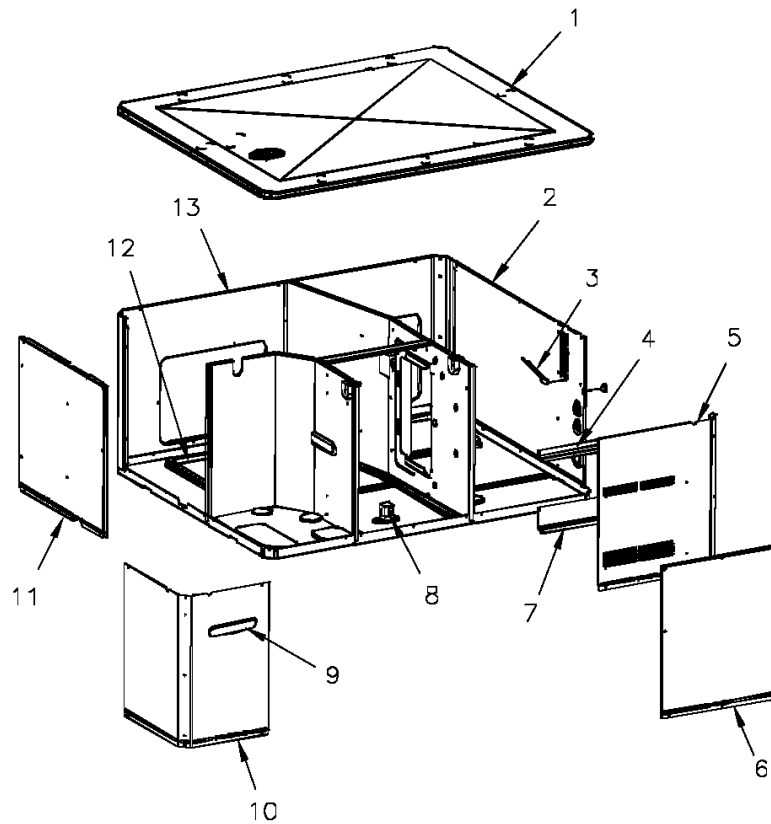
Cabinet

75008380

REV
A

lower

Typical illustration. Unit may not appear exactly as shown.



View is determined by facing Appearance Nameplate

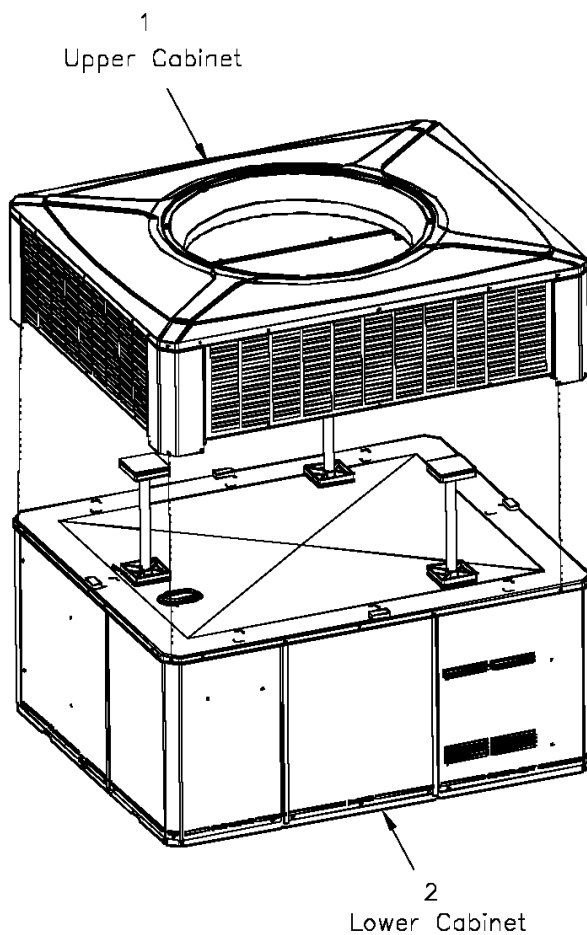
Part No.	Reference No.	Quantity	Description
BAF01378	*	1	BAFFLE; AIR, 16.00 X 8.50
GRM00118	*	1	GROMMET; 3/16 IN ID, NEOPRENE
PNL26625	*	1	PANEL; BLOWER BARRIER, 44.05 X 21.15
PNL28755	*	1	PANEL; COMPRESSOR BARRIER, 27.22 W X 21.15 H
COV03697	1	1	COVER; INDOOR, TOP, 58.33 X 44.08
PNL22037	2	1	PANEL; ELECTRIC HEAT ACCESS, 38.49 X 20.91
SHD00397	3	1	SHIELD; LOUVER, TOP, 5.0 X 1.9
SHD00396	4	1	SHIELD; LOUVER, CONTROL ACCESS PANEL, 12.95 X 1.50
PNL22041	5	1	PANEL; CONTROL/HEAT ACCESS, 17.93 X 20.70
PNL22014	6	1	PANEL; BLOWER ACCESS, 27.36 X 20.70
SHD00395	7	1	SHIELD; LOUVER, CONTROL ACCESS PANEL, 12.95 X 3.40
BRK03544	8	1	BRACKET; BLOWER SUPPORT, U-SHAPED, 3.00 X 2.00 X 2.83
PLT04289	9	1	PLATE; APPEARANCE, TRANE, XL14C, 9.0 X 1.8
PNL21998	10	1	PANEL; COMPRESSOR ACCESS, 20.7 X 12.7 & 20.7 X 15.5
PNL22040	11	1	PANEL; INDOOR COIL ACCESS, 25.42 X 20.70
COV03699	12	2	COVER; SUPPLY AND RETURN, 17.88 X 14.88
PNL22193	13	1	PANEL; SUPPLY AND RETURN, 58.13 X 20.88

Cabinet

75008359

REV
A

Typical illustration. Unit may not appear exactly as shown.

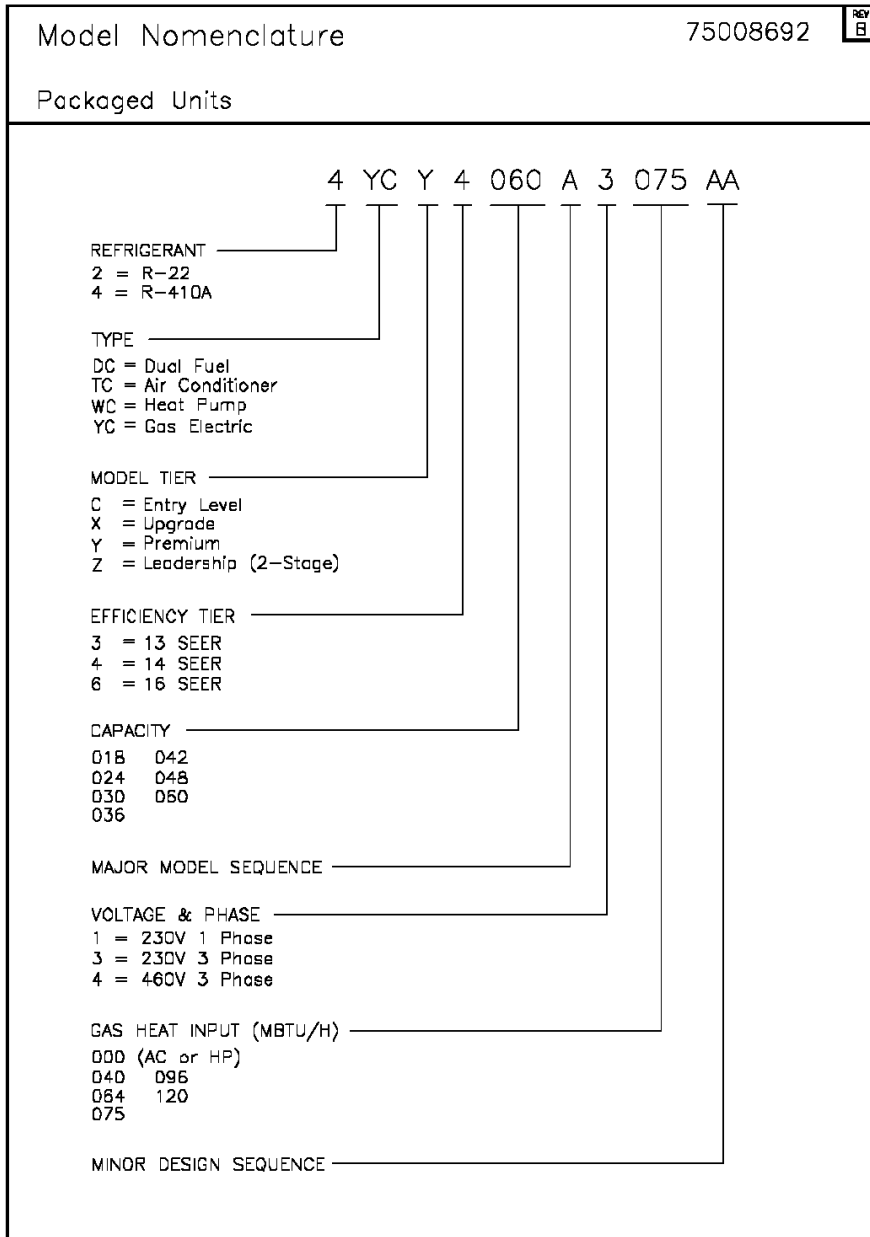


View is determined by facing Appearance Nameplate

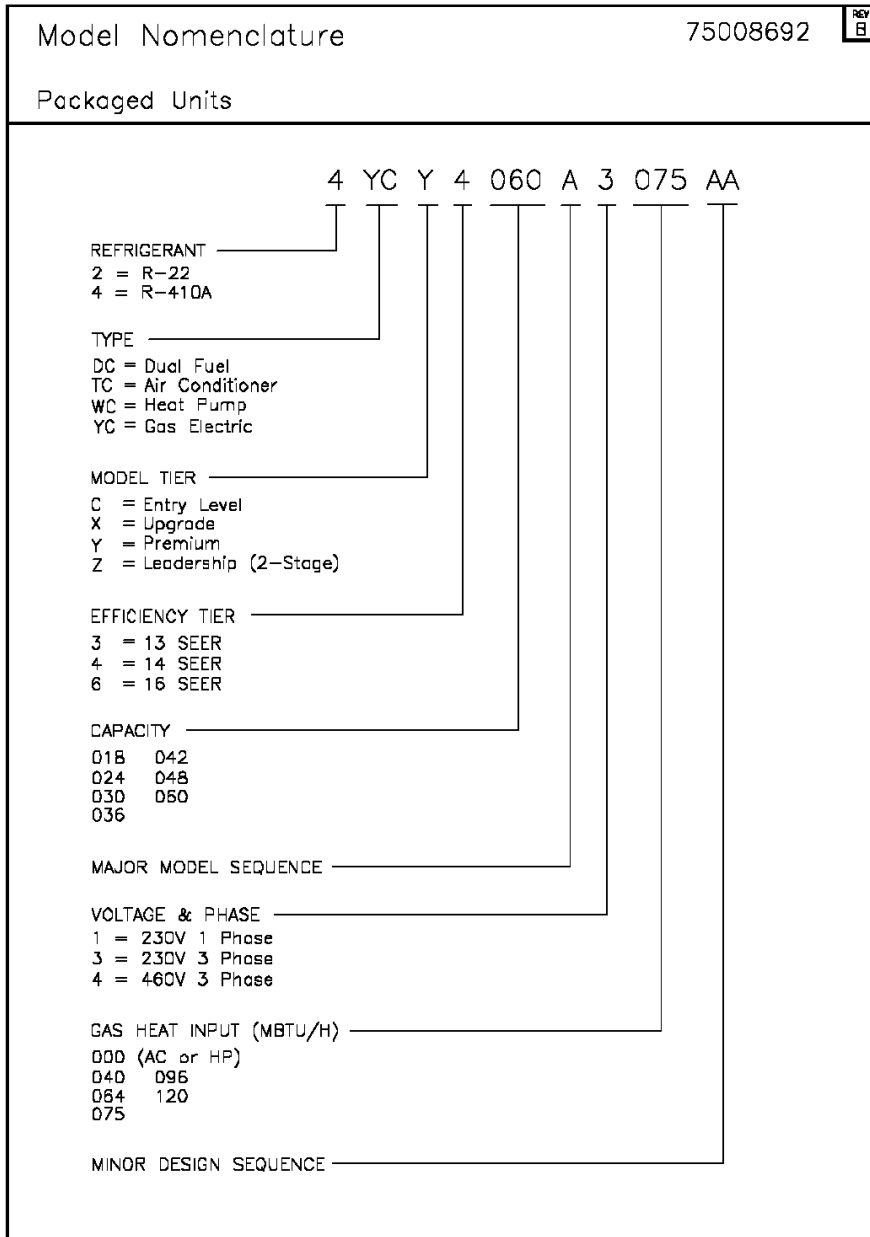
Parts List Number :75008360#4TCY4UP1

Model Number :4TCY4060A1000BA

Part No.	Reference No.	Quantity	Description
PAI00074	*	1	PAINT; SPRAY, SLATE GREY, FULL GLOSS(88) (SHIPPING UOM 12 OZ HAZ)



Part No.	Reference No.	Quantity	Description
75008692_4TCY4UP1_188732~P	*		MODEL NOMENCLATURE PARTS LIST



Parts List Number :75008360#4TCY4UP1

Model Number :4TCY4060A1000BA

Part No.	Reference No.	Quantity	Description
NGRAPHIC_4TCY4UP1_338344~ P	*		OPTIONAL FIELD INSTALLED ACCESSORIES PARTS LIST

NO GRAPHIC AVAILABLE

75013702

REV
A

**NO
GRAPHIC
AVAILABLE**

Parts List Number :75008360#4TCY4UP1

Model Number :4TCY4060A1000BA

Part No.	Reference No.	Quantity	Description
BAYUV102A	*	1	36 WATT UV LIGHT KIT FOR MEDIUM PACKAGED UNITS
ECN00112	*	1	ECONOMIZER; DOWN DISCHARGE, AND RAIN HOOD(BAYECON102AA)
ECN00114	*	1	ECONOMIZER; HORIZONTAL (BAYECON201AA)
HTR08651	*	1	HEATER; ELECTRIC, 3.76/5.0 KW, 208/240/1 (BAYHTRV105EA)
HTR08652	*	1	HEATER; ELECTRIC, 6.0/8.0 KW, 208/240/1 (BAYHTRV108EA)
HTR08653	*	1	HEATER; ELECTRIC, 7.51/10.0 KW, 208/240/1 (BAYHTRV110EA)
HTR08654	*	1	HEATER; ELECTRIC, 11.27/15.0 KW, 208/240/1 (BAYHTRV115EA)
HTR08655	*	1	HEATER; ELECTRIC, 15.02/20.0 KW, 208/240/1 (BAYHTRV120EA)
HTR08656	*	1	HEATER; ELECTRIC, 18.78/25.0 KW, 208/240/1 (BAYHTRV125EA)
KIT03361	*	1	KIT; LIFTING LUGS-BAYLIFT002B (CTN = 6 PIECES)
KIT06658	*	1	KIT; ENTHALPY CONTROL (BAYENTH001AB)
KIT13553	*	1	KIT; CURB ADAPTER (BAYADAP052AA)
KIT13554	*	1	KIT; CURB ADAPTER (BAYADAP053AA)
KIT13555	*	1	KIT; CURB ADAPTER (BAYADAP054AA)
KIT13557	*	1	KIT; CRANKCASE HEATER, 230V SCROLL COMPRESSORS (BAYCCHT102AA) 6.5-7.5 DIA, 60W, 110L
KIT13559	*	1	KIT; 12 INCH DUCT SHROUD COVERS HORIZONTAL (BAYCOVR112AA)
KIT13560	*	1	KIT; 18 INCH DUCT SHROUD COVERS HORIZONTAL (BAYCOVR118AA)
KIT13562	*	1	KIT; FULL PERIMETER ROOF MOUNTING CURB (BAYCURB051AA)
KIT13564	*	1	KIT; OUTSIDE AIR, 2 POS DAMPER (BAYDMPR102AA)
KIT13565	*	1	KIT; EXTREME CURB MOUNTING (BAYEXMK001AA)
KIT13567	*	1	KIT; EXTREME CURB MOUNTING (BAYEXMK003AA)
KIT13572	*	1	KIT; OUTSIDE AIR, MANUAL DAMPER (BAYOSAH002AA)
KIT13573	*	1	KIT; QUICK START (BAYQSTK300AA)
KIT13576	*	1	KIT; SQUARE/ROUND DUCT ADAPTER (BAYSQRD002AA)
KIT13640	*	1	KIT; LOW AMBIENT COOLING, HEAD PRESSURE CONTROL (BAYLOAM105AA)
KIT15097	*	1	KIT; FILTER FRAME (BAYFLTR201BA). USE (1) 20 X 20, PLUS (1) 20 X 18 FILTER - NOT INCLUDED.
KIT15142	*	1	KIT; ACCESS DOOR, 3-1/2 TO 5 TON MODELS (BAYACCDOR2AA)
KIT15323	*	1	KIT; EXTREME CURB MOUNTING (BAYEXMK002BA)
KIT15326	*	1	KIT; ROOF CURB UTILITY EXTENSION KIT (BAYUTIL102BA)
KIT15404	*	1	KIT; ECONOMIZER, HINGED FILTER ACCESS DOOR AND FILTER FRAME (BAYECONCOMB102A)
KIT16162	*	1	KIT; SINGLE POWER ENTRY (BAYSPEK062F)
KIT16163	*	1	KIT; SINGLE POWER ENTRY (BAYSPEK063F)
RLY01652	*	1	RELAY; KIT (BAYRLAY004AA)
THT00839	*	1	THERMOSTAT; REMOTE POTENTIOMETER, 60-90 DEG F (BAYSTAT023AA)