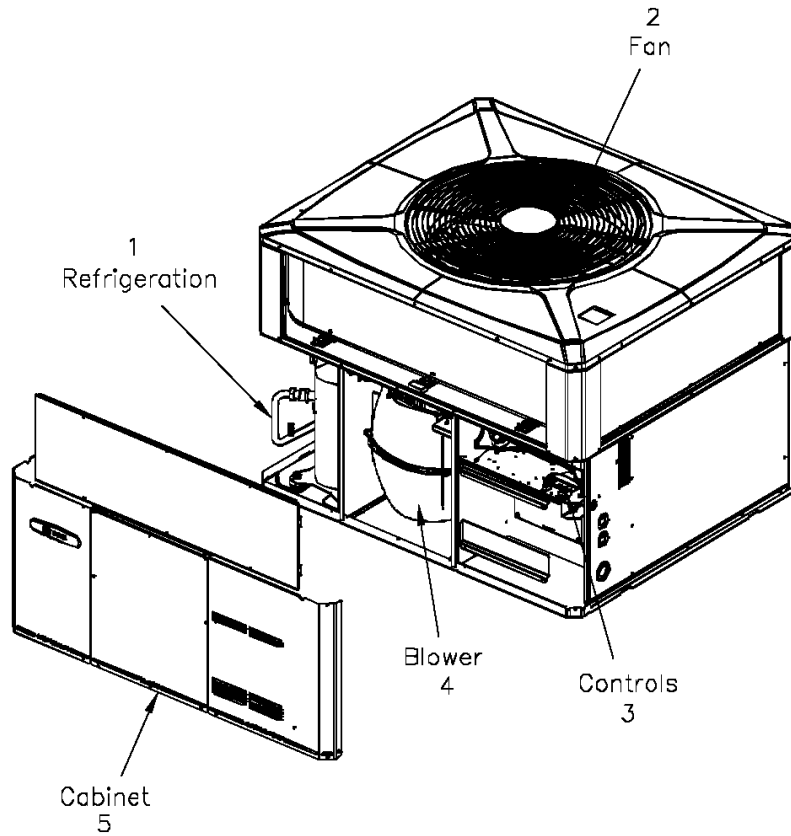


General Assembly

75008360

REV  
A

Typical illustration. Unit may not appear exactly as shown.



View is determined by facing Appearance Nameplate

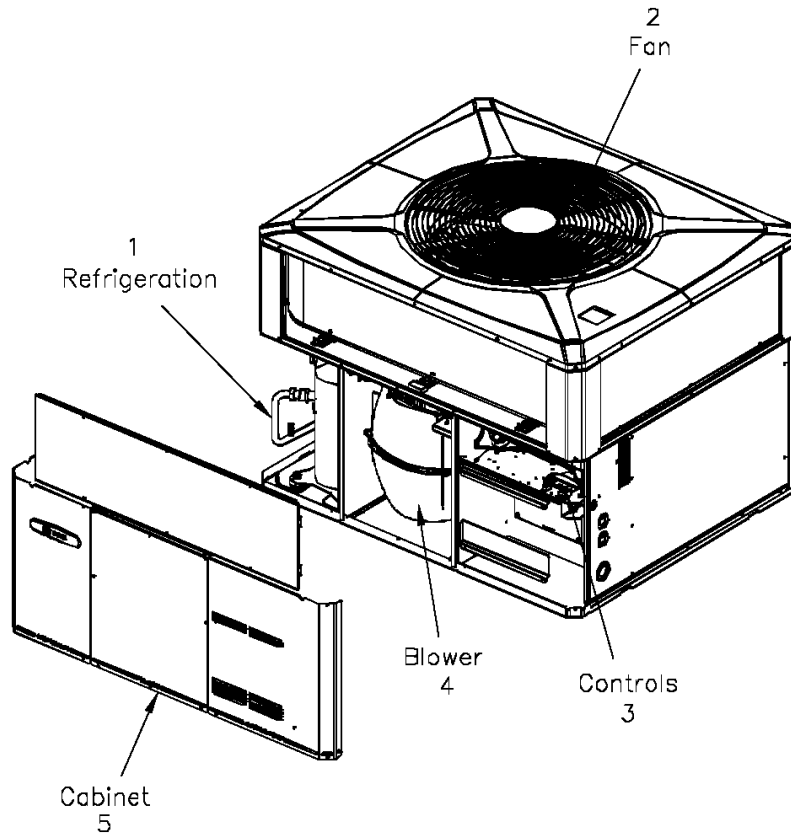
<b>Part No.</b>	<b>Reference No.</b>	<b>Quantity</b>	<b>Description</b>
75008360_4TCY4UP1_188723~P	*		4TCY4UP1 PARTS LIST
75008695#4TCY4UP1~S	*		BLOWER
75008359#4TCY4UP1~S	*		CABINET
75008616#4TCY4UP1~S	*		CONTROLS
75005599#4TCY4UP1~S	*		FAN
75008692#4TCY4UP1~S	*		MODEL NOMENCLATURE
NGRAPHIC#4TCY4UP1~S	*		OPTIONAL FIELD INSTALLED ACCESSORIES
75008421#4TCY4UP1~S	*		REFRIGERATION

General Assembly

75008360

REV  
A

Typical illustration. Unit may not appear exactly as shown.



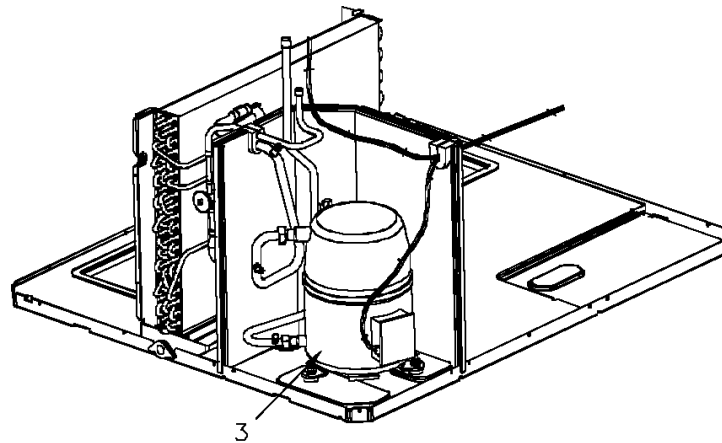
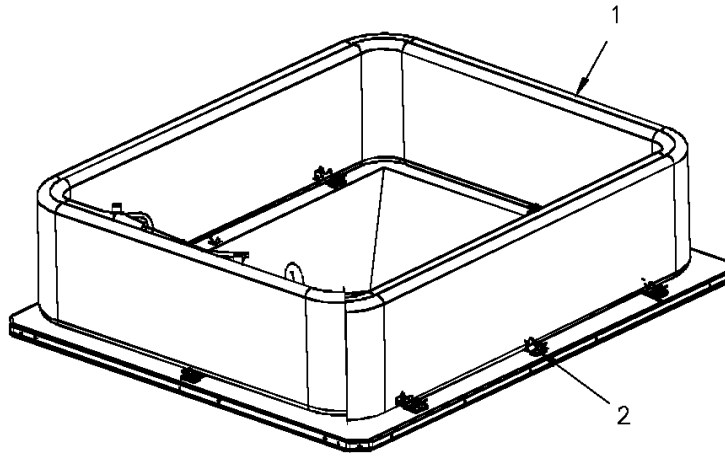
View is determined by facing Appearance Nameplate

Refrigeration

75008421

REV  
A

Typical illustration. Unit may not appear exactly as shown.



Enlarged View

Parts List Number :75008360#4TCY4UP1

Model Number :4TCY4024A1000BA

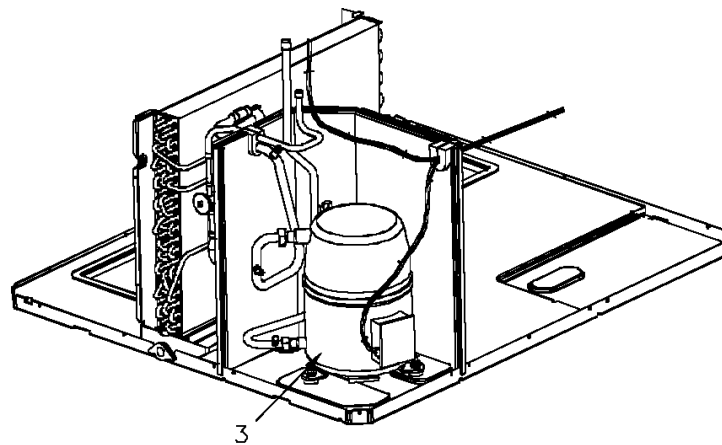
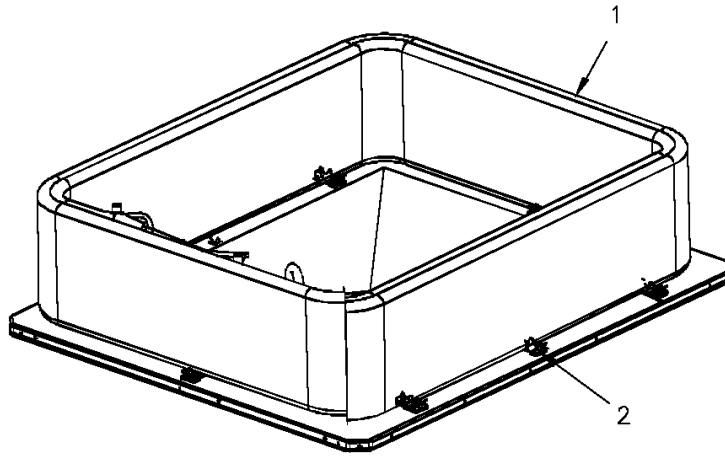
<b>Part No.</b>	<b>Reference No.</b>	<b>Quantity</b>	<b>Description</b>
75009730#4TCY4UP1~S	*		ENLARGED VIEW
75008421_4TCY4UP1_371342~P	*		REFRIGERATION PARTS LIST

Refrigeration

75008421

REV  
A

Typical illustration. Unit may not appear exactly as shown.



3  
Enlarged View

## REFRIGERATION PARTS LIST

Parts List Number :75008360#4TCY4UP1

Model Number :4TCY4024A1000BA

Part No.	Reference No.	Quantity	Description
DHY01456	*	1	DRIER; LIQUID LINE; SERVICE FIRST; 5 CU. IN.; DCL054/3S, 1/2 ODF INLET X 3/8 ODF OUTLET; 5.4 TON CAPACITY; APPROVED FOR MINERAL OIL AND POE OIL REFRIG
COL19218	1	1	COIL; OUTDOOR, SPINE FIN
SPC00391	2	8	SPACER; OUTDOOR COIL, 2.50 X 1.31. INCLUDES GASKET.

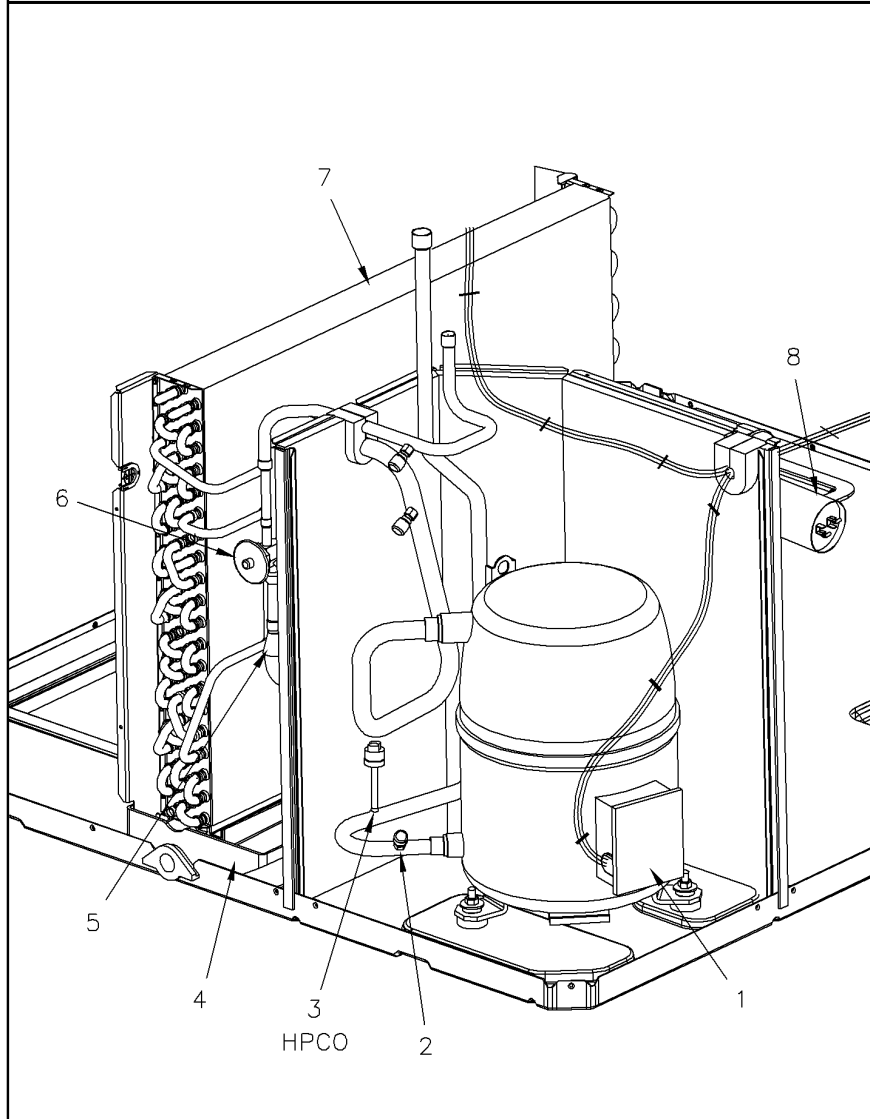
Refrigeration

75009730

REV  
A

enlarged view

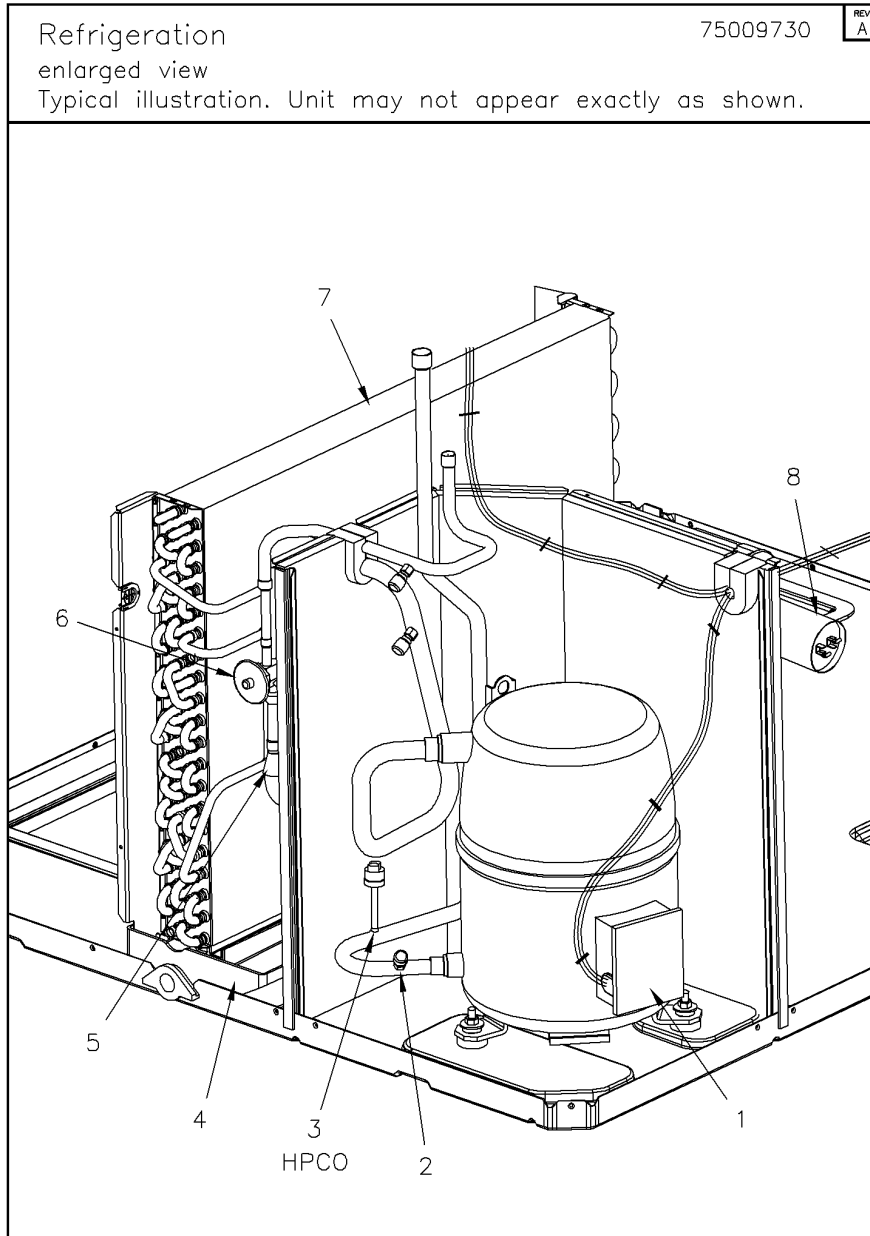
Typical illustration. Unit may not appear exactly as shown.



Parts List Number :75008360#4TCY4UP1

Model Number :4TCY4024A1000BA

Part No.	Reference No.	Quantity	Description
75009730_4TCY4UP1_371343~P	*		ENLARGED VIEW PARTS LIST



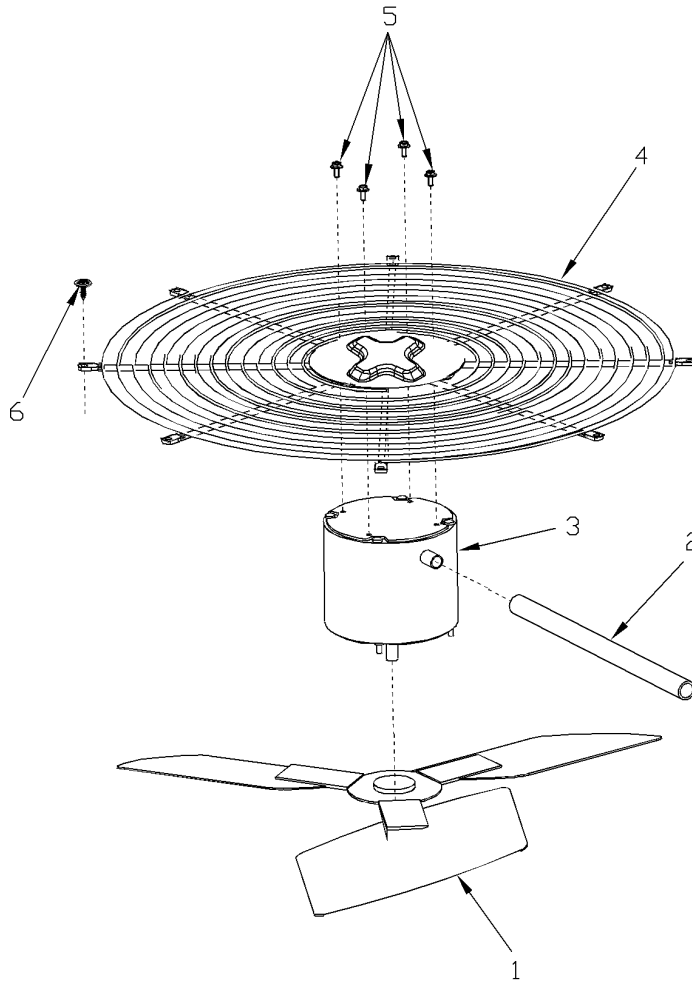
Part No.	Reference No.	Quantity	Description
BLT00809	*	3	BOLT; CARRIAGE, 5/16-18 X 1-3/4
BOD00114	*	3	BODY; VALVE, BRASS, 7/16 HEX, 7/16 -20 UNF-2A
GKT01820	*	3	GASKET; 3/4 OD X 7/16 ID X .06 THK
MNT00479	*	3	MOUNT; VIBRATION ISOLATOR, COMPRESSOR
NUT00355	*	3	NUT; HEX, LOCK, 5/16IN.-18
WAS00638	*	3	WASHER; FLAT, 5/16 INCH
WIR04497	*	1	WIRE; HARNESS, RECIP COMPRESSOR
COM10346	1	1	COMPRESSOR; RECIP, DP19A-YZ1-JB, 1.7 TON, 200-230/60/1, R410A, BRAZED-STUB TUBE
CAP00455	2	3	CAP; HUB, 7/16-20 STRAIGHT
COR00103	2	3	CORE; VALVE, .79 LENGTH, .206-36 UNS-1 MOD. THD
SWT03696	3	1	SWITCH; HIGH PRESSURE, SPST, OPEN @ 650 PSIG, CLOSE @ 500 PSIG, 74" LEADS
PAN02888	4	1	PAN; DRAIN, BLACK PVC, 29.58 X 7.75
DST00893	5	1	DISTRIBUTOR; 3 OUTLETS, 19 ODS, .50 ODM INLET, BRASS
TUB11598	5	1	TUBE; ASSEMBLY, INDOOR DISTRIBUTOR
TUB11660	6	1	TUBE; ASSEMBLY, INDOOR FLOW CONTROL, R410A
VAL08719	6	1	VALVE; EXPANSION, 3 TON, 3/8 IN INLET X 1/2 IN OUTLET, 89/85 PSIG, R410A, BRAZED CONNECTIONS
COL13536	7	1	COIL; INDOOR, FLAT FIN
CPT00977	8	1	CAPACITOR; DUAL, 35/5 MFD, 440V, ROUND, W/O RESISTOR

FAN

75005599

REV  
A

Typical Illustration. Unit may not appear exactly as shown.



Parts List Number :75008360#4TCY4UP1

Model Number :4TCY4024A1000BA

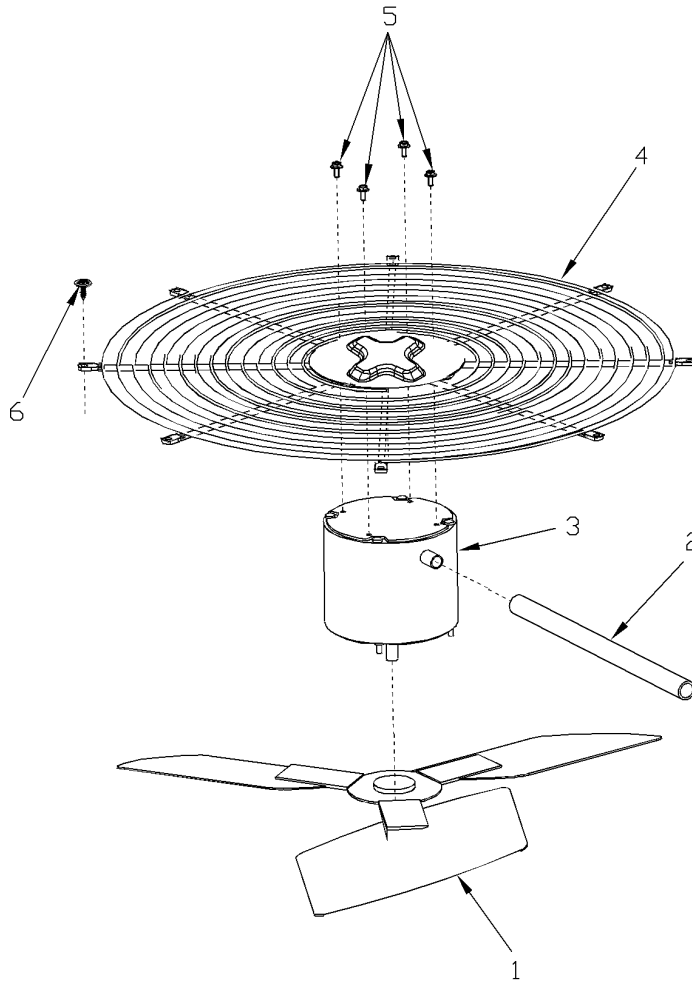
Part No.	Reference No.	Quantity	Description
75005599_4TCY4UP1_371341~P	*		FAN PARTS LIST

FAN

75005599

REV  
A

Typical Illustration. Unit may not appear exactly as shown.



Parts List Number :75008360#4TCY4UP1

Model Number :4TCY4024A1000BA

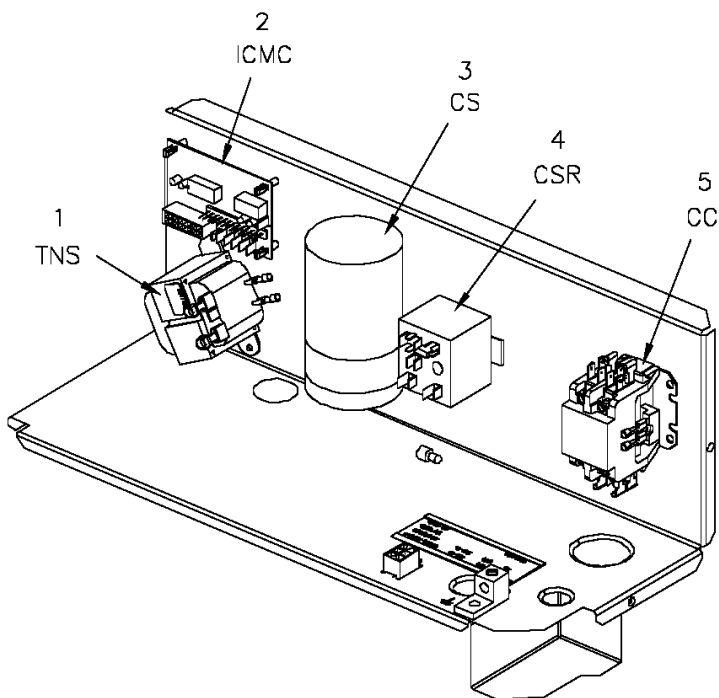
Part No.	Reference No.	Quantity	Description
FAN03780	1	1	FAN; SWEPT BLADE, 2 BLADE, ALUMINUM, 23.4" DIA, 21 DEGREES PITCH, .50" BORE, CCW, 1 SET SCREW-STEEL, FINISH/PAINT
GRD01663	2	1	GUARD; FAN, 24 IN.(WITH LONG HOOKS FOR MOTOR MOUNTING)
MOT13831	3	1	MOTOR; OUTDOOR, 1/12 HP, 200-230/60/1, 810 RPM, TYPE PSC, CCW, SLEEVE BEARINGS, 5 MFD CPT AT 370V
GRL01529	4	1	GRILL; OUTDOOR FAN, 26.0 IN MOUNTING DIA
SCR02086	5	4	SCREW; 10-32 TR-3 HXW 3/8 S

Controls

75008616

REV  
A

Typical illustration. Unit may not appear exactly as shown.



LEGEND

CC	Compressor Motor Coil
CS	Compressor Start Capacitor
CSR	Compressor Start Relay Coil
ICMC	Integrated Commuted Motor Control
TNS	Transformer

Parts List Number :75008360#4TCY4UP1

Model Number :4TCY4024A1000BA

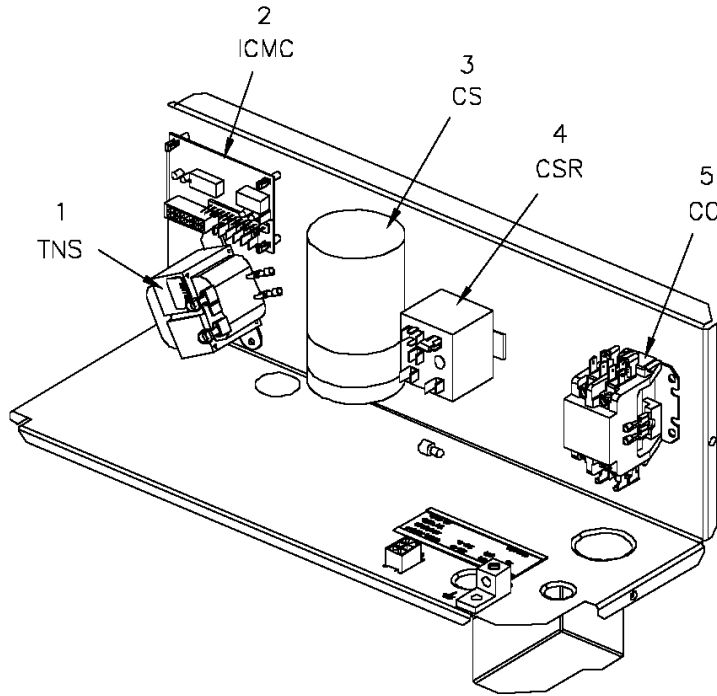
Part No.	Reference No.	Quantity	Description
75008616_4TCY4UP1_371344~P	*		CONTROLS PARTS LIST

Controls

75008616

REV  
A

Typical illustration. Unit may not appear exactly as shown.



LEGEND

CC	Compressor Motor Coil
CS	Compressor Start Capacitor
CSR	Compressor Start Relay Coil
ICMC	Integrated Commutated Motor Control
TNS	Transformer

## CONTROLS PARTS LIST

Parts List Number :75008360#4TCY4UP1

Model Number :4TCY4024A1000BA

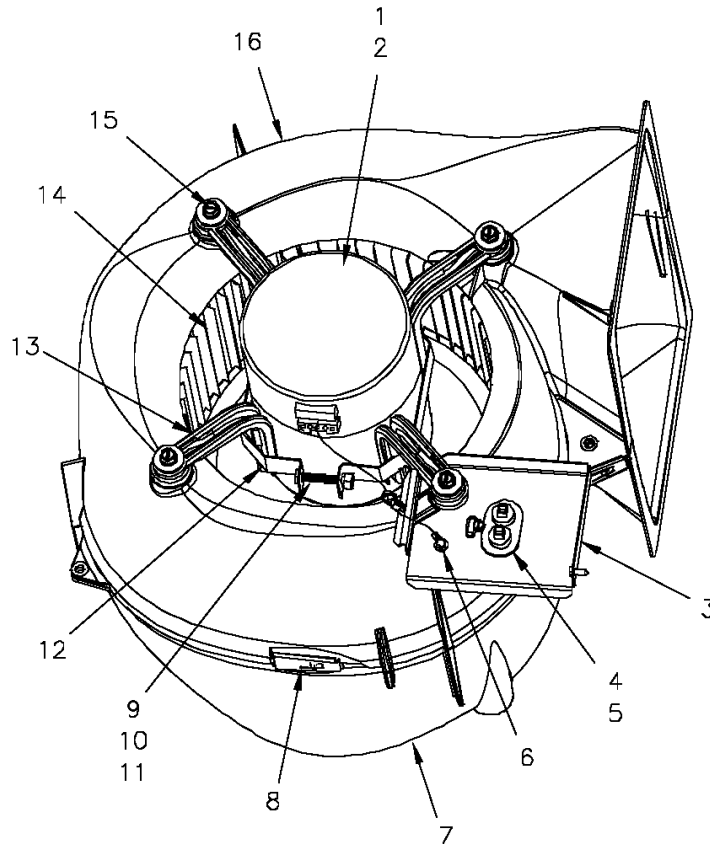
Part No.	Reference No.	Quantity	Description
LUG00014	*	1	LUG, GROUND
WIR04490	*	1	WIRE; HARNESS, START KIT
TRR01898	1	1	TRANSFORMER; 50VA, 208/240V PRI, 24V SEC
CNT03600	2	1	CONTROL; ICM FAN, PWB, 16 PIN
CPT00091	3	1	CAPACITOR; START, 135-155 MFD, 330V, ROUND, W/ RESISTOR
RLY03043	4	1	RELAY; START, SPST, 50A COIL, 204V PICK UP, 150V DROP OUT
CTR01333	5	1	CONTACTOR; 2 POLE, NO, 40 FLA AT 240V, 50/60 HZ, 50 RES AMPS, 24V COIL, 40 FLA AT 277/480/600V

Blower

75008695

REV  
A

Typical illustration. Unit may not appear exactly as shown.



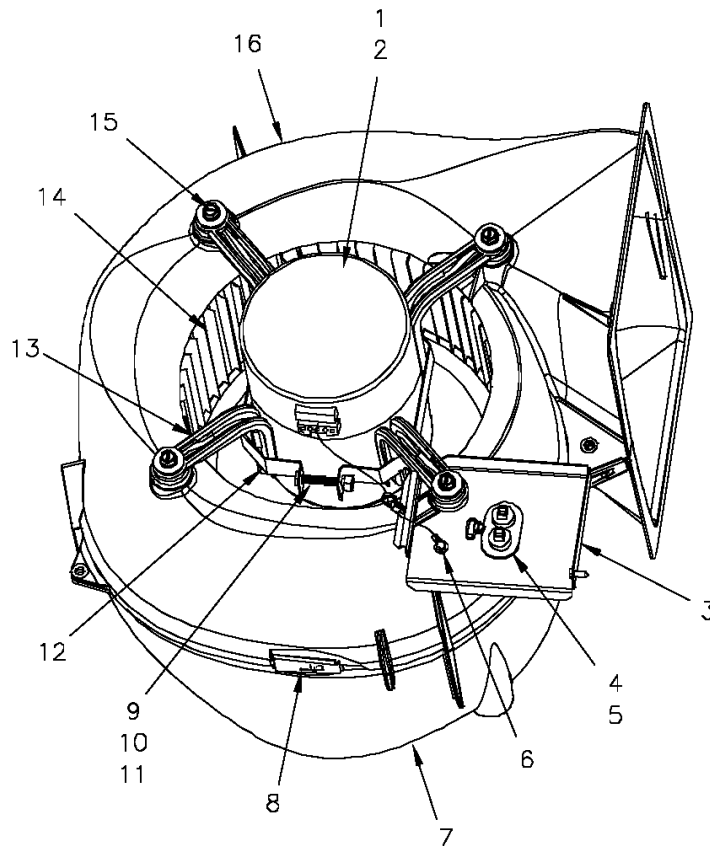
Part No.	Reference No.	Quantity	Description
75008695_4TCY4UP1_371345~P	*		BLOWER PARTS LIST

Blower

75008695

REV  
A

Typical illustration. Unit may not appear exactly as shown.



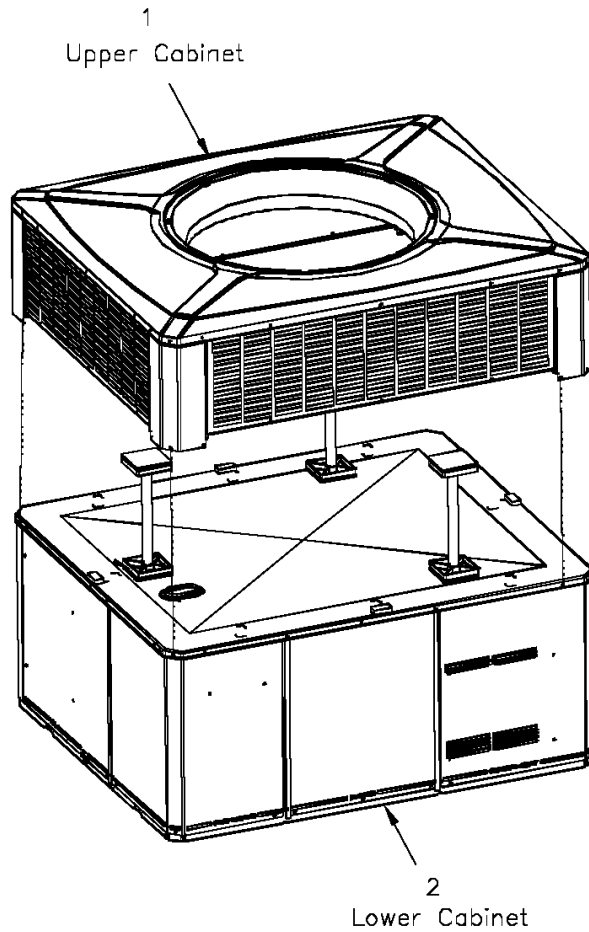
Part No.	Reference No.	Quantity	Description
BLW01001	*	1	BLOWER; ASSEMBLY, COMPLETE
MOT12530	1	1	MOTOR; ECM VS MOTOR MODULE SET; 1/2 HP; 115/230 VOLTAGE; PROGRAMMED
MOD01565	2	1	MODULE; ELECTRONIC MOTOR CONTROL, VARIABLE SPEED PROGRAMMED
BRK03542	3	1	BRACKET; BLOWER RETAINER, 4.32 X 3.45
CPT00977	4	1	CAPACITOR; DUAL, 35/5 MFD, 440V, ROUND, W/O RESISTOR
SCR00998	5	1	SCREW; 10-16 B HXW 1/2 S
SCR00968	6	1	SCREW; 10-16 HEX WASHER, TYPE B, THREAD FORMING SCREW, 0.31 THREAD LENGTH, STEEL W/ZINC FINISH
HUS03805	7	1	HOUSING; BLOWER RIGHT SIDE WITHOUT MOUNTING HOLES, MOLDED GLASS FIBER POLYESTER, COLOR: NATURAL
CLP01088	8	4	CLIP; CLEAT-BLOWER
NUT00487	9	1	NUT; STEEL HEX, 1/4-20
WAS00646	10	1	WASHER; STEEL SPRING LOCK, 1/4 INCH
SCR01584	11	1	BOLT; 1/4-20 MA HX 1.5 S
BND00026	12	1	BAND; MOTOR MOUNT
BRK03396	13	4	BRACKET; ARM-MOTOR
WHL02558	14	1	WHEEL; BLOWER, 48 BLADES, CCW, CONCAVE DISC, 10.62 X 10.68
SCR02112	15	4	SCREW; ASSEMBLY-MOTOR MOUNT
HUS03804	16	1	HOUSING; BLOWER LEFT SIDE WITH 4 MOUNTING HOLES, MOLDED GLASS FIBER POLYESTER, COLOR: NATURAL

Cabinet

75008359

REV  
A

Typical illustration. Unit may not appear exactly as shown.



View is determined by facing Appearance Nameplate

Parts List Number :75008360#4TCY4UP1

Model Number :4TCY4024A1000BA

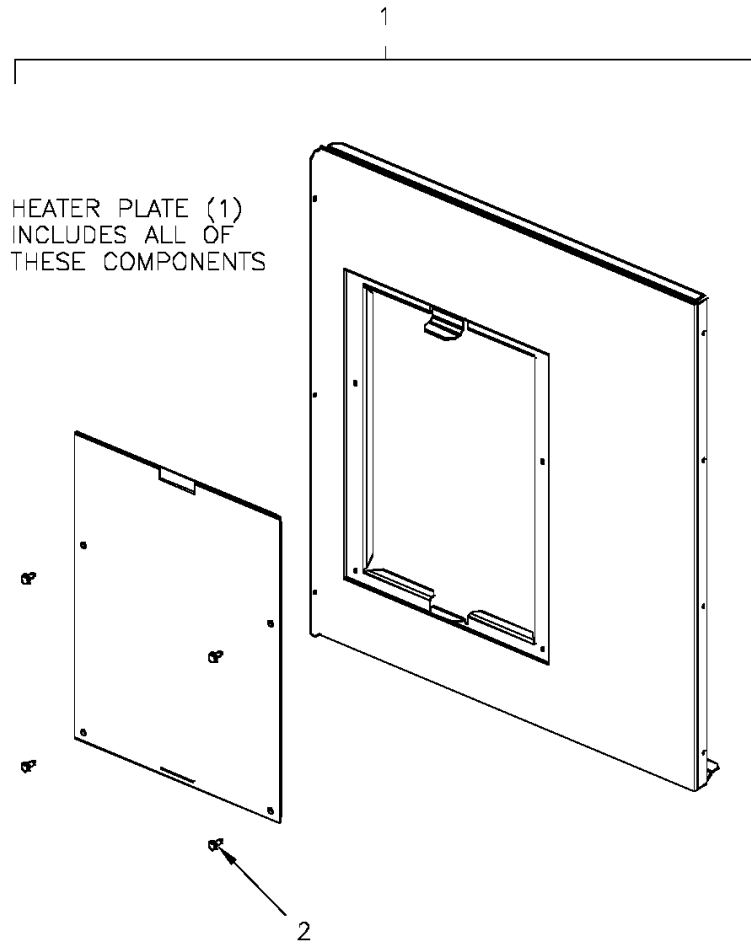
<b>Part No.</b>	<b>Reference No.</b>	<b>Quantity</b>	<b>Description</b>
75008359_4TCY4UP1_188725~P	*		CABINET PARTS LIST
75008355#4TCY4UP1~S	*		ELECTRIC HEATER PLATE
75008380#4TCY4UP1~S	*		LOWER CABINET
75008381#4TCY4UP1~S	*		UPPER CABINET

Electric Heater Plate

75008355

REV  
A

Typical illustration. Unit may not appear exactly as shown.



ELECTRIC HEATER PLATE

Parts List Number :75008360#4TCY4UP1

Model Number :4TCY4024A1000BA

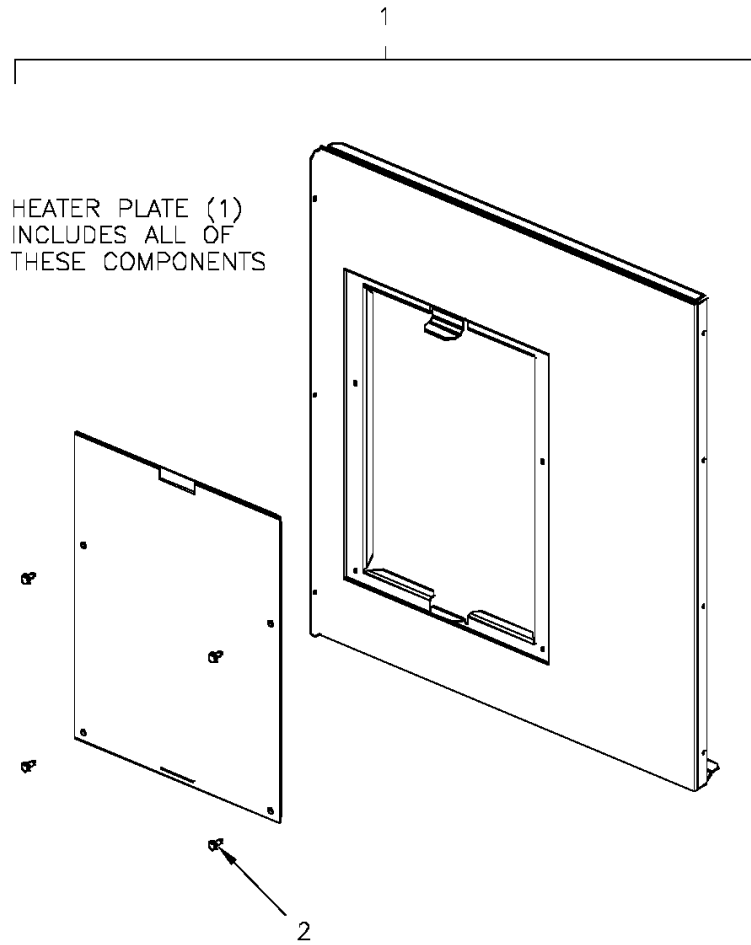
Part No.	Reference No.	Quantity	Description
75008355_4TCY4UP1_188726~P	*		ELECTRIC HEATER PLATE PARTS LIST

Electric Heater Plate

75008355

REV  
A

Typical illustration. Unit may not appear exactly as shown.



<b>Part No.</b>	<b>Reference No.</b>	<b>Quantity</b>	<b>Description</b>
PLT04182	1	1	PLATE; ELECTRIC HEATER, 21.15 x 18.30. INCLUDES BARRIER AND PLATE
SCR01510	2	12	SCREW; 10-16 AB HXW 1/2 SN

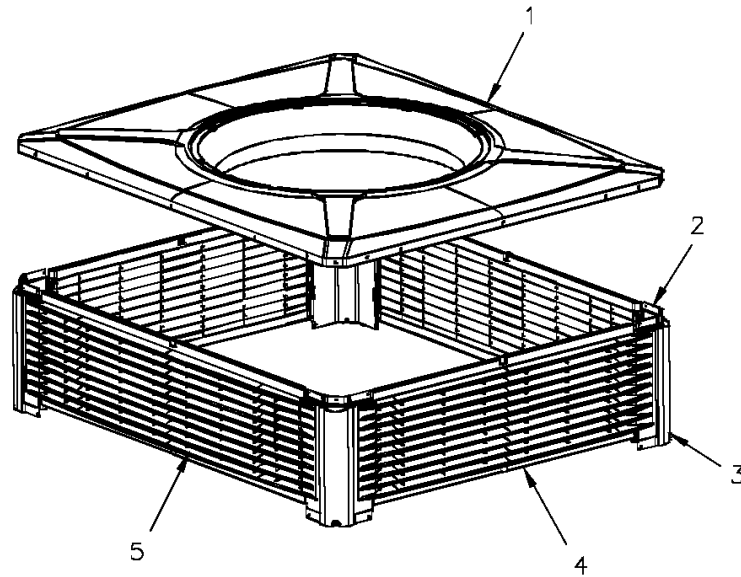
Cabinet

75008361

REV  
A

upper

Typical illustration. Unit may not appear exactly as shown.



Parts List Number :75008360#4TCY4UP1

Model Number :4TCY4024A1000BA

Part No.	Reference No.	Quantity	Description
75008381_4TCY4UP1_270098~P	*		UPPER CABINET PARTS LIST

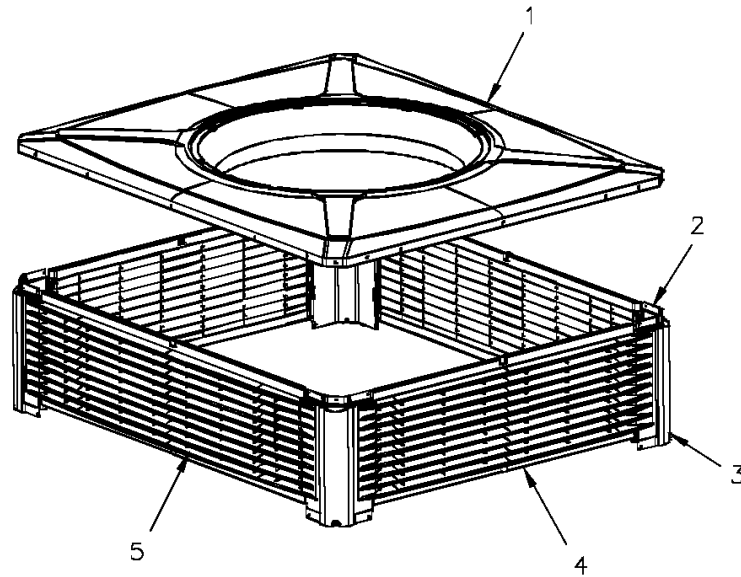
Cabinet

75008361

REV  
A

upper

Typical illustration. Unit may not appear exactly as shown.



Part No.	Reference No.	Quantity	Description
SUP05014	*	3	SUPPORT; OD COIL, BOTTOM, 4X4, INCLUDES GASKET
SUP05015	*	3	SUPPORT; OD COIL, TOP, 4X4, INCLUDES GASKET
TUB12006	*	3	TUBE; SUPPORT, TOP PIPE, .75 DIA, SCHEDULE 40 GREY PVC, 12.46 INCHES
COV03694	1	1	COVER; OUTDOOR, TOP, 48.61 X 41.08
PNL22001	2	4	PANEL; CORNER POST, 11.84 H
PNL22189	4	2	PANEL; PLASTIC LOUVER, 43.40 X 11.40 - INCLUDES SPEED NUTS AND MOUNTING BRACKETS.
PNL22185	5	2	PANEL; PLASTIC LOUVER, 35.86 X 11.40 - INCLUDES SPEED NUTS AND MOUNTING BRACKETS.

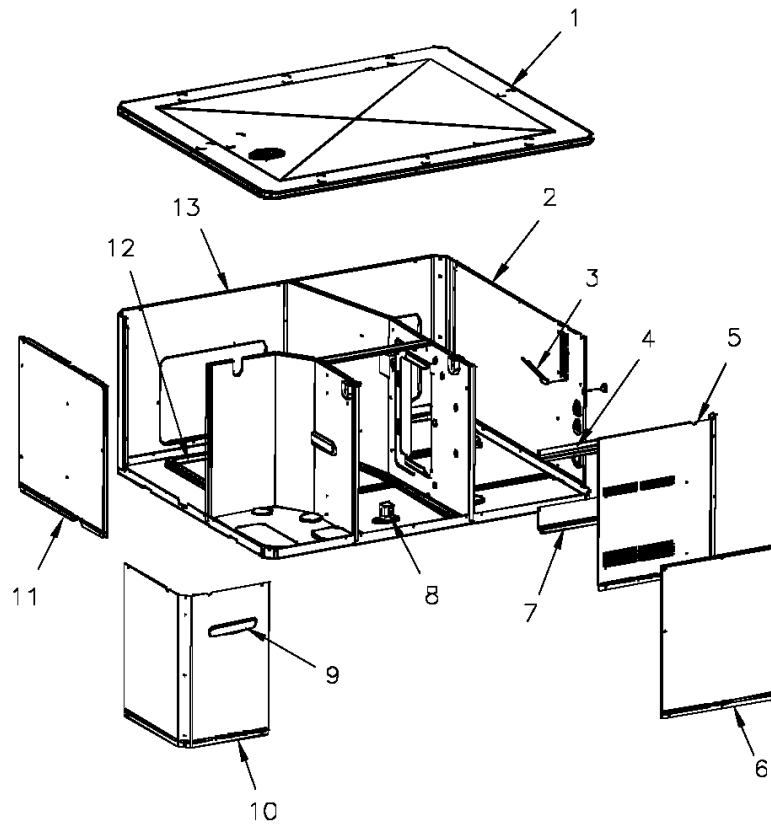
Cabinet

75008380

REV  
A

lower

Typical illustration. Unit may not appear exactly as shown.



View is determined by facing Appearance Nameplate

Parts List Number :75008360#4TCY4UP1

Model Number :4TCY4024A1000BA

Part No.	Reference No.	Quantity	Description
75008380_4TCY4UP1_270097~P	*		LOWER CABINET PARTS LIST

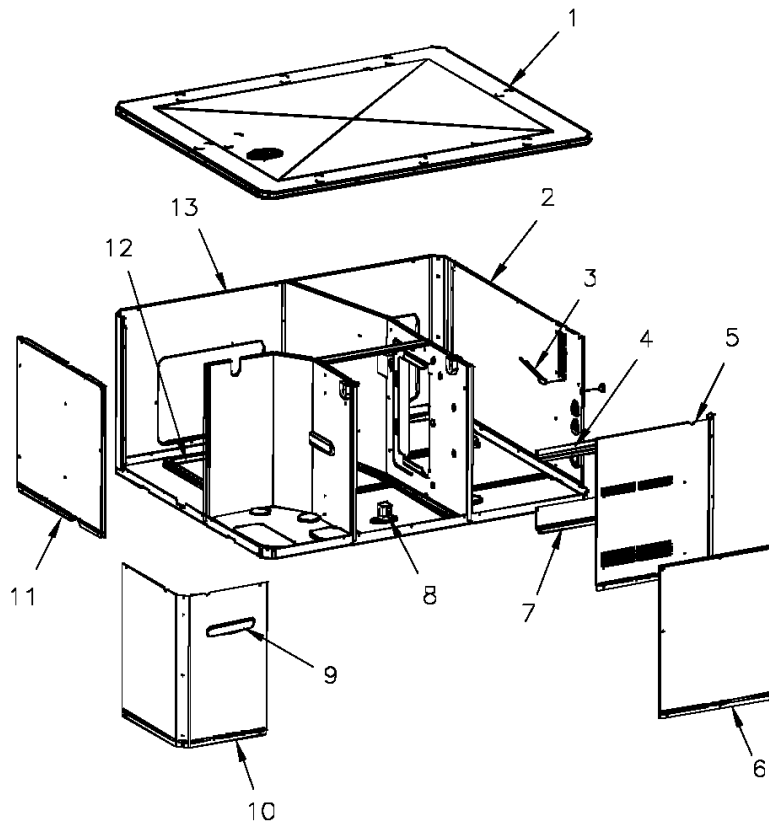
Cabinet

75008380

REV  
A

lower

Typical illustration. Unit may not appear exactly as shown.



View is determined by facing Appearance Nameplate

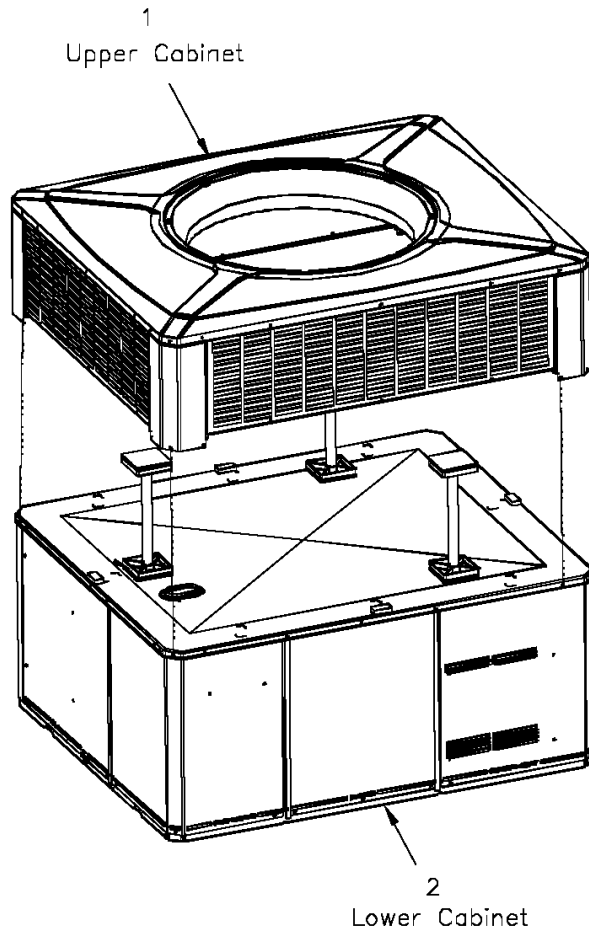
Part No.	Reference No.	Quantity	Description
BAF01378	*	1	BAFFLE; AIR, 16.00 X 8.50
GRM00118	*	1	GROMMET; 3/16 IN ID, NEOPRENE
PNL26584	*	1	PANEL; BLOWER BARRIER, 41.05 X 21.15
PNL28755	*	1	PANEL; COMPRESSOR BARRIER, 27.22 W X 21.15 H
COV03696	1	1	COVER; INDOOR, TOP, 48.61 X 41.08
PNL22036	2	1	PANEL; ELECTRIC HEAT ACCESS, 35.49 X 20.91
SHD00397	3	1	SHIELD; LOUVER, TOP, 5.0 X 1.9
SHD00396	4	1	SHIELD; LOUVER, CONTROL ACCESS PANEL, 12.95 X 1.50
PNL22041	5	1	PANEL; CONTROL/HEAT ACCESS, 17.93 X 20.70
PNL22013	6	1	PANEL; BLOWER ACCESS, 17.63 X 20.70
SHD00395	7	1	SHIELD; LOUVER, CONTROL ACCESS PANEL, 12.95 X 3.40
BRK03541	8	1	BRACKET; BLOWER SUPPORT, V-SHAPED, 3.13 X 2.75 X 1.50
PLT04289	9	1	PLATE; APPEARANCE, TRANE, XL14C, 9.0 X 1.8
PNL21998	10	1	PANEL; COMPRESSOR ACCESS, 20.7 X 12.7 & 20.7 X 15.5
PNL22039	11	1	PANEL; INDOOR COIL ACCESS, 22.42 X 20.70
COV03698	12	2	COVER; SUPPLY AND RETURN, 15.88 X 11.88
PNL22197	13	1	PANEL; SUPPLY AND RETURN, 48.41 X 20.88

Cabinet

75008359

REV  
A

Typical illustration. Unit may not appear exactly as shown.

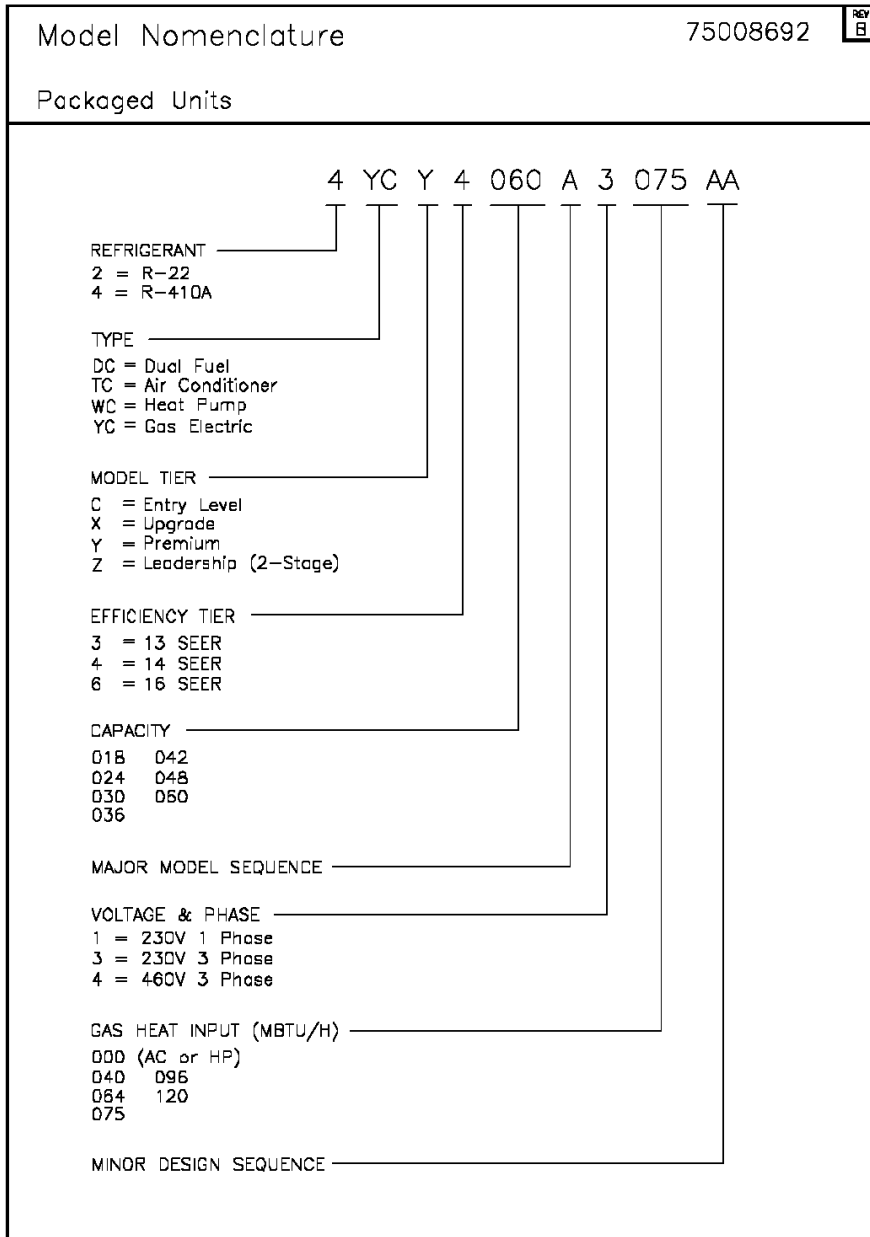


View is determined by facing Appearance Nameplate

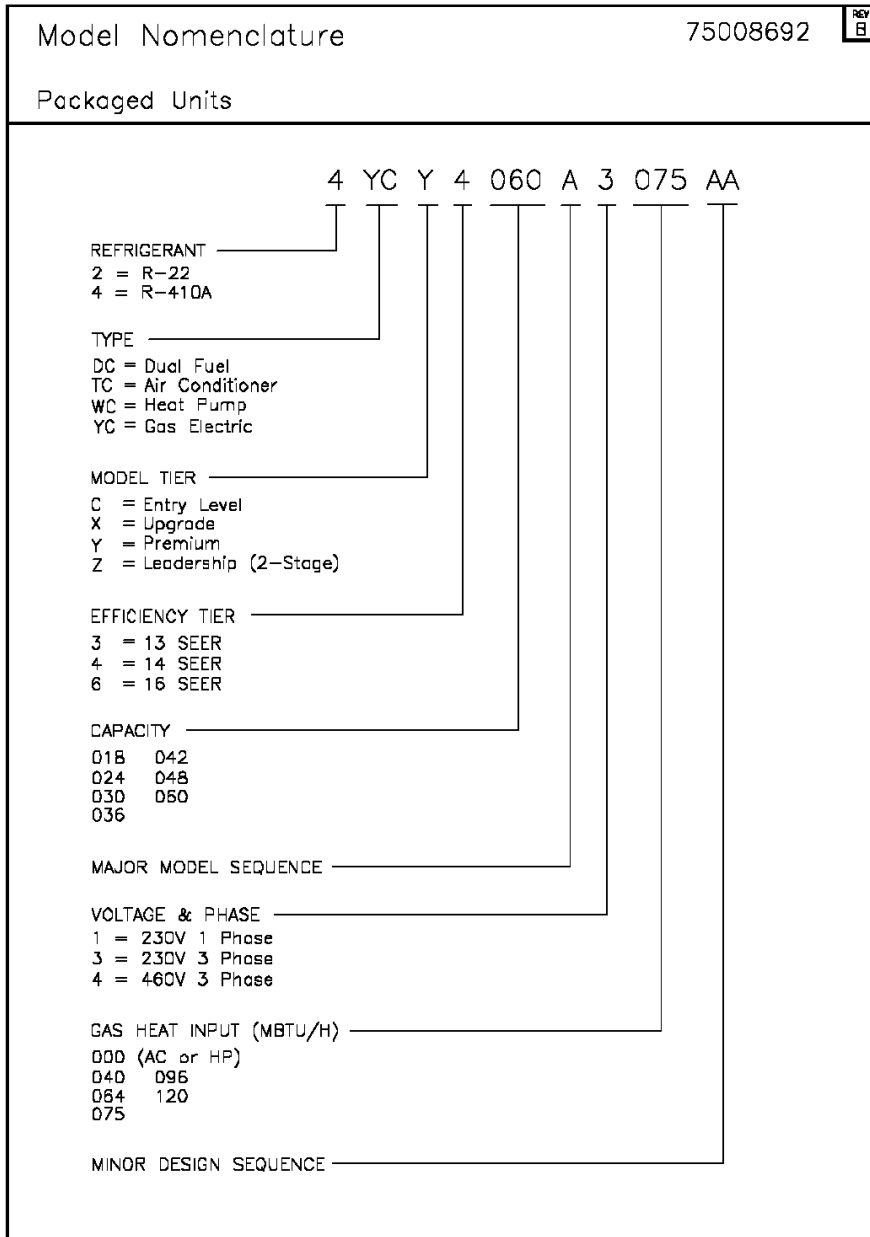
Parts List Number :75008360#4TCY4UP1

Model Number :4TCY4024A1000BA

Part No.	Reference No.	Quantity	Description
PAI00074	*	1	PAINT; SPRAY, SLATE GREY, FULL GLOSS(88) (SHIPPING UOM 12 OZ HAZ)



Part No.	Reference No.	Quantity	Description
75008692_4TCY4UP1_188732~P	*		MODEL NOMENCLATURE PARTS LIST



Part No.	Reference No.	Quantity	Description
NGRAPHIC_4TCY4UP1_371346~ P	*		OPTIONAL FIELD INSTALLED ACCESSORIES PARTS LIST

NO GRAPHIC AVAILABLE

75013702

REV  
A

**NO  
GRAPHIC  
AVAILABLE**

Parts List Number :75008360#4TCY4UP1

Model Number :4TCY4024A1000BA

Part No.	Reference No.	Quantity	Description
BAYUV101A	*	1	25 WATT UV LIGHT KIT FOR SMALL PACKAGED UNITS
ECN00111	*	1	ECONOMIZER; DOWN DISCHARGE, AND RAIN HOOD (BAYECON101AA)
ECN00113	*	1	ECONOMIZER; HORIZONTAL (BAYECON200AA)
HTR08651	*	1	HEATER; ELECTRIC, 3.76/5.0 KW, 208/240/1 (BAYHTRV105EA)
HTR08652	*	1	HEATER; ELECTRIC, 6.0/8.0 KW, 208/240/1 (BAYHTRV108EA)
HTR08653	*	1	HEATER; ELECTRIC, 7.51/10.0 KW, 208/240/1 (BAYHTRV110EA)
KIT03361	*	1	KIT; LIFTING LUGS-BAYLIFT002B (CTN = 6 PIECES)
KIT06658	*	1	KIT; ENTHALPY CONTROL (BAYENTH001AB)
KIT13551	*	1	KIT; CURB ADAPTER (BAYADAP050AA)
KIT13552	*	1	KIT; CURB ADAPTER (BAYADAP051AA)
KIT13556	*	1	KIT; CRANKCASE HEATER, 230V RECIP COMPRESSORS (BAYCCHT101AA)
KIT13559	*	1	KIT; 12 INCH DUCT SHROUD COVERS HORIZONTAL (BAYCOVR112AA)
KIT13560	*	1	KIT; 18 INCH DUCT SHROUD COVERS HORIZONTAL (BAYCOVR118AA)
KIT13561	*	1	KIT; FULL PERIMETER ROOF MOUNTING CURB (BAYCURB050AA)
KIT13563	*	1	KIT; OUTSIDE AIR, 2 POS DAMPER (BAYDMPR101AA)
KIT13565	*	1	KIT; EXTREME CURB MOUNTING (BAYEXMK001AA)
KIT13567	*	1	KIT; EXTREME CURB MOUNTING (BAYEXMK003AA)
KIT13571	*	1	KIT; OUTSIDE AIR, MANUAL DAMPER (BAYOSAH001AA)
KIT13573	*	1	KIT; QUICK START (BAYQSTK300AA)
KIT13575	*	1	KIT; SQUARE/ROUND DUCT ADAPTER (BAYSQRD001AA)
KIT13640	*	1	KIT; LOW AMBIENT COOLING, HEAD PRESSURE CONTROL (BAYLOAM105AA)
KIT15096	*	1	KIT; FILTER FRAME (BAYFLTR101BA). USE ONE 20 X 25 FILTER - NOT INCLUDED.
KIT15141	*	1	KIT; ACCESS DOOR, 1-1/2 TO 3 TON MODELS (BAYACCDOR1AA)
KIT15323	*	1	KIT; EXTREME CURB MOUNTING (BAYEXMK002BA)
KIT15325	*	1	KIT; SQUARE/ROUND DUCT ADAPTER (BAYUTIL101BA)
KIT15403	*	1	KIT; ECONOMIZER, HINGED FILTER ACCESS DOOR AND FILTER FRAME (BAYECONCOMB101A)
KIT16161	*	1	KIT; SINGLE POWER ENTRY (BAYSPEK060F)
RLY01652	*	1	RELAY; KIT (BAYRLAY004AA)
THT00839	*	1	THERMOSTAT; REMOTE POTENTIOMETER, 60-90 DEG F (BAYSTAT023AA)