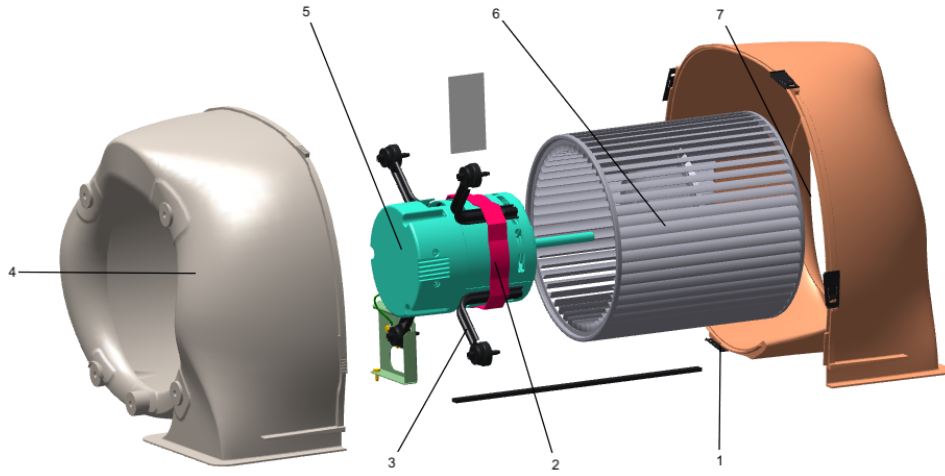


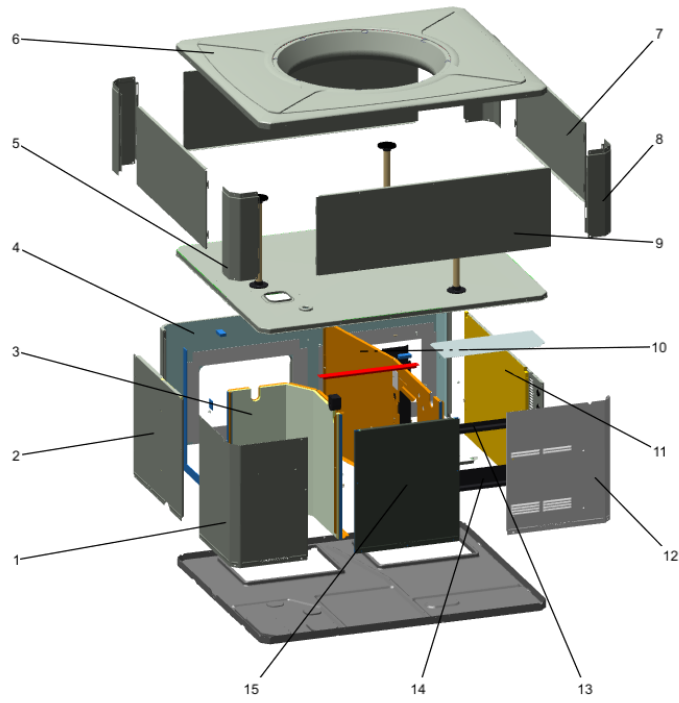
Part No.	Reference No.	Quantity	Description
0000172486~S	*		BLOWER
0000172485~S	*		CABINET
0000172488~S	*		CONTROL
0000172487~S	*		FAN
0000172493~S	*		GENERAL ASSEMBLY
0000172490~S	*		HEAT EXCHANGER
0000172492~S	*		MODEL NUMBER DESCRIPTION
0000172489~S	*		REFRIGERATION

Part No.	Reference No.	Quantity	Description
0000037731~P	*		BLOWER PARTS LIST



Part No.	Reference No.	Quantity	Description
BLW01717	*	1	BLOWER; ASM
NUT01063	*	1	NUT; LOCKING NYLON
SCR00968	*	1	SCREW; 10-16 HEX WASHER, TYPE B, THREAD FORMING SCREW, 0.31 THREAD LENGTH, STEEL W/ZINC FINISH
SCR00998	*	2	SCREW; 10-16 B HXW 1/2 S
SCR01584	*	1	BOLT; 1/4-20 MA HX 1.5 S
SCR02112	*	4	SCREW; ASSEMBLY-MOTOR MOUNT
CLP01123	1	4	CLIP; CLEAT-BLOWER
BND00026	2	1	BAND; MOTOR MOUNT
BRK03396	3	4	BRACKET; ARM-MOTOR
HUS03804	4	1	HOUSING; BLOWER LEFT SIDE WITH 4 MOUNTING HOLES, MOLDED GLASS FIBER POLYESTER, COLOR: NATURAL
MOT21335	5	1	MOTOR; 3/4 HP, 208-230, 1050 RPM
WHL02558	6	1	WHEEL; BLOWER, 48 BLADES, CCW, CONCAVE DISC, 10.62 X 10.68
HUS03805	7	1	HOUSING; BLOWER RIGHT SIDE WITHOUT MOUNTING HOLES, MOLDED GLASS FIBER POLYESTER, COLOR: NATURAL
BRK03542	8	1	BRACKET; BLOWER RETAINER, 4.32 X 3.45

Part No.	Reference No.	Quantity	Description
0000037708~P	*		CAB ASM-HP/AC



Part No.	Reference No.	Quantity	Description
BAF01378		1	BAFFLE; AIR, 16.00 X 8.50
BRK03541		1	BRACKET; BLOWER SUPPORT, V-SHAPED, 3.13 X 2.75 X 1.50
COV03698		2	COVER; SUPPLY AND RETURN, 15.88 X 11.88
GRM00118		1	GROMMET; 3/16 IN ID, NEOPRENE
INS02869		1	INSULATION; INDOOR TOP COVER, 17.5 X 7.4
PAI00074		0	PAINT; SPRAY, SLATE GREY, FULL GLOSS(88) (SHIPPING UOM 12 OZ HAZ)
SCR00981		23	SCREW, 10-16 AB HXW 1/2 S
SCR01510		75	SCREW; 10-16 AB HXW 1/2 SN
SCR01511		16	SCREW; 10-16 B HXW 1/2 S
SHD00397		1	SHIELD; LOUVER, TOP, 5.0 X 1.9
SUP05918		3	SUPPORT; OUTDOOR COIL, 3.0 DIA, WITH GASKET
SUP05919		3	SUPPORT; OUTDOOR COIL, 3.0 DIA, WITH GASKET
TUB12284		3	TUBE; SUPPORT, TOP PIPE, .75 DIA, SCHEDULE 40 GREY PVC, 14.46 INCHES
PNL21998	1	1	PANEL; COMPRESSOR ACCESS, 20.7 X 12.7 & 20.7 X 15.5
PNL22197	2	1	PANEL; SUPPLY AND RETURN, 48.41 X 20.88
PNL32041	3	2	PANEL; METAL LOUVER, 39.53 X 13.40
PNL28755	4	1	PANEL; COMPRESSOR BARRIER, 27.22 W X 21.15 H
COV03696	5	1	COVER; INDOOR, TOP, 48.61 X 41.08
COV03694	6	2	COVER; OUTDOOR, TOP, 48.61 X 41.08
PNL22013	7	1	PANEL; BLOWER ACCESS, 17.63 X 20.70
PNL22002	8	4	PANEL; CORNER POST, 13.84 H
PNL22036	9	1	PANEL; ELECTRIC HEAT ACCESS, 35.49 X 20.91
PNL32039	10	2	PANEL; METAL LOUVER, 31.99 X 13.40
PNL22041	11	1	PANEL; CONTROL/HEAT ACCESS, 17.93 X 20.70
PNL26584	12	1	PANEL; BLOWER BARRIER, 41.05 X 21.15
SHD00396	13	1	SHIELD; LOUVER, CONTROL ACCESS PANEL, 12.95 X 1.50
SHD00395	14	1	SHIELD; LOUVER, CONTROL ACCESS PANEL, 12.95 X 3.40
PNL22039	15	1	PANEL; INDOOR COIL ACCESS, 22.42 X 20.70

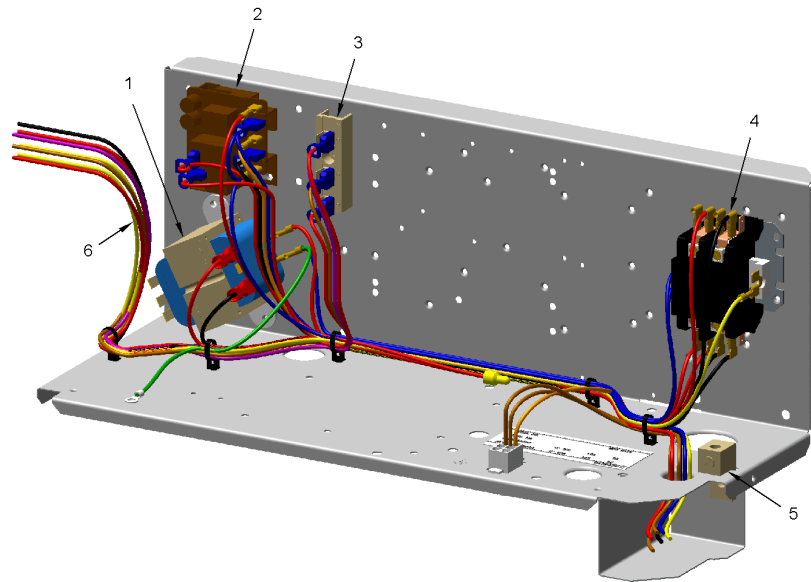
Part No.	Reference No.	Quantity	Description
0000037767~P	*		CONTROL BOX PARTS LIST

CONTROL PANEL

75010753

REV.
A

TYPICAL ILLUSTRATION



Part No.	Reference No.	Quantity	Description
CON00077	*	1	CONNECTOR, ELECTRIC GROUND, 14-2 AWG SOLDERLESS
FUS01089	*	1	FUSE; 5 AMP, TAN, AUTOMOTIVE STYLE
RCT00062	*	1	RECEPTACLE; CONNECTOR, 6 PIN, POLARIZED, MALE
SCR00968	*	1	SCREW; 10-16 HEX WASHER, TYPE B, THREAD FORMING SCREW, 0.31 THREAD LENGTH, STEEL W/ZINC FINISH
SCR00981	*	4	SCREW, 10-16 AB HXW 1/2 S
SCR00998	*	9	SCREW; 10-16 B HXW 1/2 S
TER00312	*	8	TERMINAL; 8IN. TIE CABLE
TIE00005	*	5	TIE; WIRE, .06-1.75 DIA
TIE00008	*	8	TIE;CABLE
WIR07794C	*	5	(X19210028130) TIE; WIRE NYLON 7.78 INCH 50 LB. .184" W
TRR01898	1	1	TRANSFORMER; 50VA, 208/240V PRI, 24V SEC
RLY01384	2	1	RELAY; 240/480V, 24V COIL
CTR02994	4	1	CONTACTOR; 1 POLE + SHUNT, NO, 40 FLA AT 240V, 50/60 HZ, 40 RES AMPS, 32V COIL, 40 FLA AT 240/277/480/600V
WIR12097	6	1	WIRE; HARNESS-CONTROL

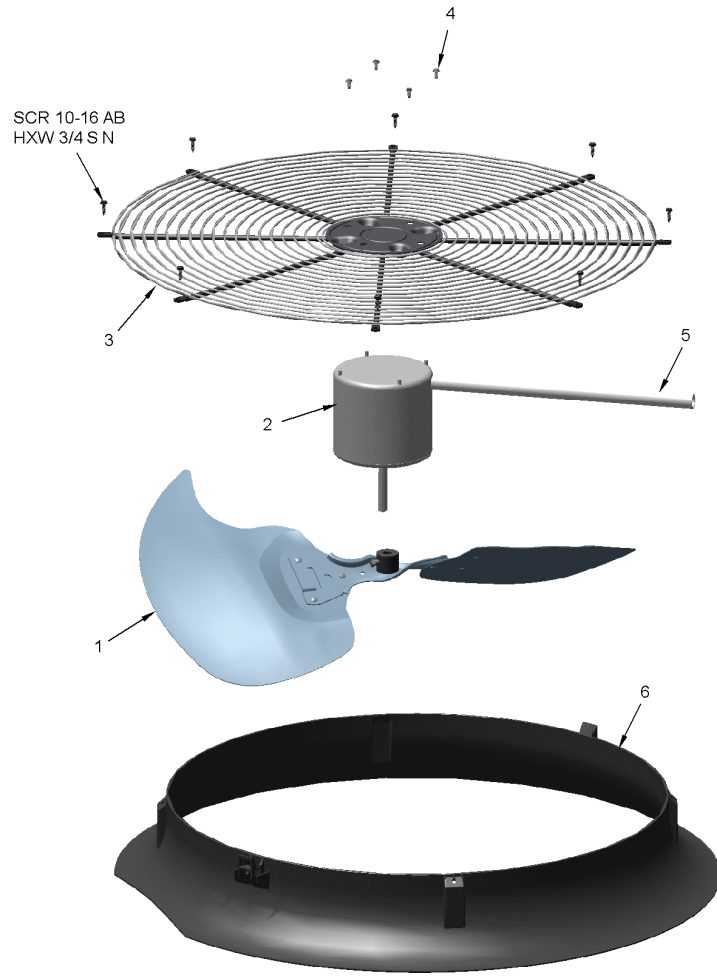
Part No.	Reference No.	Quantity	Description
0000039827~P	*		FAN PARTS LIST
0000037535~P	*		FANS PARTS LIST

FAN

75010748

REV.
A

TYPICAL ILLUSTRATION



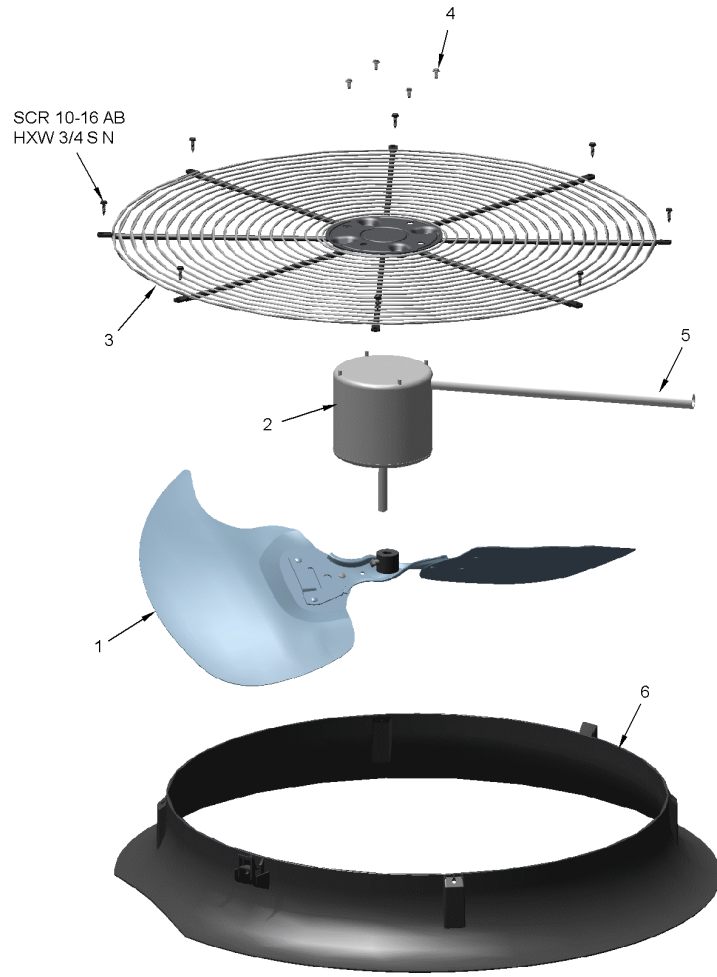
Part No.	Reference No.	Quantity	Description
FAN03995	1	1	FAN; SWEPT BLADE, 2 BLADE, ALUMINUM, 23.4 IN DIA, 32 DEGREES PITCH, .50 IN BORE, CCW, 1 SET SCREW-STEEL
MOT13832	2	1	MOTOR; OUTDOOR, 1/5 HP, 200-230/60/1, 825 RPM, TYPE PSC, CCW, SLEEVE BEARINGS, 5 MFD CPT AT 370V
GRL01529	3	1	GRILL; OUTDOOR FAN, 26.0 IN MOUNTING DIA
SCR02086	4	4	SCREW; 10-32 TR-3 HXW 3/8 S
GRD01633	5	1	GUARD; TROUGH-LEAD

FAN

75010748

REV.
A

TYPICAL ILLUSTRATION



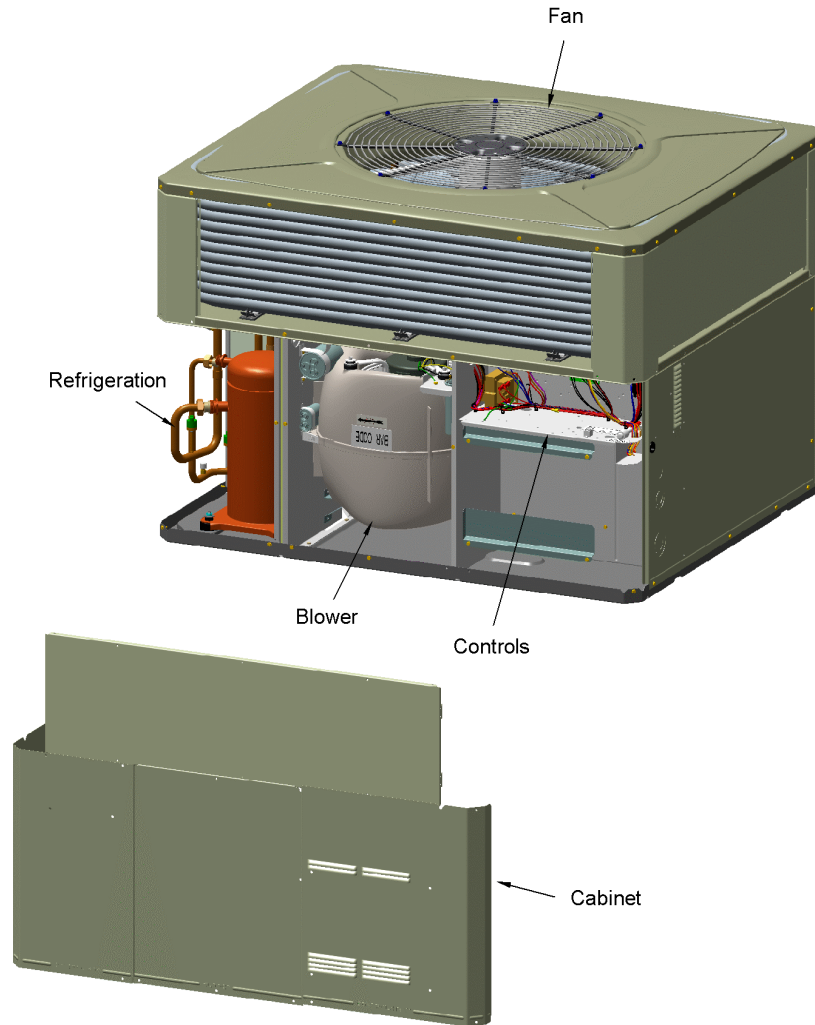
Part No.	Reference No.	Quantity	Description
FAN03995	1	1	FAN; SWEPT BLADE, 2 BLADE, ALUMINUM, 23.4 IN DIA, 32 DEGREES PITCH, .50 IN BORE, CCW, 1 SET SCREW-STEEL
MOT13832	2	1	MOTOR; OUTDOOR, 1/5 HP, 200-230/60/1, 825 RPM, TYPE PSC, CCW, SLEEVE BEARINGS, 5 MFD CPT AT 370V
GRL01529	3	1	GRILL; OUTDOOR FAN, 26.0 IN MOUNTING DIA
SCR02086	4	4	SCREW; 10-32 TR-3 HXW 3/8 S
GRD01633	6	1	GUARD; TROUGH-LEAD

Part No.	Reference No.	Quantity	Description
0000026287~P	*		GENERAL ASSEMBLY GRAPHIC

PACKAGED UNITS
Cooling or Heat Pump
TYPICAL ILLUSTRATION

75010714

REV.
A



Part No.	Reference No.	Quantity	Description
0000037796~P	*		HEAT EXCHANGER PARTS LIST

Part No.	Reference No.	Quantity	Description
PLT04182	*	1	PLATE; ELECTRIC HEATER, 21.15 x 18.30. INCLUDES BARRIER AND PLATE
SCR01510	*	12	SCREW; 10-16 AB HXW 1/2 SN

Part No.	Reference No.	Quantity	Description
0000026409~P	*		MODEL NUMBER DESCRIPTION

MODEL NUMBER DESCRIPTION
PACKAGED UNITS

75011470

REV
C

Example Model Number:
4 Y C Y 5 0 4 8 A 1 0 9 0 A A
1 - - - 5 - - - 10 - - - 15

Digit 1 – Refrigerant
4 = R-410A

Digit 2 – Type
Y = Gas Electric
W = Heat Pump
D = Dual Fuel
T = Air Conditioner

Digit 3 – Model Tier
C = Convertible
H = Horizontal (only)

Digit 4 – Model Tier
C = Entry Level
X = Upgrade
Y = Premium
Z = Leadership - (2-Stage)
A = RunTru Brand

Digit 5 – Efficiency Tier
3 = 13 SEER
4 = 14 SEER
5 = 15 SEER
6 = 16 SEER

Digits 6,7,8 – Capacity in 1000's (BTUH)
018 042
024 048
030 060
036

Digit 9 – Major Design Change

Digit 10 – Voltage & Phase
1 = 230V 1 Phase
3 = 230V 3 Phase
4 = 460V 3 Phase

Digit 11,12,13 – Gas Heat Input (MBTU/H)
000 (AC or HP) 075
040 096
064 120

Digit 14 – Minor Design Change

Digit 15 – Service Digit - Not Orderable

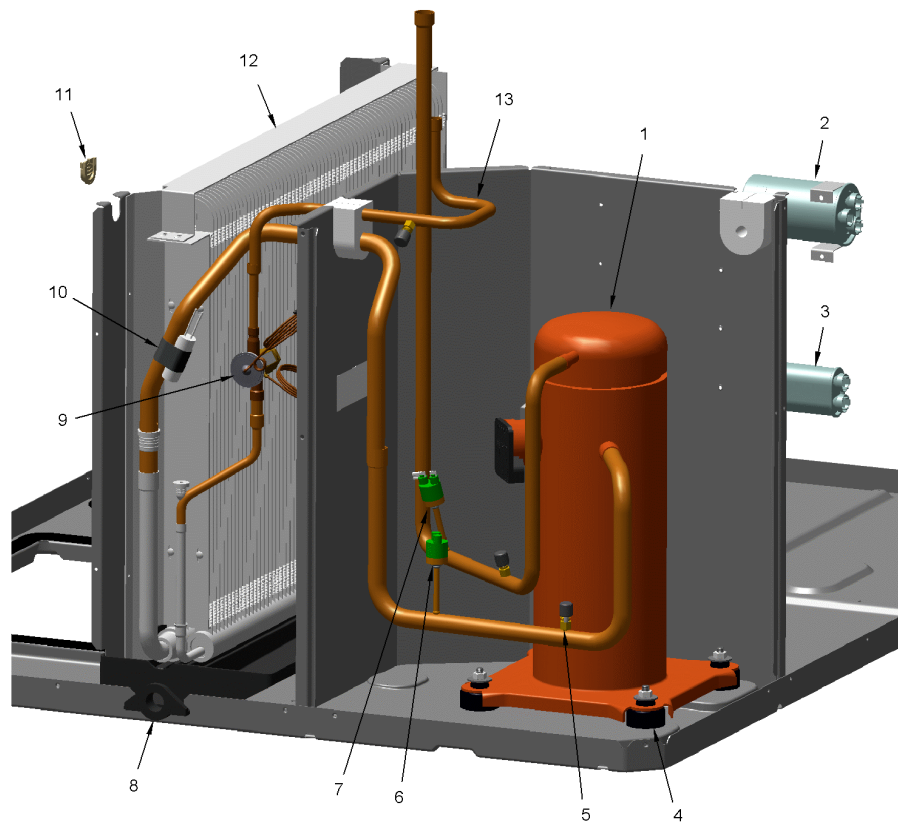
Part No.	Reference No.	Quantity	Description
0000037829~P	*		REFRIGERATION PARTS LIST

REFRIGERATION

75010758

REV.
A

TYPICAL ILLUSTRATION



Part No.	Reference No.	Quantity	Description
COL25353	*	1	COIL; INDOOR, MICROCHANNEL, 25.71 L X 20.00 H
CON00251	*	2	CONNECTOR; WIRE
COR00103	*	3	CORE; VALVE, .79 LENGTH, .206-36 UNS-1 MOD. THD
KIT08039	*	4	KIT; GROMMETS. COMPRESSOR MOUNTING. (CONSISTS OF 4), 0.44 ID X 1.63 OD NEOPRENE RUBBER-BLACK 45-55 DUROMETER
SCR01511	*	2	SCREW; 10-16 B HXW 1/2 S
SRP00093	*	1	STRAP;CAPACITOR
TER00312	*	11	TERMINAL; 8IN. TIE CABLE
TIE00015	*	9	TIE;
TIE00029	*	11	TIE;CABLE
TUB02810	*	14	TUBE; TRANSITION
TUB11547	*	14	TUBE; TRANSITION ASSEMBLY
TUB13600	*	1	TUBE; LIQUID
TUB13910	*	1	TUBE; ASSEMBLY, SUCTION, INCLUDES LPCO
WIR04493	*	1	WIRE; PLUG, SCROLL COMPRESSOR
TUB13915		1	TUBE; ASSEMBLY, DISCHARGE, INCLUDES HPCO
COM11766	1	1	COMPRESSOR; SCROLL; ALLIANCE; SBA031C1CPZ; 2.5 TON; 42,500 BTUH; 208/230-60-1; R-410A; BRAZED; SUCTION 3/4; DISCHARGE 1/2; RLA 17.1
PAN02888	2	1	PAN; DRAIN, BLACK PVC, 29.58 X 7.75
SCR01510	2a	1	SCREW; 10-16 AB HXW 1/2 SN
CPT00656	2b	1	CAPACITOR; DUAL, 45/5 MFD, 440V, ROUND, W/O RESISTOR
BLT00809	4	4	BOLT; CARRIAGE, 5/16-18 X 1-3/4
GKT01820	4a	4	GASKET; 3/4 OD X 7/16 ID X .06 THK
ISR00007	4b	4	ISOLATOR; VIBRATION
NUT00355	4c	4	NUT; HEX, LOCK, 5/16IN.-18
NUT00890	4d	4	NUT; PALLET, 5/16-18 UNC 2B THD.
WAS00638	4e	4	WASHER; FLAT, 5/16 INCH
BOD00114	5	3	BODY; VALVE, BRASS, 7/16 HEX, 7/16 -20 UNF-2A
CAP00455	5a	3	CAP; HUB, 7/16-20 STRAIGHT
SWT03546	6	1	SWITCH; LOW PRESSURE, OPEN @ 50 PSIG, CLOSE @ 70 PSIG
SWT03544	7	1	SWITCH; HIGH PRESSURE, SPST, OPEN @ 650 PSIG, CLOSE @ 500 PSIG, BRAZED
PAN02764	8	1	PAN; DRAIN, BLACK PVC, 29.58 X 7.75
VAL11888	9	1	VALVE; FLOW CONTROL ASSEMBLY, INCLUDES TXV AND DISTRIBUTOR
VAL19940	9a	1	VALVE; HXE 3 KX
CLP00223	10	1	CLIP; BULB
GRM00103	11	1	GROMMET; SPLIT, COMPRESSOR
COL19226	12	1	COIL; OUTDOOR, SPINE FIN
TUB13267	13	1	TUBE; LIQUID LINE ASSEMBLY