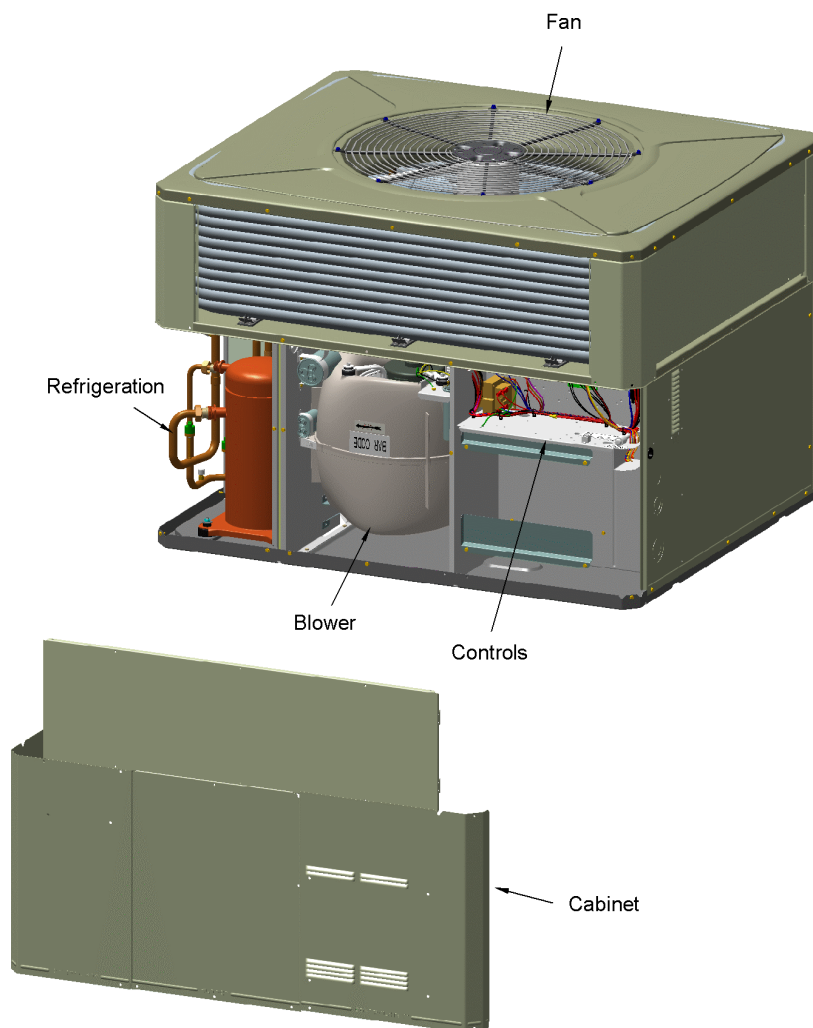


PACKAGED UNITS

75010714

REV.
A

Cooling or Heat Pump
TYPICAL ILLUSTRATION

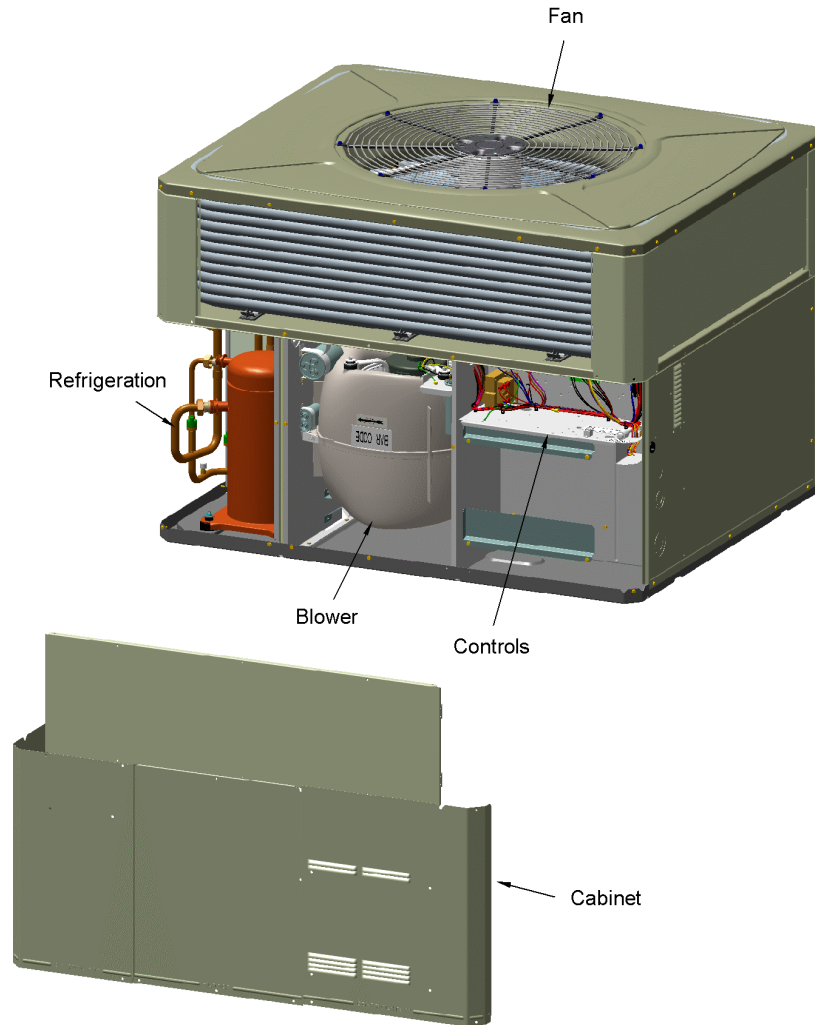


Part No.	Reference No.	Quantity	Description
75010745#4TCC4UP1~S	*		BLOWER
75010713#4TCC4UP1~S	*		CABINET - LOWER
75010703#4TCC4UP1~S	*		CABINET - UPPER
75010753#4TCC4UP1~S	*		CONTROLS
75010673#4TCC4UP1~S	*		FAN
75008692#4TCC4UP1~S	*		MODEL NUMBER DESCRIPTION
NGRAPHIC#4TCC4UP1~S	*		OPTIONAL EQUIPMENT
75010751#4TCC4UP1~S	*		OUTDOOR COIL
75010714_4TCC4UP1_239394~P	*		PACKAGED COOLING PARTS LIST
75010759#4TCC4UP1~S	*		REFRIGERATION

PACKAGED UNITS
Cooling or Heat Pump
TYPICAL ILLUSTRATION

75010714

REV.
A



OUTDOOR COIL

75010751

REV.
A

TYPICAL ILLUSTRATION



OUTDOOR COIL

Parts List Number :75010714#4TCC4UP1

Model Number :4TCC4030A1000AA

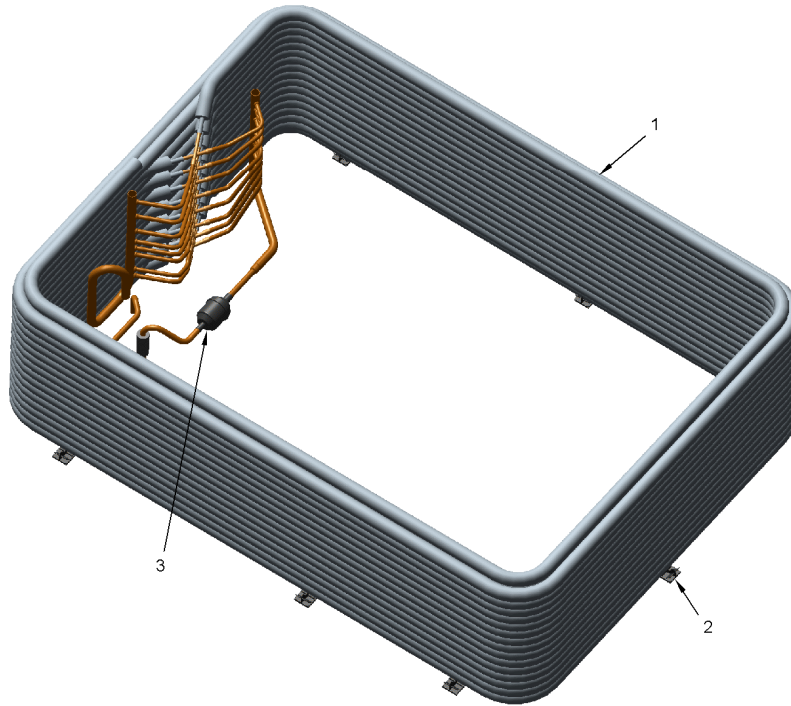
Part No.	Reference No.	Quantity	Description
75010751_4TCC4UP1_329701~P	*		OUTDOOR COIL PARTS LIST

OUTDOOR COIL

75010751

REV.
A

TYPICAL ILLUSTRATION



OUTDOOR COIL PARTS LIST

Parts List Number :75010714#4TCC4UP1

Model Number :4TCC4030A1000AA

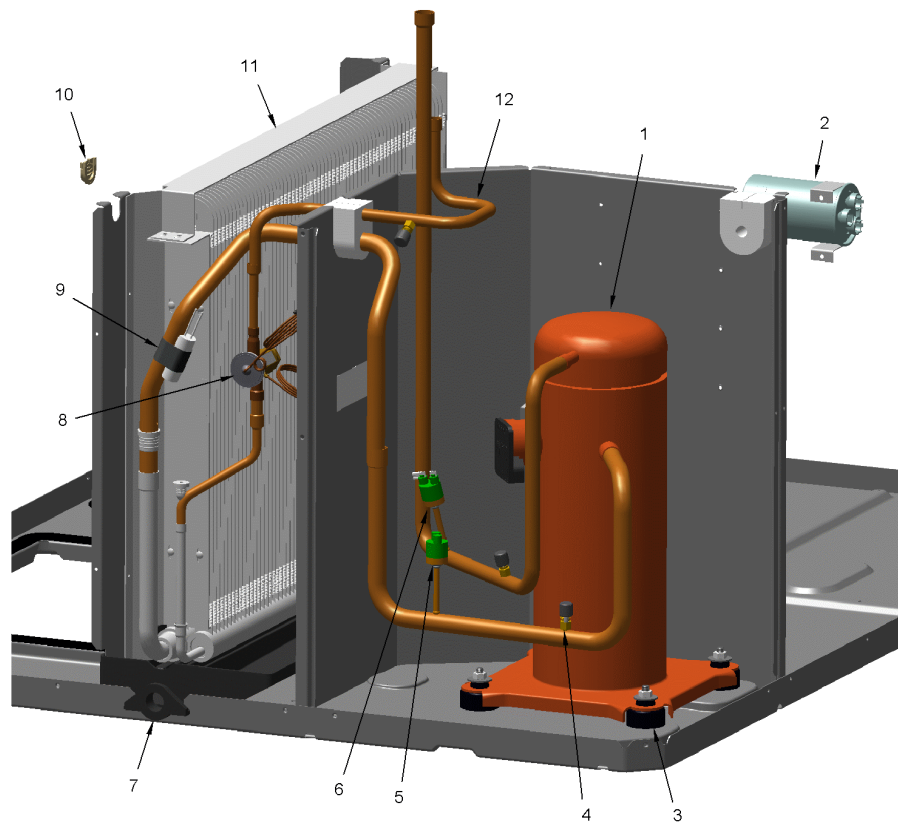
Part No.	Reference No.	Quantity	Description
COL18513	1	1	COIL; OUTDOOR, SPINE FIN
SPC00391	2	8	SPACER; OUTDOOR COIL, 2.50 X 1.31. INCLUDES GASKET.
DHY01456	3	1	DRIER; LIQUID LINE; SERVICE FIRST; 5 CU. IN.; DCL054/3S, 1/2 ODF INLET X 3/8 ODF OUTLET; 5.4 TON CAPACITY; APPROVED FOR MINERAL OIL AND POE OIL REFRIG

REFRIGERATION

75010759

REV.
A

TYPICAL ILLUSTRATION



Parts List Number :75010714#4TCC4UP1

Model Number :4TCC4030A1000AA

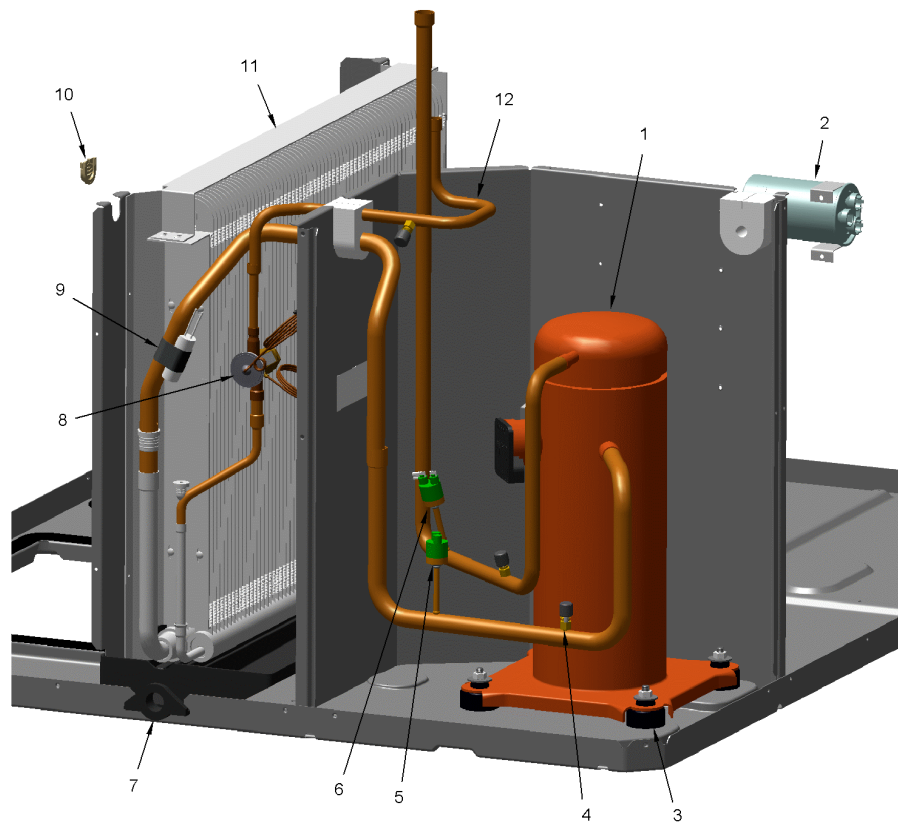
Part No.	Reference No.	Quantity	Description
75010759_4TCC4UP1_329703~P	*		REFRIGERATION PARTS LIST

REFRIGERATION

75010759

REV.
A

TYPICAL ILLUSTRATION



Part No.	Reference No.	Quantity	Description
TUB13910	*	1	TUBE; ASSEMBLY, SUCTION, INCLUDES LPCO
TUB13915	*	1	TUBE; ASSEMBLY, DISCHARGE, INCLUDES HPCO
WIR04493	*	1	WIRE; PLUG, SCROLL COMPRESSOR
COM10752	1	1	COMPRESSOR; SCROLL, ALLIANCE, SXA025C1CPA, 2.08 TON, 208V-230V/60/1, R-410A, 3/4 SUCTION, 1/2 DISCHARGE, STUB TUBE, BLACK
CPT00668	2	1	CAPACITOR; DUAL, 440V, 40/5 MFD, ROUND, W/O RESISTOR
SCR01510	2	2	SCREW; 10-16 AB HXW 1/2 SN
SRP00093	2	1	STRAP;CAPACITOR
BLT00809	3	4	BOLT; CARRIAGE, 5/16-18 X 1-3/4
GKT01820	3	4	GASKET; 3/4 OD X 7/16 ID X .06 THK
ISR00007	3	4	ISOLATOR; VIBRATION
NUT00355	3	4	NUT; HEX, LOCK, 5/16IN.-18
NUT00890	3	4	NUT; PALLET, 5/16-18 UNC 2B THD.
WAS00638	3	4	WASHER; FLAT, 5/16 INCH
BOD00114	4	3	BODY; VALVE, BRASS, 7/16 HEX, 7/16 -20 UNF-2A
CAP00455	4	3	CAP; HUB, 7/16-20 STRAIGHT
COR00103	4	3	CORE; VALVE, .79 LENGTH, .206-36 UNS-1 MOD. THD
SWT03546	5	1	SWITCH; LOW PRESSURE, OPEN @ 50 PSIG, CLOSE @ 70 PSIG
SWT03544	6	1	SWITCH; HIGH PRESSURE, SPST, OPEN @ 650 PSIG, CLOSE @ 500 PSIG, BRAZED
PAN02888	7	1	PAN; DRAIN, BLACK PVC, 29.58 X 7.75
VAL11887	8	1	VALVE; FLOW CONTROL ASSEMBLY, INCLUDES TXV AND DISTRIBUTOR
VAL11899	8	1	VALVE; EXPANSION, 3 TON, 3/8" INLET X 1/2" OUTLET, 200/86 PSIG, R410A
CLP01072	9	1	CLIP; BULB (BLUE), 3/4 OD TUBE
GRM00103	10	1	GROMMET; SPLIT, COMPRESSOR
COL25352	11	1	COIL; INDOOR, MICROCHANNEL, 25.71 L X 20.00 H
TUB13267	12	1	TUBE; LIQUID LINE ASSEMBLY

FAN

75010673

REV
A

TYPICAL ILLUSTRATION



Parts List Number :75010714#4TCC4UP1

Model Number :4TCC4030A1000AA

Part No.	Reference No.	Quantity	Description
75010673_4TCC4UP1_329699~P	*		FAN PARTS LIST

FAN

75010673

REV
A

TYPICAL ILLUSTRATION



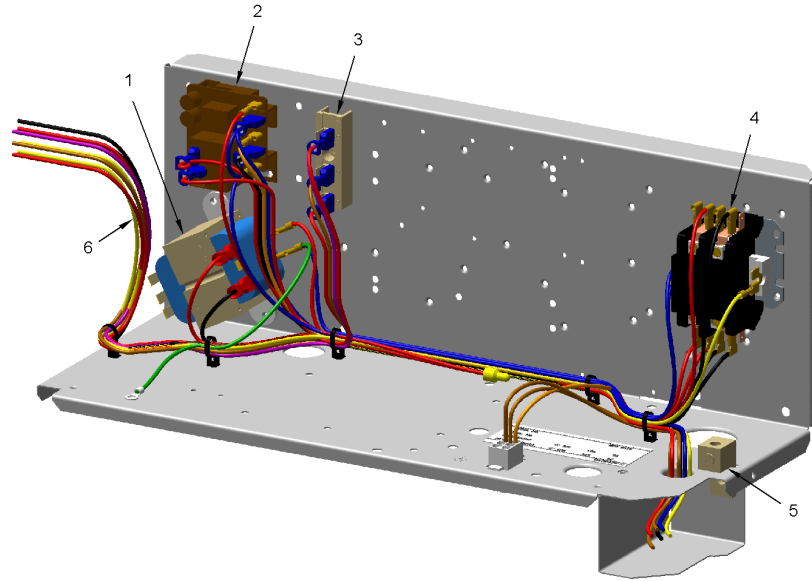
Part No.	Reference No.	Quantity	Description
FAN03983	1	1	FAN; SWEPT BLADE, 2 BLADE, ALUMINUM, 23.4 IN DIA, 30 DEGREES PITCH, .50 IN BORE, CCW, 1 SET SCREW-STEEL
MOT13827	2	1	MOTOR; OUTDOOR, 1/6 HP, 200-230/60/1, 830 RPM, TYPE PSC, CCW, SLEEVE BEARINGS, 5 MFD CPT AT 370V
GRL01529	3	1	GRILL; OUTDOOR FAN, 26.0 IN MOUNTING DIA
SCR02086	4	4	SCREW; 10-32 TR-3 HXW 3/8 S
GRD01633	5	1	GUARD; TROUGH-LEAD

CONTROL PANEL

75010753

REV.
A

TYPICAL ILLUSTRATION



Parts List Number :75010714#4TCC4UP1

Model Number :4TCC4030A1000AA

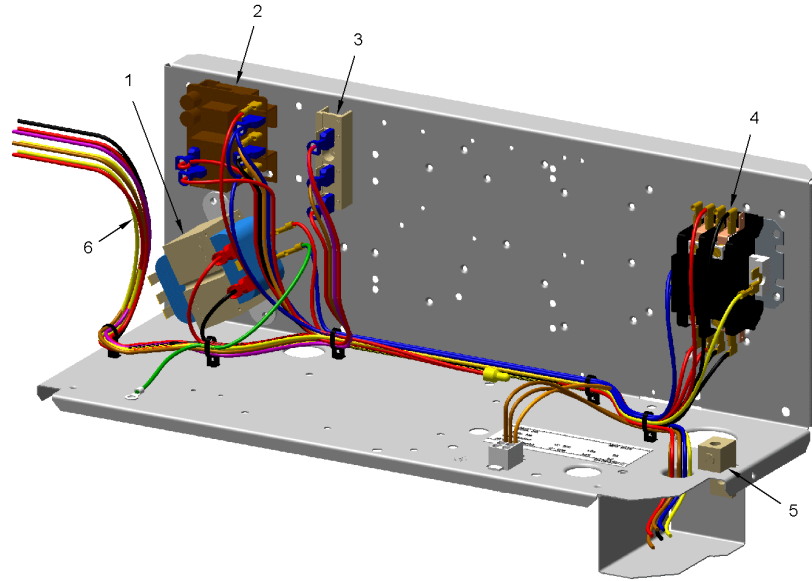
Part No.	Reference No.	Quantity	Description
75010753_4TCC4UP1_329702~P	*		CONTROLS PARTS LIST

CONTROL PANEL

75010753

REV.
A

TYPICAL ILLUSTRATION



Parts List Number :75010714#4TCC4UP1

Model Number :4TCC4030A1000AA

Part No.	Reference No.	Quantity	Description
FUS01089	*	1	FUSE; 5 AMP, TAN, AUTOMOTIVE STYLE
RCT00062	*	1	RECEPTACLE; CONNECTOR, 6 PIN, POLARIZED, MALE
TRR01898	1	1	TRANSFORMER; 50VA, 208/240V PRI, 24V SEC
RLY01384	2	1	RELAY; 240/480V, 24V COIL
BRD00385	3	1	BOARD; TERMINAL, FAN, 24V, 3 POLE
CTR01333	4	1	CONTACTOR; 2 POLE, NO, 40 FLA AT 240V, 50/60 HZ, 50 RES AMPS, 24V COIL, 40 FLA AT 277/480/600V
LUG00014	5	1	LUG, GROUND
WIR07750	6	1	WIRE; HARNESS, CONTROLS

BLOWER

75010745

REV
A

TYPICAL ILLUSTRATION



Part No.	Reference No.	Quantity	Description
75010745_4TCC4UP1_329700~P	*		BLOWER PARTS LIST

BLOWER

75010745

REV
A

TYPICAL ILLUSTRATION

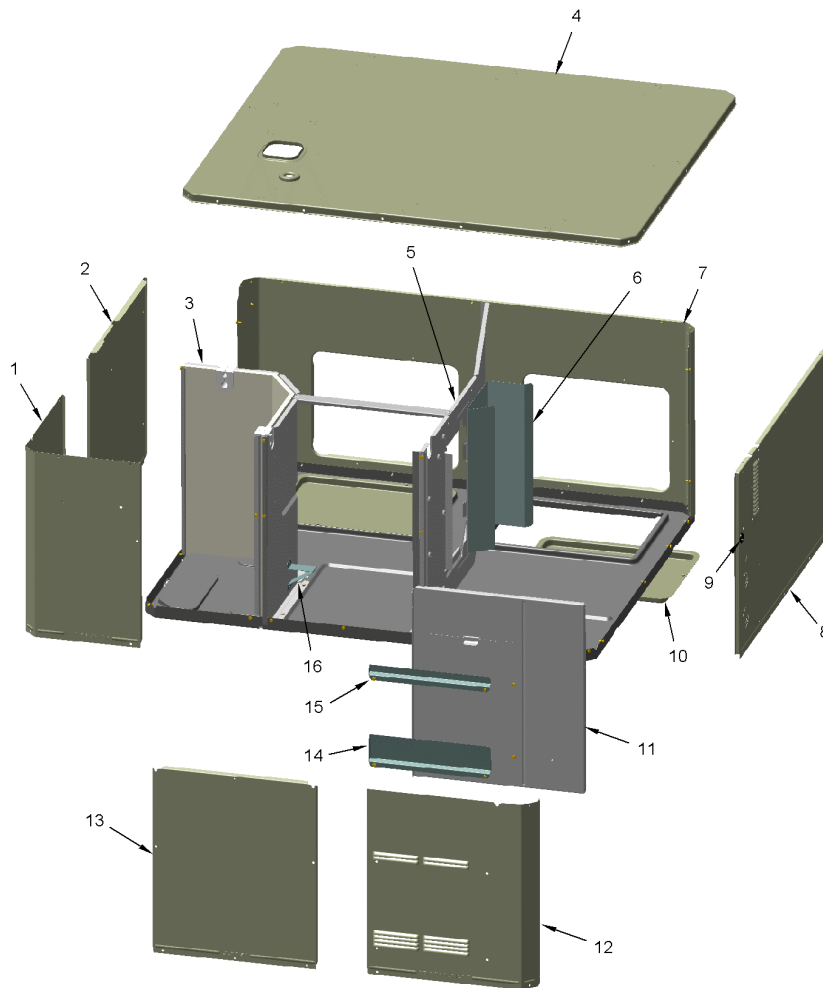


Part No.	Reference No.	Quantity	Description
BLW01350	*	1	BLOWER; ASSEMBLY, COMPLETE
MOT16976	1	1	MOTOR; ASSEMBLY, 1/2 HP, 208-230/60/1, 48 FRAME, BALL BEARING
SCR02112	2	4	SCREW; ASSEMBLY-MOTOR MOUNT
BRK03542	3	1	BRACKET; BLOWER RETAINER, 4.32 X 3.45
SCR00998	4	2	SCREW; 10-16 B HXW 1/2 S
SCR00968	5	1	SCREW; 10-16 HEX WASHER, TYPE B, THREAD FORMING SCREW, 0.31 THREAD LENGTH, STEEL W/ZINC FINISH
NUT00487	6	1	NUT; STEEL HEX, 1/4-20
SCR01584	6	1	BOLT; 1/4-20 MA HX 1.5 S
WAS00646	6	1	WASHER; STEEL SPRING LOCK, 1/4 INCH
BND00026	7	1	BAND; MOTOR MOUNT
BRK03396	8	4	BRACKET; ARM-MOTOR
WHL02558	9	1	WHEEL; BLOWER, 48 BLADES, CCW, CONCAVE DISC, 10.62 X 10.68
HUS03805	10	1	HOUSING; BLOWER RIGHT SIDE WITHOUT MOUNTING HOLES, MOLDED GLASS FIBER POLYESTER, COLOR: NATURAL
CLP01088	11	4	CLIP; CLEAT-BLOWER
HUS03804	12	1	HOUSING; BLOWER LEFT SIDE WITH 4 MOUNTING HOLES, MOLDED GLASS FIBER POLYESTER, COLOR: NATURAL

CABINET
LOWER - INDOOR
TYPICAL ILLUSTRATION

75010713

REV.
A



Parts List Number :75010714#4TCC4UP1

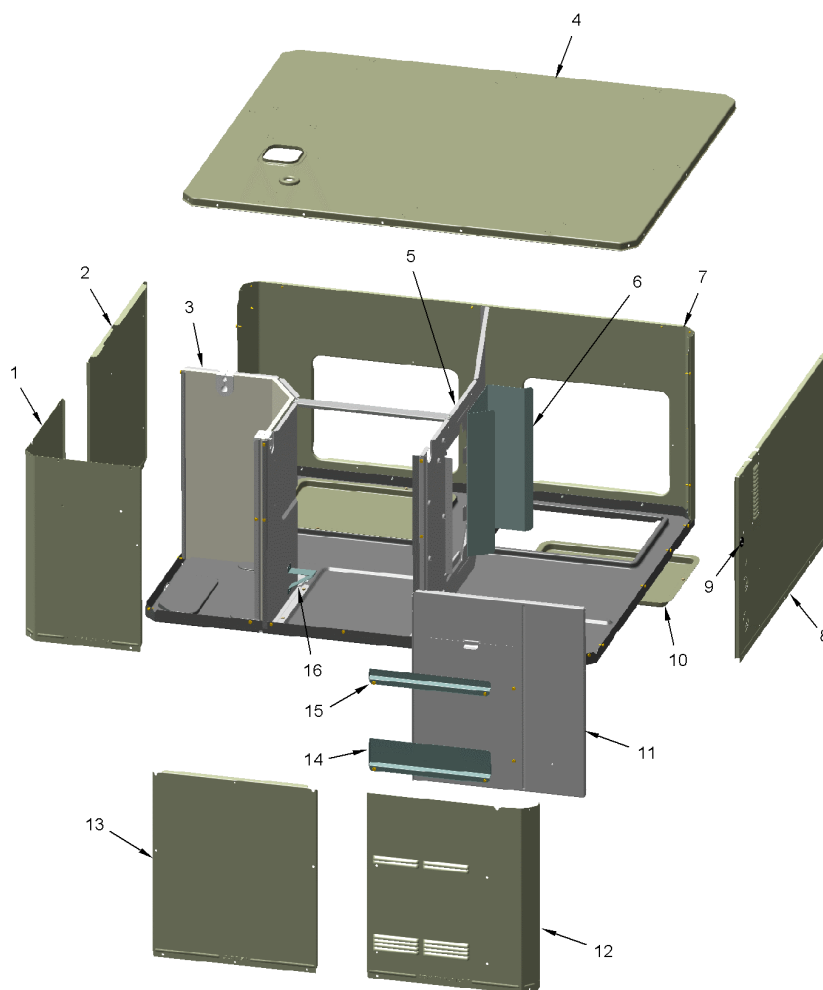
Model Number :4TCC4030A1000AA

Part No.	Reference No.	Quantity	Description
75010713_4TCC4UP1_249067~P	*		CABINET - LOWER PARTS LIST

CABINET
LOWER - INDOOR
TYPICAL ILLUSTRATION

75010713

REV.
A

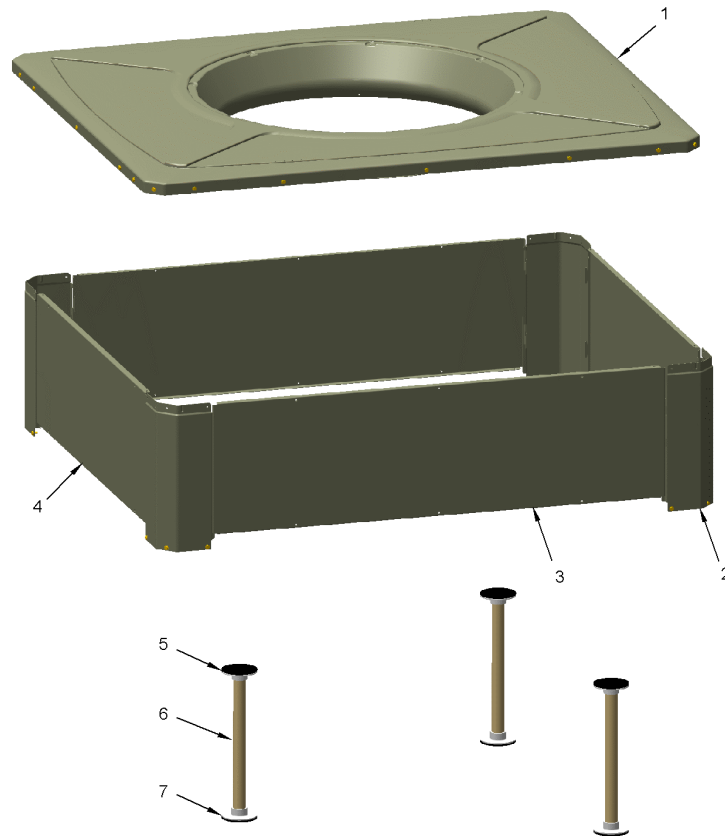


Part No.	Reference No.	Quantity	Description
PAI00074	*	1	PAINT; SPRAY, SLATE GREY, FULL GLOSS(88) (SHIPPING UOM 12 OZ HAZ)
PLT04112	*	1	PLATE; APPEARANCE NAMEPLATE, TRANE, 7.5 X 1.8
SCR01510	*	51	SCREW; 10-16 AB HXW 1/2 SN
SHD00397	*	1	SHIELD; LOUVER, TOP, 5.0 X 1.9
PNL21998	1	1	PANEL; COMPRESSOR ACCESS, 20.7 X 12.7 & 20.7 X 15.5
PNL22039	2	1	PANEL; INDOOR COIL ACCESS, 22.42 X 20.70
PNL28755	3	1	PANEL; COMPRESSOR BARRIER, 27.22 W X 21.15 H
COV03696	4	1	COVER; INDOOR, TOP, 48.61 X 41.08
PNL26584	5	1	PANEL; BLOWER BARRIER, 41.05 X 21.15
BAF01378	6	1	BAFFLE; AIR, 16.00 X 8.50
PNL22197	7	1	PANEL; SUPPLY AND RETURN, 48.41 X 20.88
PNL22036	8	1	PANEL; ELECTRIC HEAT ACCESS, 35.49 X 20.91
GRM00118	9	1	GROMMET; 3/16 IN ID, NEOPRENE
COV03698	10	2	COVER; SUPPLY AND RETURN, 15.88 X 11.88
PLT04182	11	1	PLATE; ELECTRIC HEATER, 21.15 x 18.30. INCLUDES BARRIER AND PLATE
SCR01510	11	12	SCREW; 10-16 AB HXW 1/2 SN
PNL22041	12	1	PANEL; CONTROL/HEAT ACCESS, 17.93 X 20.70
PNL22013	13	1	PANEL; BLOWER ACCESS, 17.63 X 20.70
SHD00395	14	1	SHIELD; LOUVER, CONTROL ACCESS PANEL, 12.95 X 3.40
SHD00396	15	1	SHIELD; LOUVER, CONTROL ACCESS PANEL, 12.95 X 1.50
BRK03541	16	1	BRACKET; BLOWER SUPPORT, V-SHAPED, 3.13 X 2.75 X 1.50

CABINET
UPPER - OUTDOOR
TYPICAL ILLUSTRATION

75010703

REV.
A



Parts List Number :75010714#4TCC4UP1

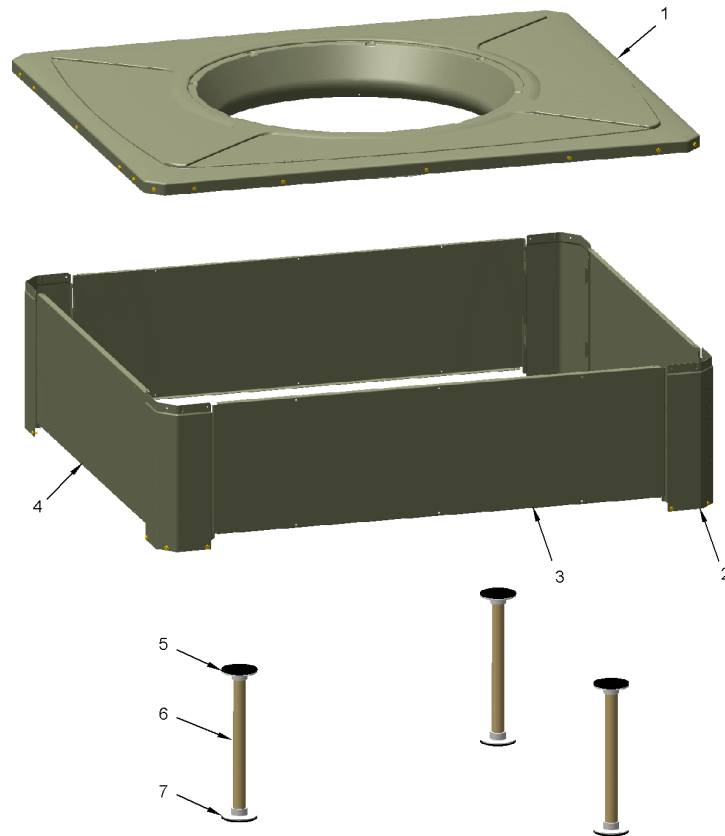
Model Number :4TCC4030A1000AA

Part No.	Reference No.	Quantity	Description
75010703_4TCC4UP1_249065~P	*		CABINET - UPPER PARTS LIST

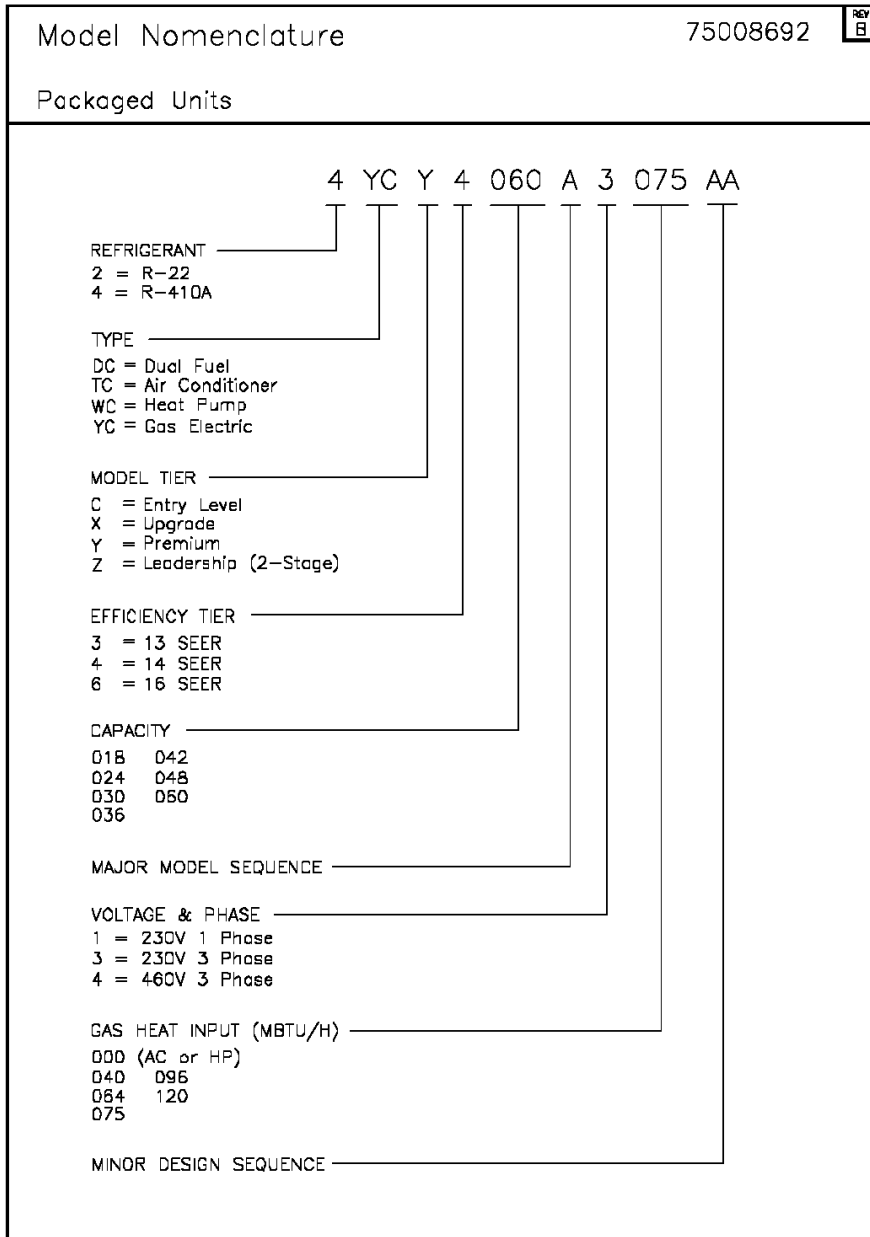
CABINET
UPPER - OUTDOOR
TYPICAL ILLUSTRATION

75010703

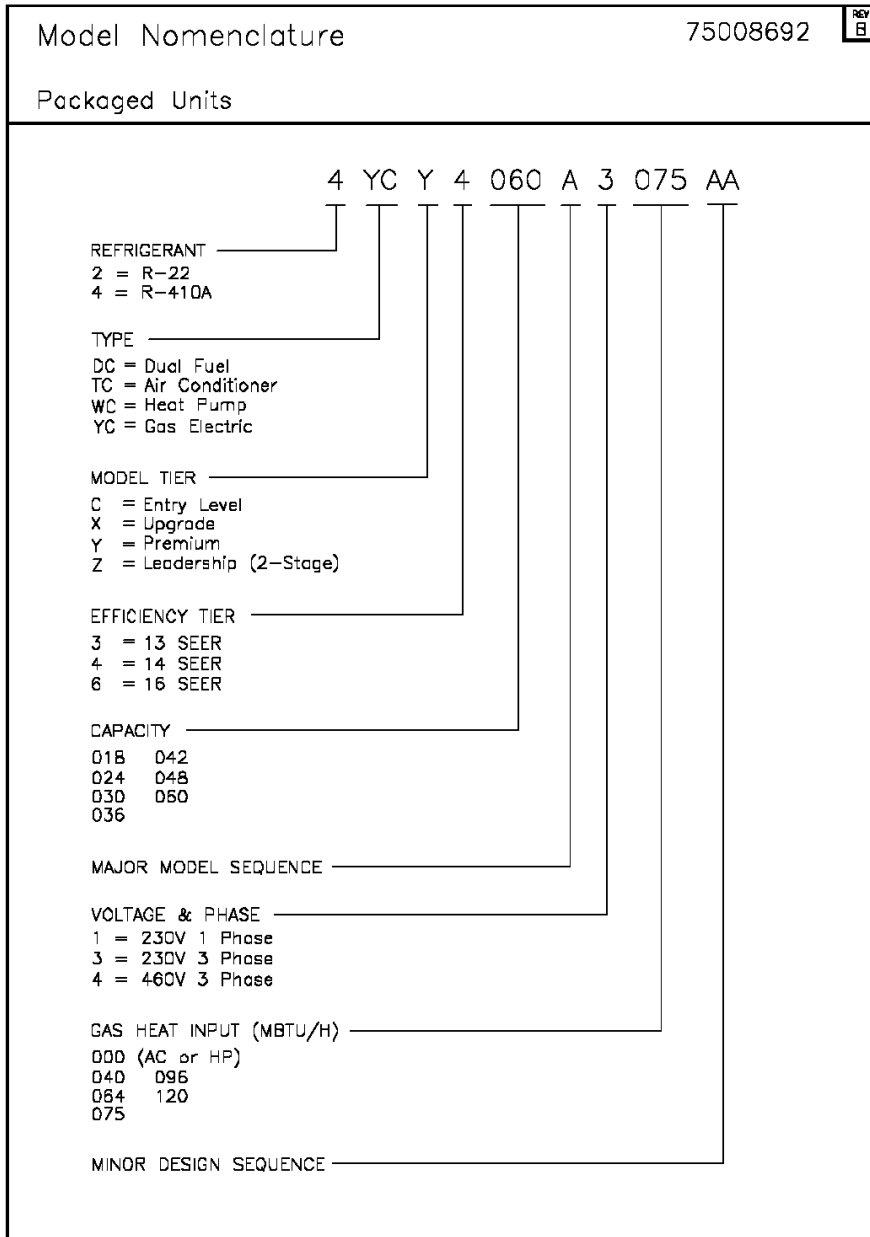
REV.
A



Part No.	Reference No.	Quantity	Description
SCR01510	*	24	SCREW; 10-16 AB HXW 1/2 SN
COV03694	1	1	COVER; OUTDOOR, TOP, 48.61 X 41.08
PNL22001	2	4	PANEL; CORNER POST, 11.84 H
PNL22010	3	2	PANEL; METAL LOUVER, 39.53 X 11.40
PNL22006	4	2	PANEL; METAL LOUVER, 32.00 X 11.40
SUP05919	5	3	SUPPORT; OUTDOOR COIL, 3.0 DIA, WITH GASKET
TUB12006	6	3	TUBE; SUPPORT, TOP PIPE, .75 DIA, SCHEDULE 40 GREY PVC, 12.46 INCHES
SUP05918	7	3	SUPPORT; OUTDOOR COIL, 3.0 DIA, WITH GASKET



Part No.	Reference No.	Quantity	Description
75008692_4TCC4UP1_239395~P	*		MODEL NUMBER DESCRIPTION PARTS LIST



OPTIONAL EQUIPMENT

Parts List Number :75010714#4TCC4UP1

Model Number :4TCC4030A1000AA

Part No.	Reference No.	Quantity	Description
NGRAPHIC_4TCC4UP1_278697~ P	*		OPTIONAL EQUIPMENT PARTS LIST

NO GRAPHIC AVAILABLE

75013702

REV
A

**NO
GRAPHIC
AVAILABLE**

Part No.	Reference No.	Quantity	Description
BAYUV101A	*	1	25 WATT UV LIGHT KIT FOR SMALL PACKAGED UNITS
ECN00111	*	1	ECONOMIZER; DOWN DISCHARGE, AND RAIN HOOD (BAYECON101AA)
ECN00113	*	1	ECONOMIZER; HORIZONTAL (BAYECON200AA)
KIT03361	*	1	KIT; LIFTING LUGS-BAYLIFT002B (CTN = 6 PIECES)
KIT06658	*	1	KIT; ENTHALPY CONTROL (BAYENTH001AB)
KIT13551	*	1	KIT; CURB ADAPTER (BAYADAP050AA)
KIT13552	*	1	KIT; CURB ADAPTER (BAYADAP051AA)
KIT13559	*	1	KIT; 12 INCH DUCT SHROUD COVERS HORIZONTAL (BAYCOVR112AA)
KIT13560	*	1	KIT; 18 INCH DUCT SHROUD COVERS HORIZONTAL (BAYCOVR118AA)
KIT13561	*	1	KIT; FULL PERIMETER ROOF MOUNTING CURB (BAYCURB050AA)
KIT13563	*	1	KIT; OUTSIDE AIR, 2 POS DAMPER (BAYDMPR101AA)
KIT13565	*	1	KIT; EXTREME CURB MOUNTING (BAYEXMK001AA)
KIT13567	*	1	KIT; EXTREME CURB MOUNTING (BAYEXMK003AA)
KIT13571	*	1	KIT; OUTSIDE AIR, MANUAL DAMPER (BAYOSAH001AA)
KIT13573	*	1	KIT; QUICK START (BAYQSTK300AA)
KIT13575	*	1	KIT; SQUARE/ROUND DUCT ADAPTER (BAYSQRD001AA)
KIT13640	*	1	KIT; LOW AMBIENT COOLING, HEAD PRESSURE CONTROL (BAYLOAM105AA)
KIT15096	*	1	KIT; FILTER FRAME (BAYFLTR101BA). USE ONE 20 X 25 FILTER - NOT INCLUDED.
KIT15141	*	1	KIT; ACCESS DOOR, 1-1/2 TO 3 TON MODELS (BAYACCDOR1AA)
KIT15323	*	1	KIT; EXTREME CURB MOUNTING (BAYEXMK002BA)
KIT15325	*	1	KIT; SQUARE/ROUND DUCT ADAPTER (BAYUTIL101BA)
KIT15403	*	1	KIT; ECONOMIZER, HINGED FILTER ACCESS DOOR AND FILTER FRAME (BAYECONCOMB101A)
KIT15752	*	1	KIT; SUMP HEATER, 208/230V, 40W, BELLY BAND STYLE (BAYCCHT302), 74 IN LENGTH, 5.5 INCH DIA
KIT16161	*	1	KIT; SINGLE POWER ENTRY (BAYSPEK060F)
KIT16163	*	1	KIT; SINGLE POWER ENTRY (BAYSPEK063F)
KIT17662	*	1	KIT;CRANKCASE HEATER (BAYCCHT103A)
RLY01652	*	1	RELAY; KIT (BAYRLAY004AA)
THT00839	*	1	THERMOSTAT; REMOTE POTENTIOMETER, 60-90 DEG F (BAYSTAT023AA)