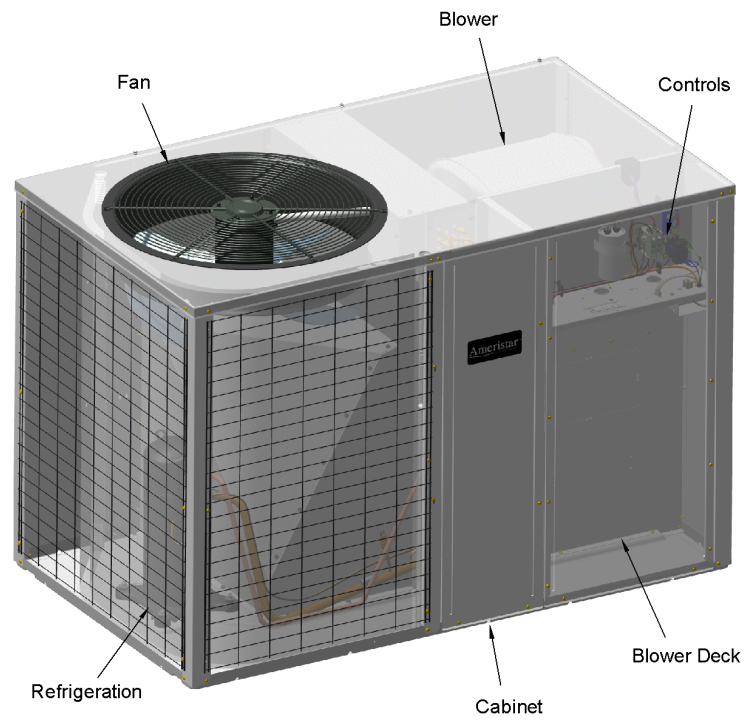


14 SEER PACKAGED UNIT
AMERISTAR

75013624

RP
A



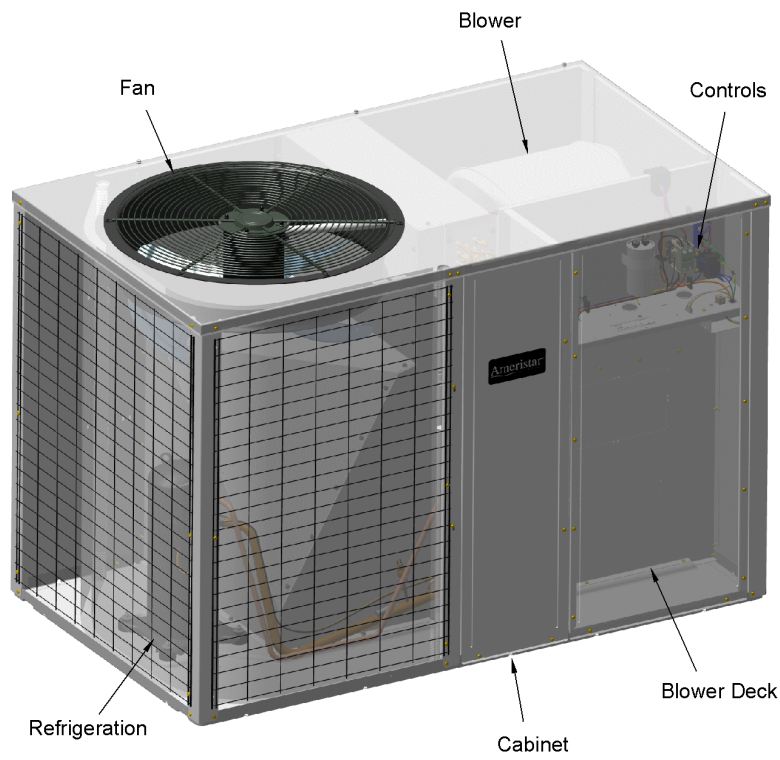
This is a typical illustration. The unit in the field may not appear exactly as shown.

Part No.	Reference No.	Quantity	Description
75013636#4TCA4UP1~S	*		BLOWER DECK
75013634#4TCA4UP1~S	*		BLOWER
75013628#4TCA4UP1~S	*		CABINET
75013627#4TCA4UP1~S	*		CONTROLS
75013632#4TCA4UP1~S	*		FAN
75013624_4TCA4UP1_178663~P	*		GENERAL ASSEMBLY GRAPHIC
75011470#4TCA4UP1~S	*		MODEL NUMBER DESCRIPTION
NGRAPHIC#4TCA4UP1~S	*		OPTIONAL EQUIPMENT
75013631#4TCA4UP1~S	*		REFRIGERATION

14 SEER PACKAGED UNIT

75013624

REV
B

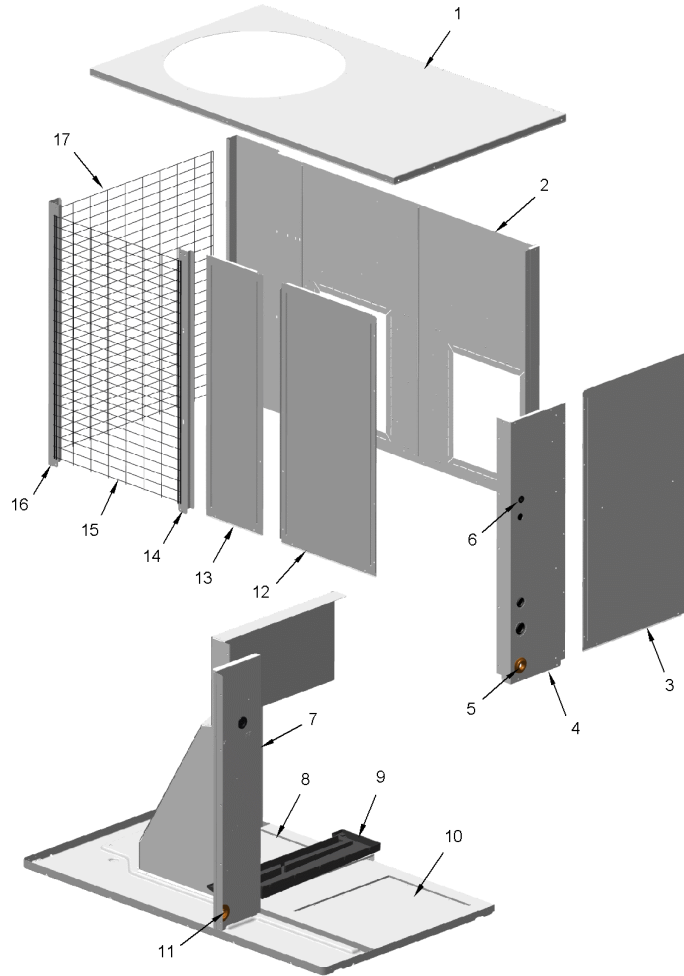


This is a typical illustration. The unit in the field may not appear exactly as shown.

CABINET

75013628

RP
A



This is a typical illustration. The unit in the field may not appear exactly as shown.

Parts List Number :75013624#4TCA4UP1

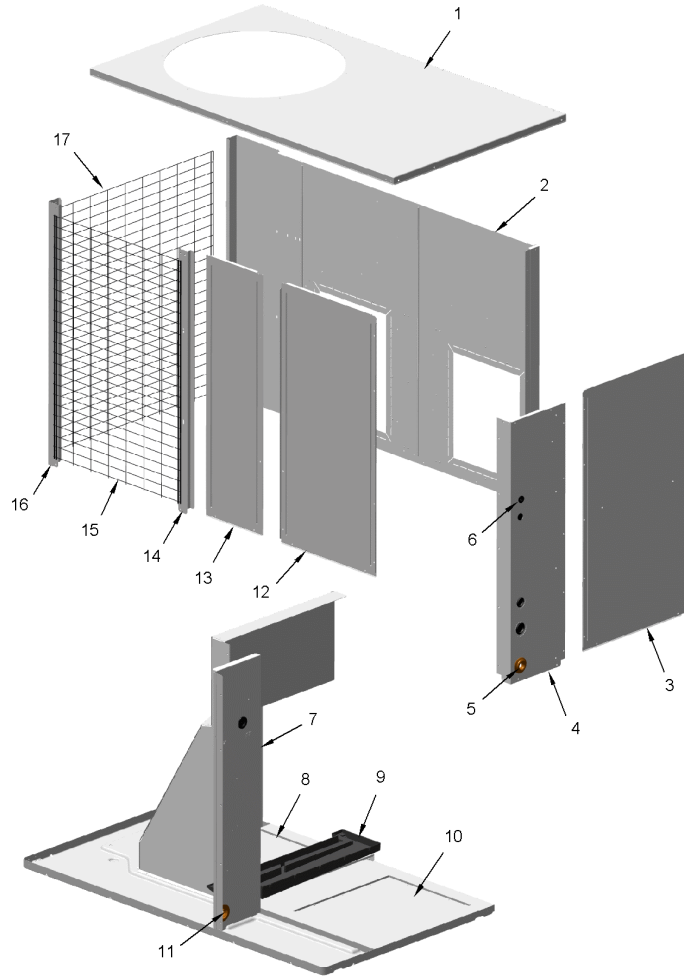
Model Number :4TCA4048A1000AA

Part No.	Reference No.	Quantity	Description
75013628_4TCA4UP1_244016~P	*		CABINET PARTS LIST

CABINET

75013628

RP
A



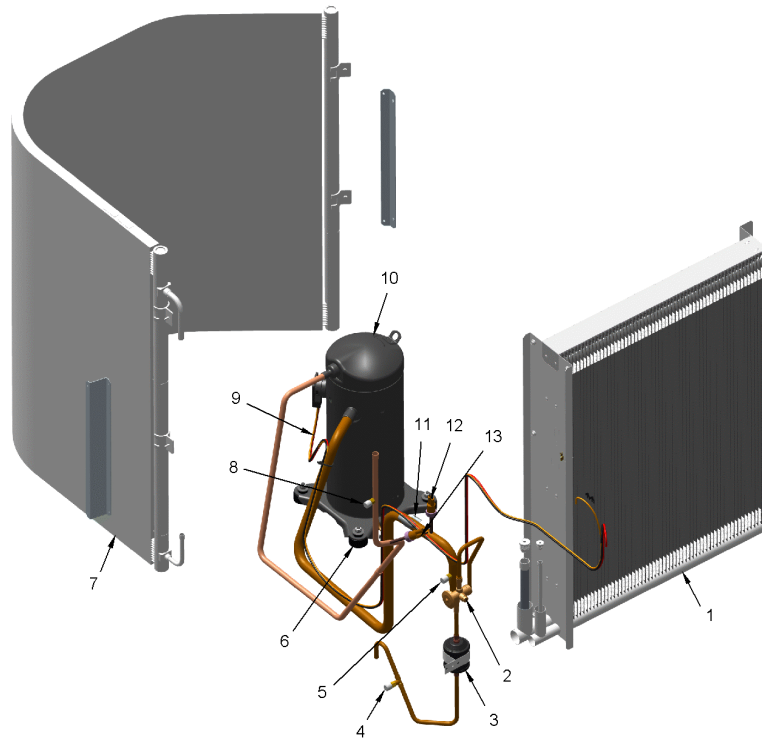
This is a typical illustration. The unit in the field may not appear exactly as shown.

Part No.	Reference No.	Quantity	Description
PLN01511	*	1	PLENUM; ASSY-SIDE
COV05735	1	1	COVER; TOP ASSY
PNL36688	2	1	PANEL; S&R PANEL ASSY
BLW01605	3	1	PANEL; BLOWER ACCESS
SUP06571	4	1	SUPPORT; CONTROL BOX CORNER POST
GRM00277	5	1	GROMMET; .96 ID X .05 - .12 GRV, 3/4 IPS
GRM00118	6	1	GROMMET; 3/16 IN ID, NEOPRENE
PNL36684	7	1	PANEL; CONTROL BOX SIDE
COV05736	8	1	COVER; ASSY S/R
PAN04208	9	1	PAN; PLASTIC DRAIN
COV05734	10	1	COVER; SUPPLY & RETURN ASSY
GRM00277	11	1	GROMMET; .96 ID X .05 - .12 GRV, 3/4 IPS
PNL36699	12	1	PANEL; ASSY, CONTROL BOX ACCESS
PNL36686	13	1	PANEL; COIL ACCESS
SUP06569	14	1	SUPPORT; MID-POST
GRL02233	15	1	GRILLE; OD WIRE
SUP06567	16	1	SUPPORT; CORNER POST
GRL02232	17	1	GRILLE; OD WIRE

REFRIGERATION

75013631

RP
A



This is a typical illustration. The unit in the field may not appear exactly as shown.

Parts List Number :75013624#4TCA4UP1

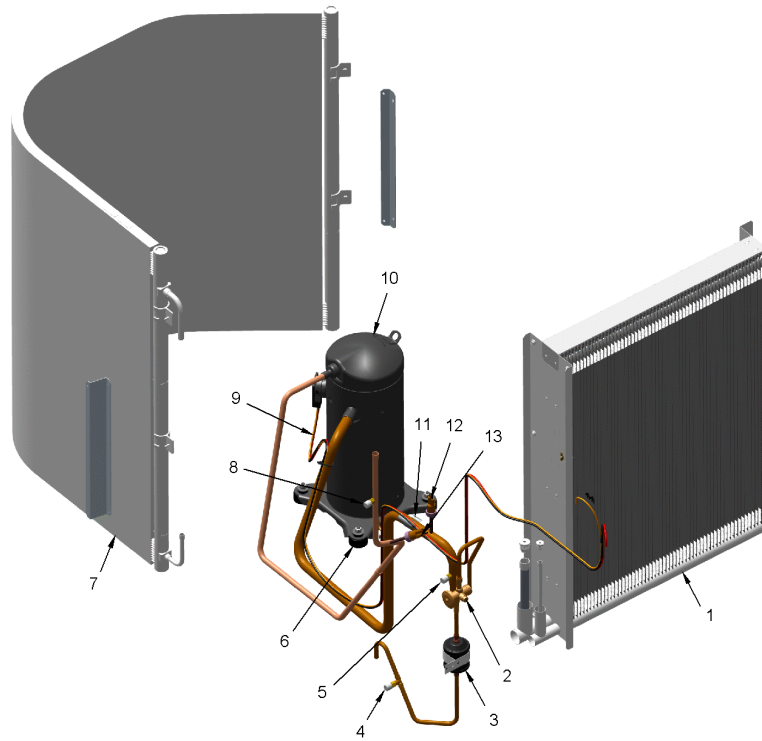
Model Number :4TCA4048A1000AA

Part No.	Reference No.	Quantity	Description
75013631_4TCA4UP1_244017~P	*		REFRIGERATION PARTS LIST

REFRIGERATION

75013631

RP
A



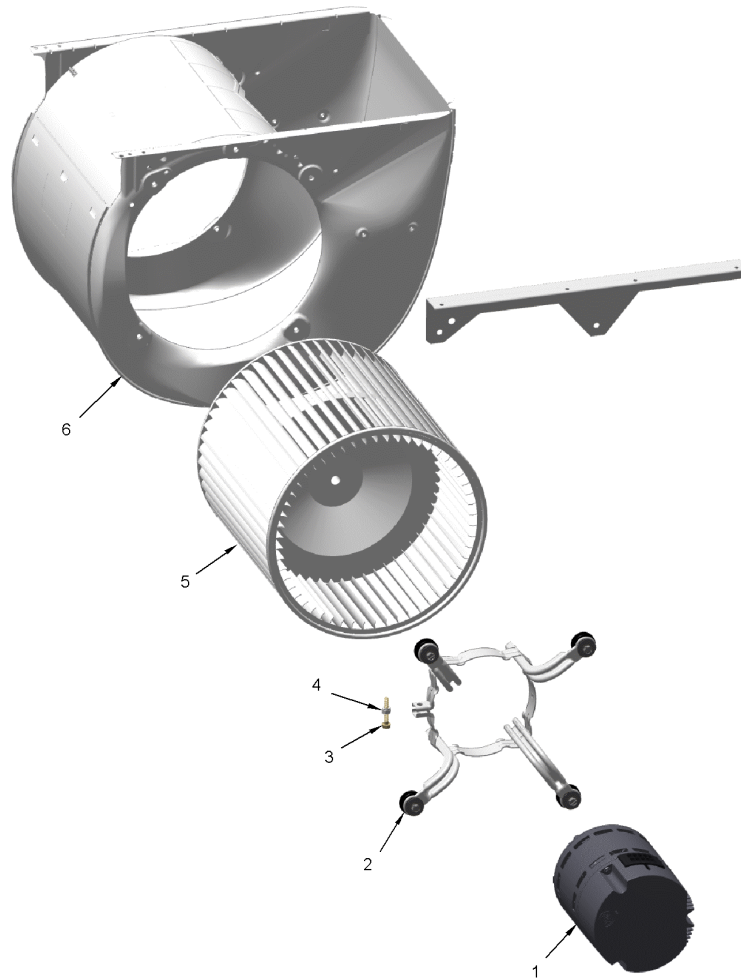
This is a typical illustration. The unit in the field may not appear exactly as shown.

Part No.	Reference No.	Quantity	Description
COL28930	1	1	COIL; MCHE ID (2R2G20.6-FPI16 22.7 X 30.9)
VAL19293	2	1	VALVE-EXPANSION CLG/R410A
DHY01619	3	1	DRIER; EXTERNAL
CAP00455	4	1	CAP; HUB, 7/16-20 STRAIGHT
COR00103	4	1	CORE; VALVE, .79 LENGTH, .206-36 UNS-1 MOD. THD
VAL01483	4	1	VALVE; BODY, .44-20 THD X .25 ODS, STRAIGHT, BRASS, LESS CORE
BOD00114	5	1	BODY; VALVE, BRASS, 7/16 HEX, 7/16 -20 UNF-2A
CAP00455	5	1	CAP; HUB, 7/16-20 STRAIGHT
COR00103	5	1	CORE; VALVE, .79 LENGTH, .206-36 UNS-1 MOD. THD
BLT00809	6	4	BOLT; CARRIAGE, 5/16-18 X 1-3/4
GKT01820	6	4	GASKET; 3/4 OD X 7/16 ID X .06 THK
ISR00007	6	4	ISOLATOR; VIBRATION
NUT00355	6	4	NUT; HEX, LOCK, 5/16IN.-18
NUT00890	6	4	NUT; PALLET, 5/16-18 UNC 2B THD.
WAS00638	6	4	WASHER; FLAT, 5/16 INCH
COL29172	7	1	COIL; MCHE OD COIL (2G25-FPI23 54 X 40)
BOD00114	8	1	BODY; VALVE, BRASS, 7/16 HEX, 7/16 -20 UNF-2A
CAP00455	8	1	CAP; HUB, 7/16-20 STRAIGHT
COR00103	8	1	CORE; VALVE, .79 LENGTH, .206-36 UNS-1 MOD. THD
WIR04816	9	1	WIRE; PLUG-SCROLL COMPRESSOR
COM11768	10	1	COMPRESSOR; SCROLL; ALLIANCE; SBA042B1CPA; 3.5 TON; 57,200 BTUH; 208/230-60-1; R-410A; BRAZED; SUCTION 7/8; DISCHARGE 1/2; RLA 21.8
CLP01073	11	1	CLIP; BULB (RED)
SWT04404	12	1	SWITCH; LOW PRESSURE
SWT03274	13	1	SWITCH, HIGH PRESSURE, SPST, OPEN @ 650 PSIG, CLOSE @ 500 PSIG, 75" YELLOW LEAD

BLOWER

75013634

RP
A



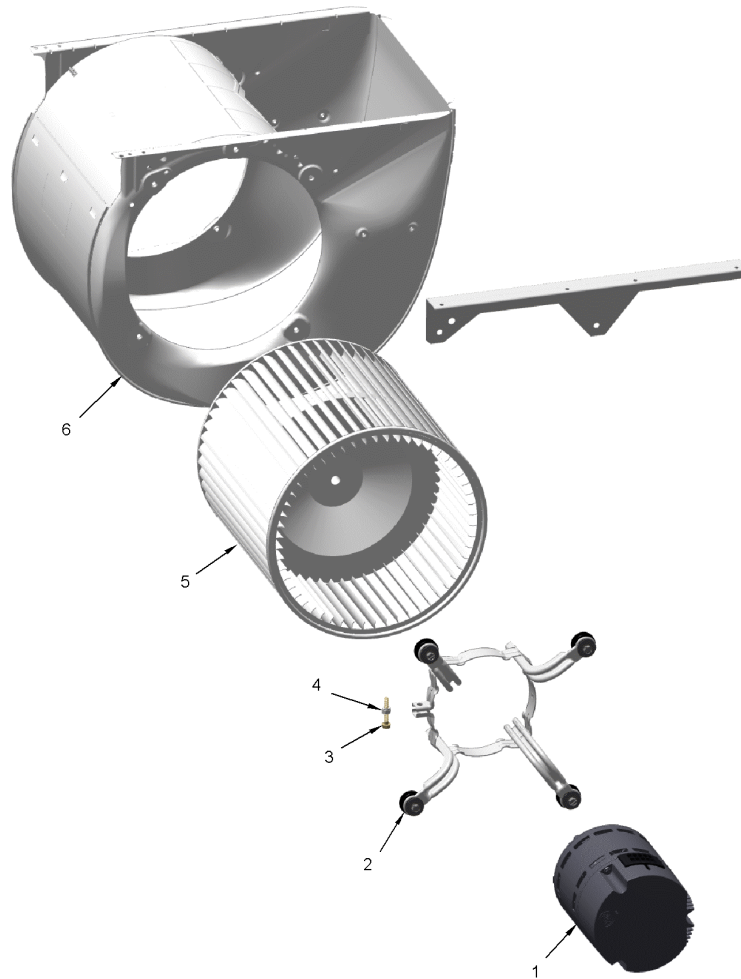
This is a typical illustration. The unit in the field may not appear exactly as shown.

Part No.	Reference No.	Quantity	Description
75013634_4TCA4UP1_244018~P	*		BLOWER PARTS LIST

BLOWER

75013634

RP
A



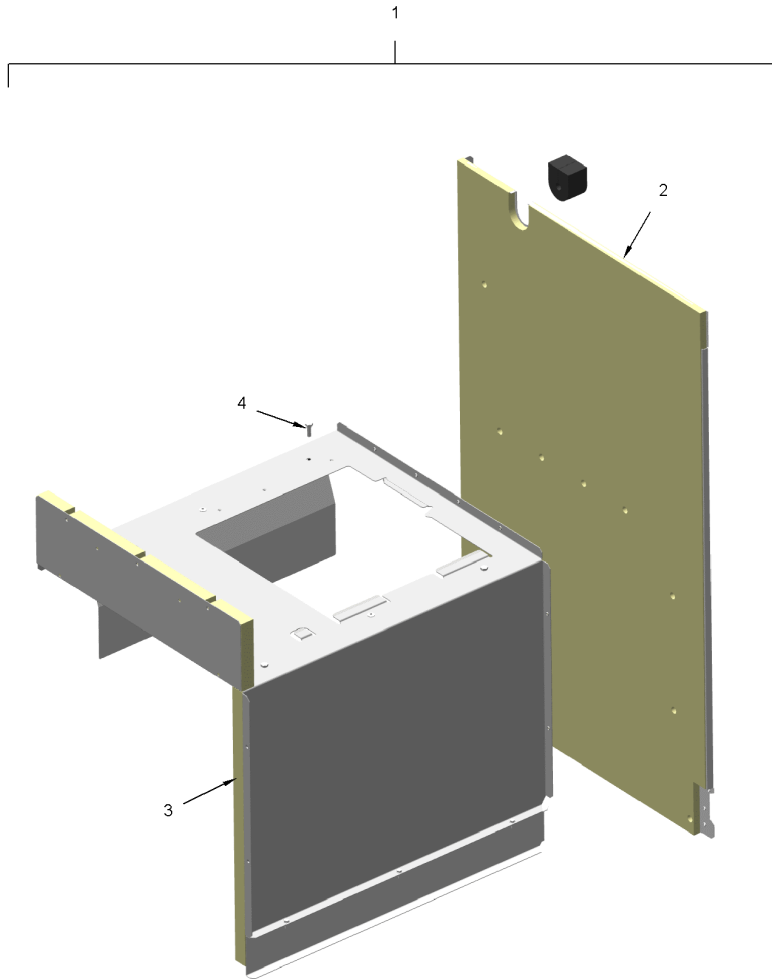
This is a typical illustration. The unit in the field may not appear exactly as shown.

Part No.	Reference No.	Quantity	Description
MOT19215	1	1	MOTOR; CONSTANT TORQUE, PROGRAMMED, 3/4 HP, 230/50-60/1, 48 FRAME, BALL BEARING
BND00932	2a	1	BAND; MOTOR MOUNT, 17.62 LENGTH
MOT19283	2b	4	MOUNT; MOTOR MOUNT BRACKET, LEG & SCREW ASM
SCR01584	3	1	BOLT; 1/4-20 MA HX 1.5 S
NUT01063	4	1	NUT; LOCKING NYLON
WHL03718	5	1	WHEEL; BLOWER, 11.95 IN DIA, 11.93 IN WIDTH, 0.50 IN BORE, 54 BLADES, CW
HUS04352	6	1	HOUSING; BLOWER, METAL, 12.125 INTERIOR WIDTH

BLOWER DECK

75013636

RP
A



This is a typical illustration. The unit in the field may not appear exactly as shown.

BLOWER DECK

Parts List Number :75013624#4TCA4UP1

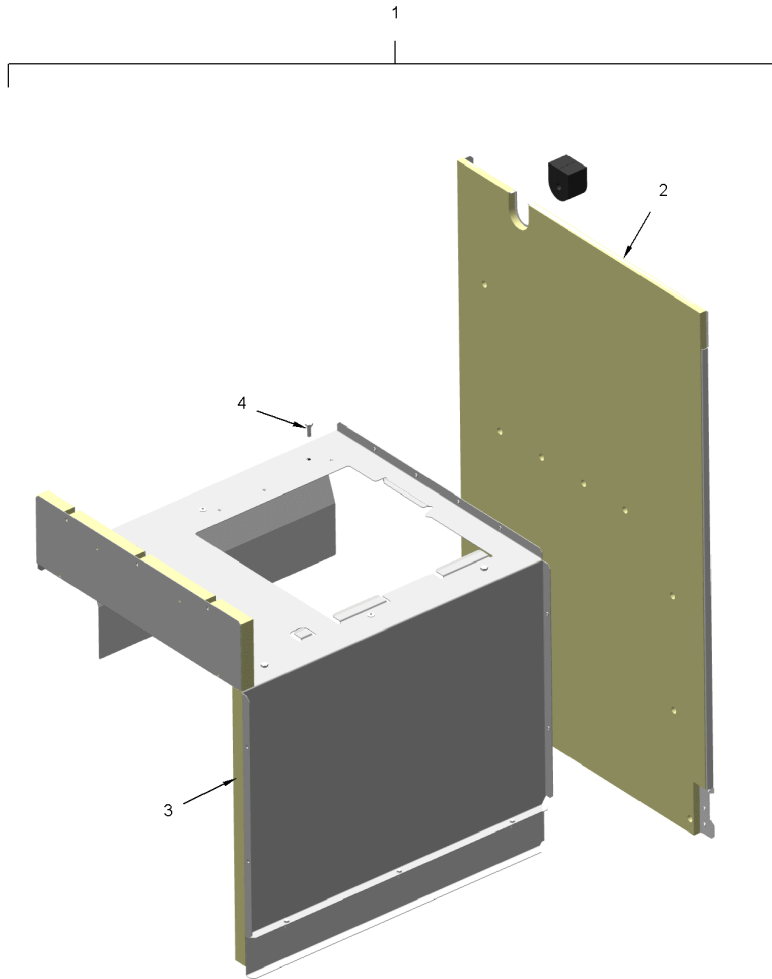
Model Number :4TCA4048A1000AA

Part No.	Reference No.	Quantity	Description
75013636_4TCA4UP1_244019~P	*		BLOWER DECK PARTS LIST

BLOWER DECK

75013636

RP
A



This is a typical illustration. The unit in the field may not appear exactly as shown.

BLOWER DECK PARTS LIST

Parts List Number :75013624#4TCA4UP1

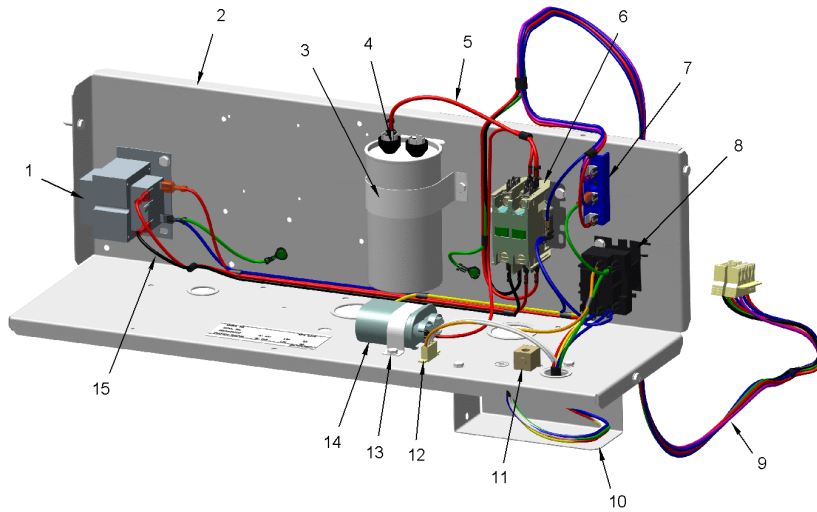
Model Number :4TCA4048A1000AA

Part No.	Reference No.	Quantity	Description
SCR02108	*	22	SCREW; SCR 10-16 AB HXW 5/8 S
PNL36693	1	1	PANEL; HX PANEL ASSY, BLOWER DECK
PNL36690	2	1	PANEL; HX PANEL ASSY
BLW01602	3	1	BLOWER; DECK ASSY
NUT01063	4	4	NUT; LOCKING NYLON

CONTROLS

75013627

RP
A



This is a typical illustration. The unit in the field may not appear exactly as shown.

Parts List Number :75013624#4TCA4UP1

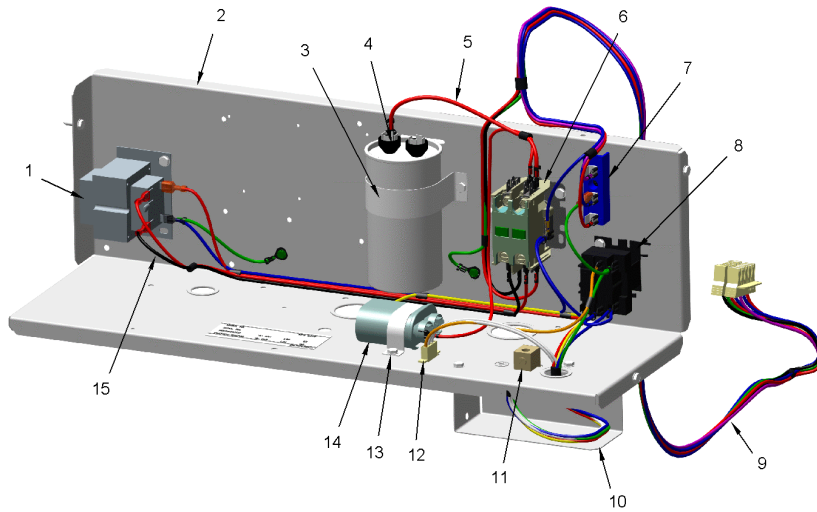
Model Number :4TCA4048A1000AA

Part No.	Reference No.	Quantity	Description
75013627_4TCA4UP1_244014~P	*		CONTROLS PARTS LIST

CONTROLS

75013627

RP
A



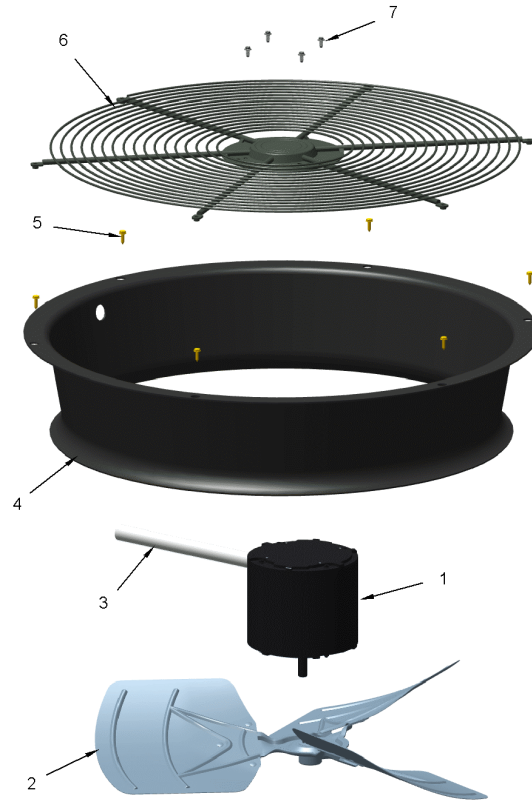
This is a typical illustration. The unit in the field may not appear exactly as shown.

Part No.	Reference No.	Quantity	Description
TRR02404	1	1	TRANSFORMER; 50VA, 208/240 V PRI, 24V SEC
BOX03840	2	1	BOX; CONTROL PANEL
SRP00093	3	1	STRAP;CAPACITOR
CPT02362	4	1	CAPACITOR; RUN, 70 MFD, 370V, OVAL, W/O RESISTOR
WIR09703	5	1	WIRE; HARNESS, CC TO CR
CTR01333	6	1	CONTACTOR; 2 POLE, NO, 40 FLA AT 240V, 50/60 HZ, 50 RES AMPS, 24V COIL, 40 FLA AT 277/480/600V
BRD00385	7	1	BOARD; TERMINAL, FAN, 24V, 3 POLE
RLY03876	8	1	RELAY;
WIR09687	9	1	WIRE; HARNESS, INDOOR MOTOR TO CC, FTB, WITH 2-5 PIN PLUGS
COV05654	10	1	COVER; LOW VOLTAGE BARRIER
LUG00014	11	1	LUG, GROUND
WIR09701	12	1	WIRE; HARN ASSY-24V / HTR CTRL (CC,FTB,H,TNS - TO HEATER HARNESS)
SRP00091	13	1	STRAP, CAPACITOR
CPT00477	14	1	CAPACITOR; RUN, 7.5 MFD, 370VAC, OVAL, W/O RESISTOR
WIR09689	15	1	WIRE; HARNESS, POWER, CC TO TNS, 2 WIRES-RD & BK

FAN

75013632

RP
A



This is a typical illustration. The unit in the field may not appear exactly as shown.

Parts List Number :75013624#4TCA4UP1

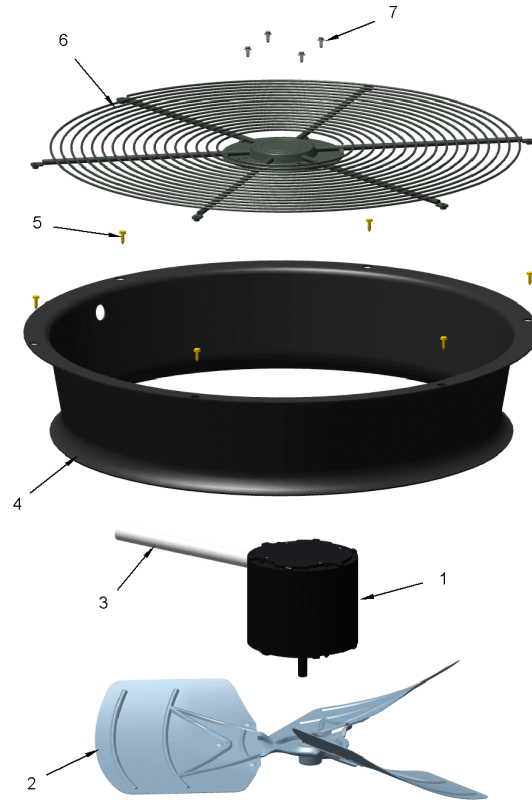
Model Number :4TCA4048A1000AA

Part No.	Reference No.	Quantity	Description
75013632_4TCA4UP1_181120~P	*		FAN PARTS LIST

FAN

75013632

RP
A



This is a typical illustration. The unit in the field may not appear exactly as shown.

Parts List Number :75013624#4TCA4UP1

Model Number :4TCA4048A1000AA

Part No.	Reference No.	Quantity	Description
MOT19173	1	1	MOTOR; 1/5 HP-48 FRAME PSC
FAN04004	2	1	FAN, 3 BLADE, ALUMINUM, 23" DIA, 29 DEGREES PITCH, .50" BORE, CCW, 1 SET SCREW-STEEL, SPIDER .057 THK, FINISH/PAINT
GRD02078	3	1	GUARD; THROUGHLEAD
ORF02078	4	1	ORIFICE-TOP
SCR02108	5	6	SCREW; SCR 10-16 AB HXW 5/8 S
GRL01863	6	1	GRILL; OUTDOOR FAN, WIRE, 26.85 MOUNTING DIA
SCR02086	7	4	SCREW; 10-32 TR-3 HXW 3/8 S

MODEL NUMBER DESCRIPTION	75011470	RB B
PACKAGED UNITS		
<i>Example Model Number:</i> 4 Y C Y 5 0 4 8 A 1 0 9 0 A A <small>1 - - - - 5 - - - - 10 - - - - 15</small>		
Digit 1 – Refrigerant 4 = R-410A		
Digit 2 – Type Y = Gas Electric W = Heat Pump D = Dual Fuel T = Air Conditioner		
Digit 3 – Model Tier C = Convertible H = Horizontal (only)		
Digit 4 – Model Tier C = Entry Level X = Upgrade Y = Premium Z = Leadership - (2-Stage) A = Ameristar		
Digit 5 – Efficiency Tier 3 = 13 SEER 4 = 14 SEER 5 = 15 SEER 6 = 16 SEER		
Digits 6,7,8 – Capacity in 1000's (BTUH) 018 042 024 048 030 060 036		
Digit 9 – Major Design Change		
Digit 10 – Voltage & Phase 1 = 230V 1 Phase 3 = 230V 3 Phase 4 = 460V 3 Phase		
Digit 11,12,13 – Gas Heat Input (MBTU/H) 000 (AC or HP) 075 040 096 064 120		
Digit 14 – Minor Design Change		
Digit 15 – Service Digit - Not Orderable		
1 of 1		

Part No.	Reference No.	Quantity	Description
75011470_4TCA4UP1_178664~P	*		MODEL NUMBER DESCRIPTION PARTS LIST

MODEL NUMBER DESCRIPTION	75011470	REV C
PACKAGED UNITS		
<i>Example Model Number:</i> 4 Y C Y 5 0 4 8 A 1 0 9 0 A A <small>1 - - - 5 - - - 10 - - - 15</small>		
Digit 1 – Refrigerant 4 = R-410A		
Digit 2 – Type Y = Gas Electric W = Heat Pump D = Dual Fuel T = Air Conditioner		
Digit 3 – Model Tier C = Convertible H = Horizontal (only)		
Digit 4 – Model Tier C = Entry Level X = Upgrade Y = Premium Z = Leadership - (2-Stage) A = RunTru Brand		
Digit 5 – Efficiency Tier 3 = 13 SEER 4 = 14 SEER 5 = 15 SEER 6 = 16 SEER		
Digits 6,7,8 – Capacity in 1000's (BTUH) 018 042 024 048 030 060 036		
Digit 9 – Major Design Change		
Digit 10 – Voltage & Phase 1 = 230V 1 Phase 3 = 230V 3 Phase 4 = 460V 3 Phase		
Digit 11,12,13 – Gas Heat Input (MBTU/H) 000 (AC or HP) 075 040 096 064 120		
Digit 14 – Minor Design Change		
Digit 15 – Service Digit - Not Orderable		
1 of 1		

OPTIONAL EQUIPMENT

Parts List Number :75013624#4TCA4UP1

Model Number :4TCA4048A1000AA

Part No.	Reference No.	Quantity	Description
NGRAPHIC_4TCA4UP1_244020~ P	*		OPTIONAL ACCESSORIES LIST

Part No.	Reference No.	Quantity	Description
BAYCCHT102A	*	1	KIT; CRANKCASE HEATER, 230V SCROLL COMPRESSORS (BAYCCHT102AA) 6.5-7.5 DIA, 60W, 110L
BAYCURB060A	*	1	KIT; ROOF CURB (BAYCURB060A)
BAYEXMK001A	*	1	KIT; EXTREME CONDITION MOUNTING KIT, USED WITH BAYCURB
BAYEXMK002B	*	1	KIT; EXTREME CONDITION MOUNTING KIT, USED WITH BAYUTIL
BAYEXMK003A	*	1	KIT; EXTREME CONDITION MOUNTING KIT, SLAB MOUNTING
BAYHTR1H08LUGA	*	1	HEATER-SUPPLY
BAYHTR1H10LUGA	*	1	HEATER-SUPPLY
BAYHTR1H15BRKA	*	1	HEATER 15KW-1PH
BAYHTR1H20BRKA	*	1	HEATER 20KW-1PH
BAYHTR1V05LUGA	*	1	HEATER-SUPPLY
BAYHTR1V08LUGA	*	1	HEATER-SUPPLY
BAYHTR1V10LUGA	*	1	HEATER-SUPPLY
BAYHTR1V15BRKA	*	1	HEATER 15KW-1PH
BAYHTR1V20BRKA	*	1	HEATER 20KW-1PH
BAYLOAM105A	*	1	KIT; LOW AMBIENT COOLING, HEAD PRESSURE CONTROL (BAYLOAM105AA)
BAYQSTK300A	*	1	KIT; QUICK START (BAYQSTK300AA)
BAYSPEK071A	*	1	KIT; SINGLE POWER ENTRY (BAYSPEK071A)
BAYSPEK072A	*	1	KIT; SINGLE POWER ENTRY (BAYSPEK072A)
BAYSQRD002A	*	1	KIT; SQUARE/ROUND DUCT ADAPTER (BAYSQRD002AB)
BAYUTIL103A	*	1	KIT; ROOF CURB UTILITY EXTENSION KIT (BAYUTIL103A)