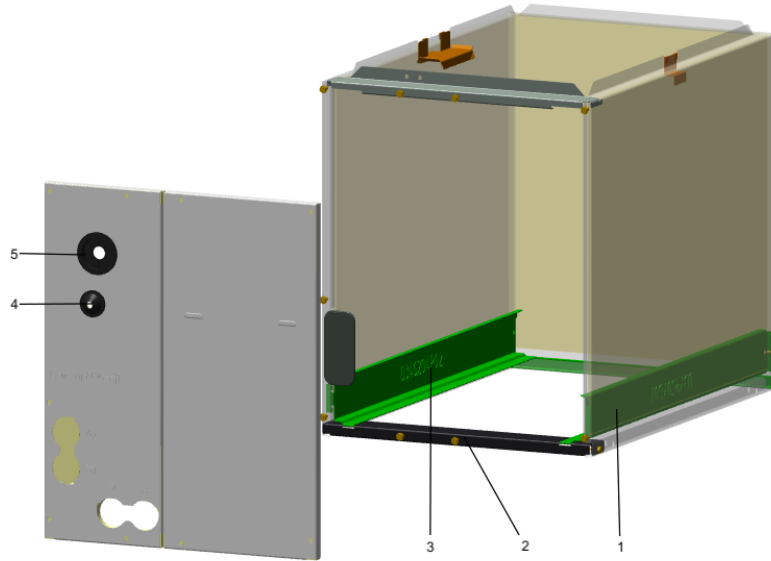


Parts List Number :0000195456

Model Number :4PXCCU30BS3HABA

| Part No. | Reference No. | Quantity | Description |
|-----------------|----------------------|-----------------|--------------------|
| 0000195457~S | * | | CABINET |
| 0000195463~S | * | | COIL |

| Part No. | Reference No. | Quantity | Description |
|--------------|---------------|----------|-------------------------------|
| 0000053517~P | * | | CASED COIL CABINET PARTS LIST |



| Part No. | Reference No. | Quantity | Description |
|-----------------|----------------------|-----------------|--------------------------------------|
| PLU01264 | | 1 | PLUG; PANEL PLUG, BLACK, 3.71 X 1.66 |
| SCR00965 | | 4 | SCREW, 10-16 AB HXW 1/2 S N |
| SCR00965 | | 9 | SCREW, 10-16 AB HXW 1/2 S N |
| SUP06650 | 1 | 1 | SUPPORT; COIL SHIELD |
| BRK05158 | 2 | 1 | BRACKET; BOTTOM |
| SUP06829 | 3 | 1 | SUPPORT; COIL SHIELD |
| GRM00864 | 4 | 1 | GROMMET; CONE GROMMET, LIQUID LINE |
| GRM00863 | 5 | 1 | GROMMET; SUCTION GROMMET |

| Part No. | Reference No. | Quantity | Description |
|--------------|---------------|----------|-----------------|
| 0000046436~P | * | | COIL PARTS LIST |



| Part No. | Reference No. | Quantity | Description |
|----------|---------------|----------|---|
| CMP01450 | * | 1 | CLAMP; HOSE, 11/16 - 1-1/4, 1/2 W, 5/16 HEX SCREW, STAINLESS STEEL |
| PLT05396 | * | 2 | PLATE; COIL BAFFLE-LOWER, 11.20 L X 3.50 H |
| PLT05409 | * | 2 | PLATE; COIL BAFFLE, TOP, 11.62 W X 8.39 H |
| SCR00965 | * | 22 | SCREW, 10-16 AB HXW 1/2 S N |
| SCR00969 | * | 4 | SCREW;10-16 BT HXW 5/8 S |
| TIE00026 | * | 1 | TIE; CABLE, 8-1/2IN. |
| BOD00114 | 7 | 1 | BODY; VALVE, BRASS, 7/16 HEX, 7/16 -20 UNF-2A |
| TUB13774 | 8 | 1 | TUBE; ASSEMBLY, LIQUID. INCLUDES FLANGE FITTING, HEX NUT AND INLET SCREEN |
| VAL12849 | 8A | 1 | VALVE; TEV HXCE 3 ZX200 B15 R410A |
| PAN03217 | 9 | 1 | PAN; DRAIN PAN ASSEMBLY, PLASTIC,19.78 X 21.10 X 2.54 |
| PLU00457 | 9A | 1 | PLUG; DRAIN PAN |