

| <b>Part No.</b>       | <b>Reference No.</b> | <b>Quantity</b> | <b>Description</b>              |
|-----------------------|----------------------|-----------------|---------------------------------|
| 75010728#4PXAUP1~S    | *                    |                 | COIL CABINET                    |
| 75010724#4PXAUP1~S    | *                    |                 | COIL                            |
| 4PXA_4PXAUP1_123349~P | *                    |                 | HIGH EFFICIENCY COIL PARTS LIST |
| 75010729#4PXAUP1~S    | *                    |                 | MODEL NUMBER DESCRIPTION        |
| OPTION#4PXAUP1~S      | *                    |                 | OPTIONAL KITS                   |

NO GRAPHIC AVAILABLE

75013702

REV  
A

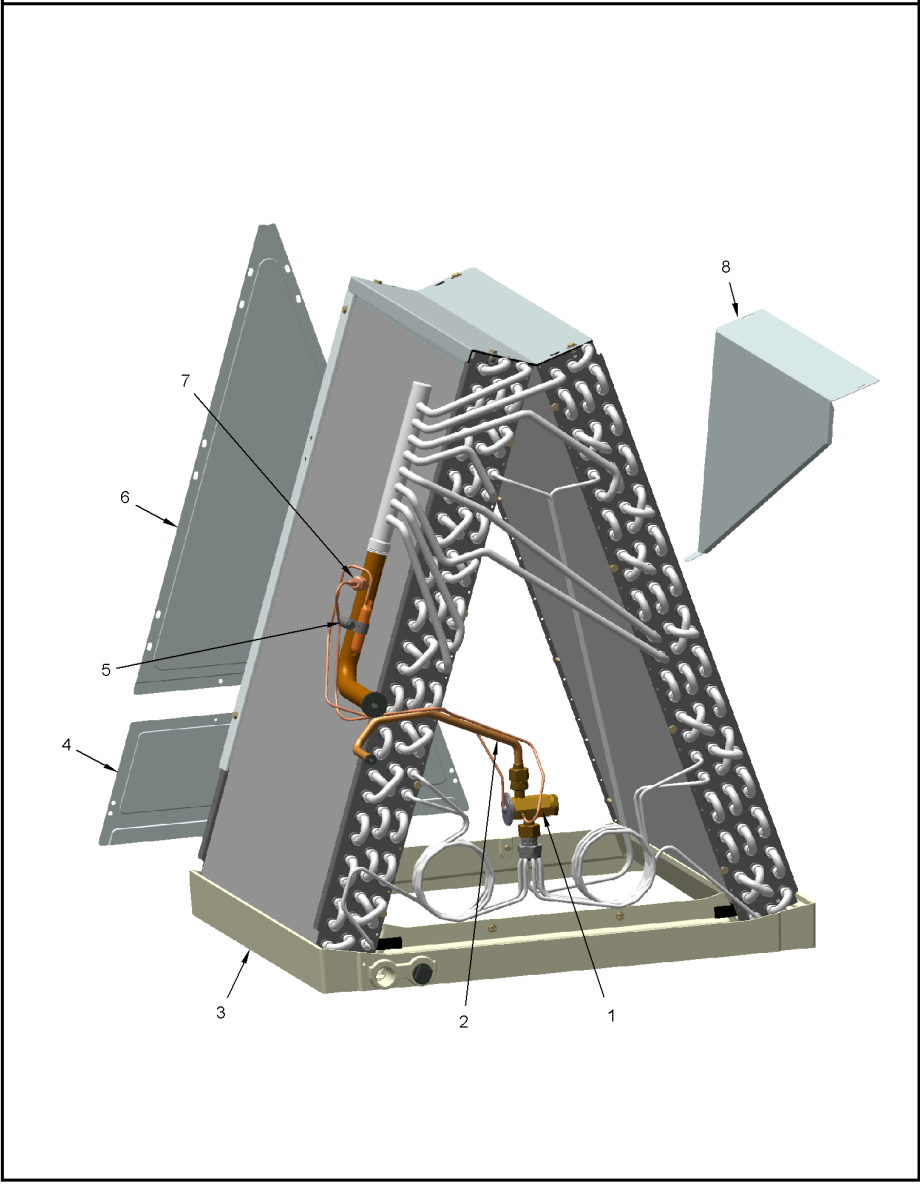
**NO  
GRAPHIC  
AVAILABLE**

HIGH EFFICIENCY COIL

75010724

REV.  
A

TYPICAL ILLUSTRATION



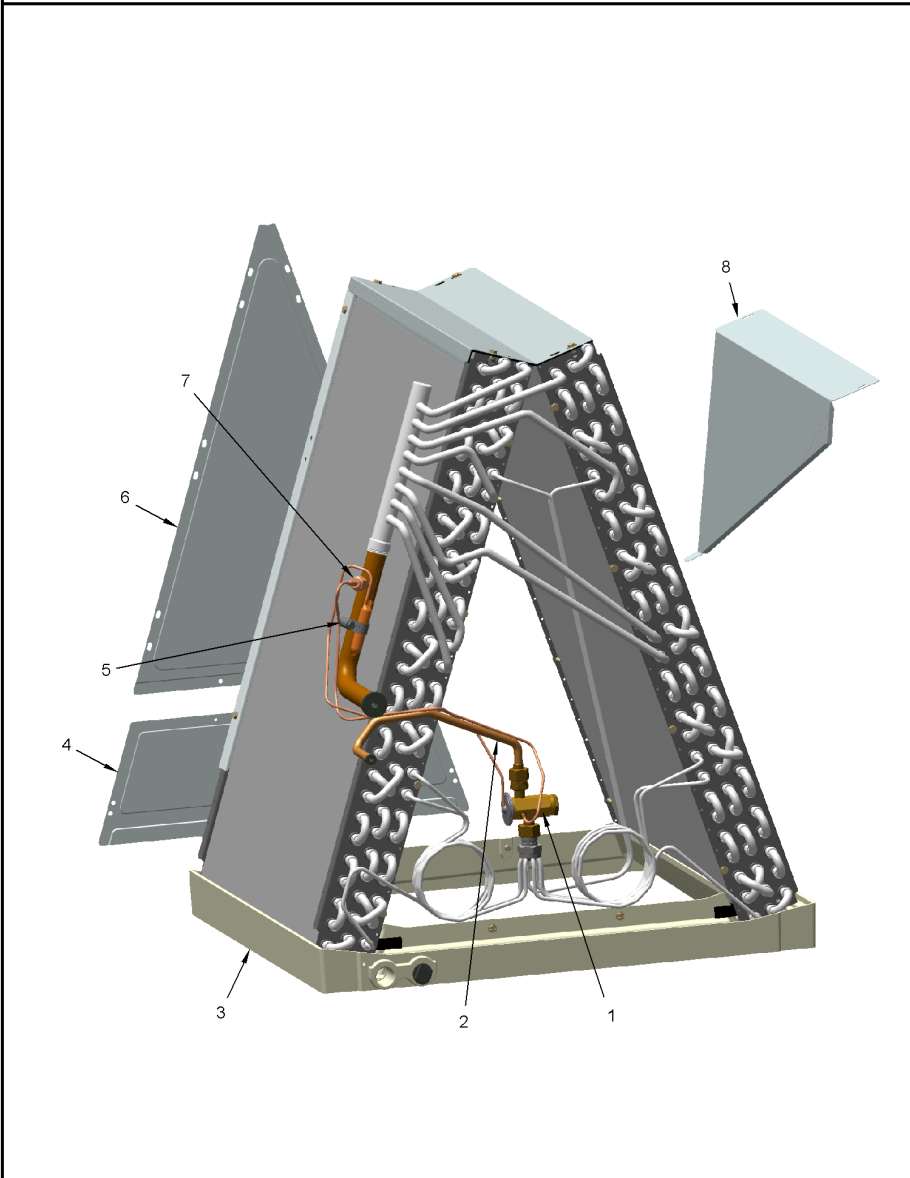
| Part No.                  | Reference No. | Quantity | Description     |
|---------------------------|---------------|----------|-----------------|
| 75010724_4PXAUP1_319280~P | *             |          | COIL PARTS LIST |

HIGH EFFICIENCY COIL

75010724

REV.  
A

TYPICAL ILLUSTRATION



## COIL PARTS LIST

Parts List Number :4PXA#4PXAUP1

Model Number :4PXCCD48BS3HDAA

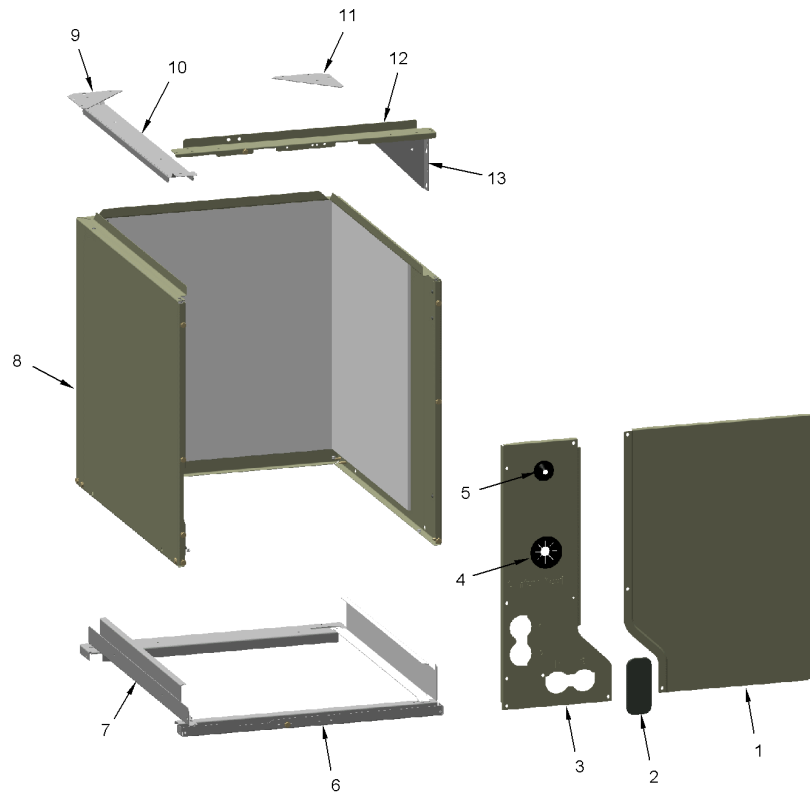
| Part No. | Reference No. | Quantity | Description   |
|----------|---------------|----------|---|
| SCR00965 | *             | 28       | SCREW, 10-16 AB HXW 1/2 S N   |
| SCR00969 | *             | 4        | SCREW;10-16 BT HXW 5/8 S  |
| VAL12309 | 1             | 1        | VALVE; TXV CHATLEFF, 6 TON, 79 PSIG OUTLET AT 32F, 15 PERCENT BLEED       |
| TUB13778 | 2             | 1        | TUBE; ASSEMBLY, LIQUID. INCLUDES FLANGE FITTING, HEX NUT AND INLET SCREEN |
| PAN03802 | 3             | 1        | PAN; DRAIN, WITH GASKETS, 19.78 X 21.29                                   |
| PLT05394 | 4             | 2        | PLATE; COIL BAFFLE-LOWER, 14.00 L X 5.50 H                                |
| CMP01450 | 5             | 1        | CLAMP; HOSE, 11/16 - 1-1/4, 1/2 W, 5/16 HEX SCREW, STAINLESS STEEL        |
| PLT05407 | 6             | 2        | PLATE; COIL BAFFLE, TOP, 11.04 W X 17.40 H                                |
| BOD00114 | 7             | 1        | BODY; VALVE, BRASS, 7/16 HEX, 7/16 -20 UNF-2A                             |
| BAF01223 | 8             | 1        | BAFFLE; TOP, 17.88 X 10.00 X 2.00 TRIANGULAR GALVANIZED SHEET METAL       |

COIL CABINET

75010728

REV.  
A

TYPICAL ILLUSTRATION



COIL CABINET

Parts List Number :4PXA#4PXAUP1

Model Number :4PXCCD48BS3HDAA

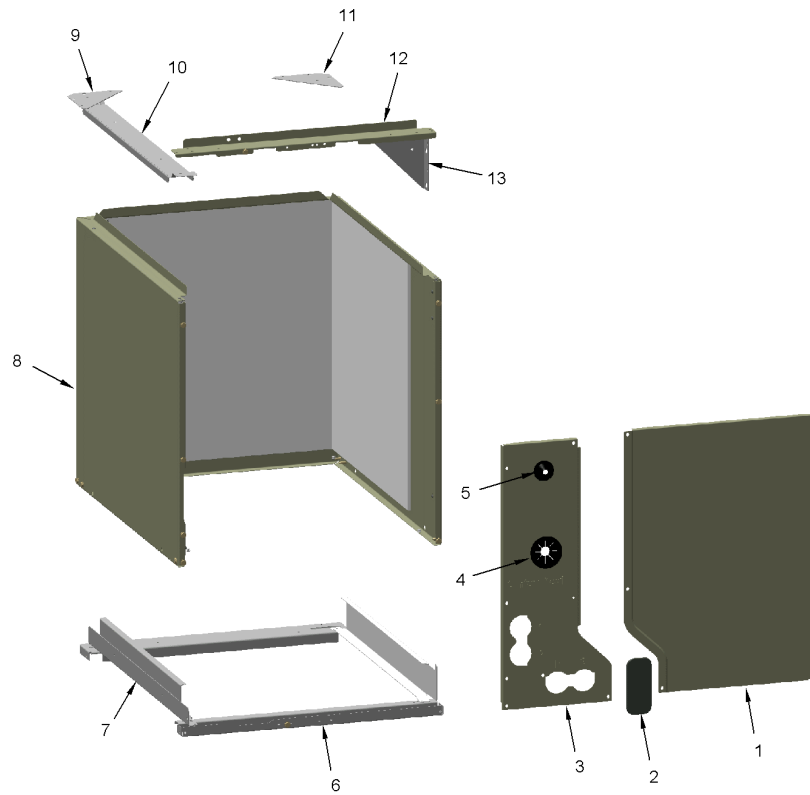
| Part No.                  | Reference No. | Quantity | Description             |
|---------------------------|---------------|----------|-------------------------|
| 75010728_4PXAUP1_211858~P | *             |          | COIL CABINET PARTS LIST |

COIL CABINET

75010728

REV.  
A

TYPICAL ILLUSTRATION



| Part No. | Reference No. | Quantity | Description   |
|----------|---------------|----------|---|
| INS02507 | 1             | 1        | INSULATION; FRONT   |
| PNL21803 | 1             | 1        | PANEL; RIGHT FRONT WITH INSULATION, 26.65 X 16.60. FOR PANEL ONLY ORDER PNL17604. |
| PLU01264 | 2             | 1        | PLUG; PANEL PLUG, BLACK, 3.71 X 1.66  |
| PNL31867 | 3             | 1        | PANEL; MANIFOLD, 26.59 X 7.15, INCLUDES (1) GRM00863 & (1) GRM00864               |
| GRM00863 | 4             | 1        | GROMMET; SUCTION GROMMET  |
| GRM00864 | 5             | 1        | GROMMET; CONE GROMMET, LIQUID LINE  |
| SUP04115 | 6             | 1        | SUPPORT; ANGLE, 20.94 X 13.75 X 0.80  |
| ANG01172 | 7             | 1        | ANGLE;  |
| PNL20190 | 8             | 1        | PANEL; WRAPPER, 21.36 L X 21.00 W X 26.75 H, W/O INSULATION                       |
| BRK01730 | 9             | 1        | BRACKET;  |
| ANG00695 | 10            | 1        | ANGLE;  |
| BRK01730 | 11            | 1        | BRACKET;  |
| CNL00442 | 12            | 1        | CHANNEL;  |
| BRK01706 | 13            | 1        | BRACKET;ANGLE ASSEMBLY  |

MODEL NUMBER DESCRIPTION

75010729

REV.  
A

Heat Pump / Cooling Coils

*Example Model Number:*

**4 T X C B 0 3 6 A C 3 H C A A**  
1 - - - 5 - - - 10 - - - 15

**Digit 1 – Refrigerant Type**

4 = R-410A

**Digit 2 – Series**

T = Premium (Heat Pump)  
N = Premium (Cooling and HP)  
P = Premium High Efficiency - Dedicated  
position (Cooling and HP)  
C = Standard (Cooling Only)  
F = Entry Level (Cooling Only)

**Digit 3 – Coil Design**

X = Direct Expansion Evaporator Coil

**Digit 4 – Coil Feature**

C = Cased A Coil  
A = Uncased A Coil  
F = Cased Horizontal Flat Coil

**Digit 5 – Coil Width (Cased/Uncased)**

A = 14.5" / 13.3"  
B = 17.5" / 16.3"  
C = 21.0" / 19.8"  
D = 24.5" / 23.3"  
H = 10.5"

**Digit 6 – Refrigerant Line Coupling / Airflow Configuration**

0 = Brazed  
U = Upflow only, convertible to Horizontal Left  
D = Downflow only, convertible to Horizontal  
Right

**Digits 7,8 – Nominal Capacity in 1000's (BTUH) / Model Number Distinguisher**

**Digit 9 – Major Design Change**

**Digit 10 – Efficiency**

C = Standard  
S = High Efficiency (derived from 10 SEER  
products)  
Z = High Efficiency (TXV modulates to 50%)

**Digit 11 – Refrigerant Control**

3 = TXV - Non-Bleed

**Digit 12 – Coil Circuitry**

H = Heat Pump  
C = Cooling

**Digit 13 – Airflow Configuration**

A = Upflow  
U = Upflow / Downflow  
D = Downflow  
R = Downflow / Horizontal Right  
H = Horizontal Left / Right  
C = Convertible - Upflow, Downflow,  
Left or Right

**Digit 14 – Minor Design Change**

**Digit 15 – Service Digit, Not Orderable**

| Part No.                  | Reference No. | Quantity | Description                         |
|---------------------------|---------------|----------|-------------------------------------|
| 75010729_4PXAUP1_123354~P | *             |          | MODEL NUMBER DESCRIPTION PARTS LIST |

MODEL NUMBER DESCRIPTION

75010729

REV.  
A

Heat Pump / Cooling Coils

*Example Model Number:*

**4 T X C B 0 3 6 A C 3 H C A A**  
1 - - - 5 - - - 10 - - - 15

**Digit 1 – Refrigerant Type**

4 = R-410A

**Digit 2 – Series**

T = Premium (Heat Pump)  
N = Premium (Cooling and HP)  
P = Premium High Efficiency - Dedicated  
position (Cooling and HP)  
C = Standard (Cooling Only)  
F = Entry Level (Cooling Only)

**Digit 3 – Coil Design**

X = Direct Expansion Evaporator Coil

**Digit 4 – Coil Feature**

C = Cased A Coil  
A = Uncased A Coil  
F = Cased Horizontal Flat Coil

**Digit 5 – Coil Width (Cased/Uncased)**

A = 14.5" / 13.3"  
B = 17.5" / 16.3"  
C = 21.0" / 19.8"  
D = 24.5" / 23.3"  
H = 10.5"

**Digit 6 – Refrigerant Line Coupling / Airflow Configuration**

0 = Brazed  
U = Upflow only, convertible to Horizontal Left  
D = Downflow only, convertible to Horizontal  
Right

**Digits 7,8 – Nominal Capacity in 1000's (BTUH) / Model Number Distinguisher**

**Digit 9 – Major Design Change**

**Digit 10 – Efficiency**

C = Standard  
S = High Efficiency (derived from 10 SEER  
products)  
Z = High Efficiency (TXV modulates to 50%)

**Digit 11 – Refrigerant Control**

3 = TXV - Non-Bleed

**Digit 12 – Coil Circuitry**

H = Heat Pump  
C = Cooling

**Digit 13 – Airflow Configuration**

A = Upflow  
U = Upflow / Downflow  
D = Downflow  
R = Downflow / Horizontal Right  
H = Horizontal Left / Right  
C = Convertible - Upflow, Downflow,  
Left or Right

**Digit 14 – Minor Design Change**

**Digit 15 – Service Digit, Not Orderable**

OPTIONAL KITS

Parts List Number :4PXA#4PXAUP1  
Model Number :4PXCCD48BS3HDAA

| Part No.                | Reference No. | Quantity | Description              |
|-------------------------|---------------|----------|--------------------------|
| OPTION_4PXAUP1_174455-P | *             |          | OPTIONAL KITS PARTS LIST |

NO GRAPHIC AVAILABLE

75013702

REV  
A

**NO  
GRAPHIC  
AVAILABLE**

| <b>Part No.</b> | <b>Reference No.</b> | <b>Quantity</b> | <b>Description</b>                     |
|-----------------|----------------------|-----------------|--|
| 2AYTXVH3H4248A  | *                    | 1               | KIT; FIELD MOUNTED TXV (R-22)          |
| BAYCONV27A      | *                    | 1               | KIT; HORIZONTAL CONVERSION, 4PXC COILS |
| BAYGSKT001A0    | *                    | 1               | KIT-DOWNFLOW INSULATE GSK              |