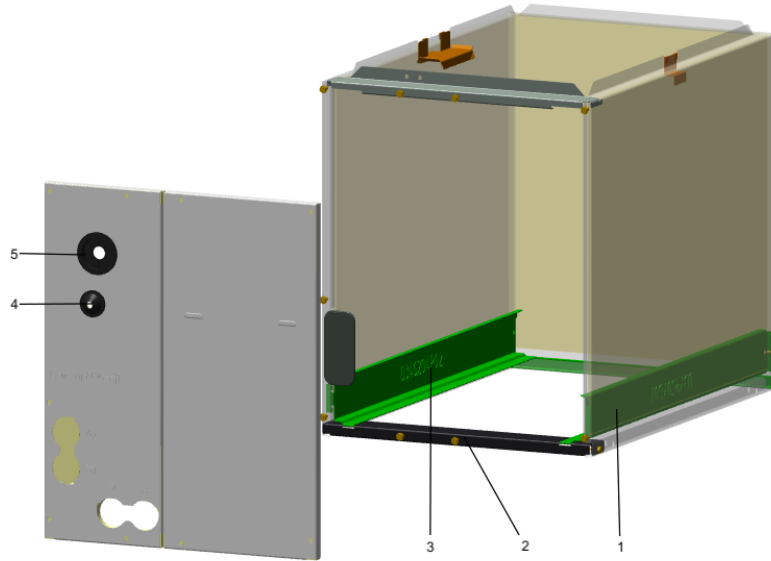


Part No.	Reference No.	Quantity	Description
0000195457~S	*		CABINET
0000195463~S	*		COIL

Parts List Number :0000195456

Model Number :4PXCCD42BS3HDBB

Part No.	Reference No.	Quantity	Description
0000053523~P	*		CASED COIL CABINET PARTS LIST



Part No.	Reference No.	Quantity	Description
CBT01953		1	WRAPPER; ASM-FRAMED WRAPPER UF-21.0" X 26.9"
PLU01264		1	PLUG; PANEL PLUG, BLACK, 3.71 X 1.66
SCR00965		4	SCREW, 10-16 AB HXW 1/2 S N
SUP06650	1	1	SUPPORT; COIL SHIELD
BRK05158	2	1	BRACKET; BOTTOM
SUP06829	3	1	SUPPORT; COIL SHIELD
GRM00864	4	1	GROMMET; CONE GROMMET, LIQUID LINE
GRM00863	5	1	GROMMET; SUCTION GROMMET

Part No.	Reference No.	Quantity	Description
0000046421~P	*		COIL PARTS LIST



Part No.	Reference No.	Quantity	Description
CMP01450	*	1	CLAMP; HOSE, 11/16 - 1-1/4, 1/2 W, 5/16 HEX SCREW, STAINLESS STEEL
PLT05397	*	2	PLATE; COIL BAFFLE-LOWER, 10.48 L X 5.50 H
PLT05410	*	2	PLATE; COIL BAFFLE, TOP, 10.78 W X 15.18 H
SCR00965	*	26	SCREW, 10-16 AB HXW 1/2 S N
SCR00969	*	4	SCREW;10-16 BT HXW 5/8 S
TIE00026	*	1	TIE; CABLE, 8-1/2IN.
BAF01453	5	1	BAFFLE; TOP, 18.79 X 5.90
BOD00114	7	1	BODY; VALVE, BRASS, 7/16 HEX, 7/16 -20 UNF-2A
TUB13776	8	1	TUBE; ASSEMBLY, LIQUID. INCLUDES FLANGE FITTING, HEX NUT AND INLET SCREEN
VAL12849	8A	1	VALVE; TEV HXCE 3 ZX200 B15 R410A
PAN03217	9	1	PAN; DRAIN PAN ASSEMBLY, PLASTIC,19.78 X 21.10 X 2.54
PLU00457	9A	1	PLUG; DRAIN PAN