

| Part No. | Reference No. | Quantity | Description |
|-----------------------|----------------------|-----------------|---------------------------------|
| 75010728#4PXAUP1~S | * | | COIL CABINET |
| 75010724#4PXAUP1~S | * | | COIL |
| 4PXA_4PXAUP1_123349~P | * | | HIGH EFFICIENCY COIL PARTS LIST |
| 75010729#4PXAUP1~S | * | | MODEL NUMBER DESCRIPTION |
| OPTION#4PXAUP1~S | * | | OPTIONAL KITS |

NO GRAPHIC AVAILABLE

75013702

REV
A

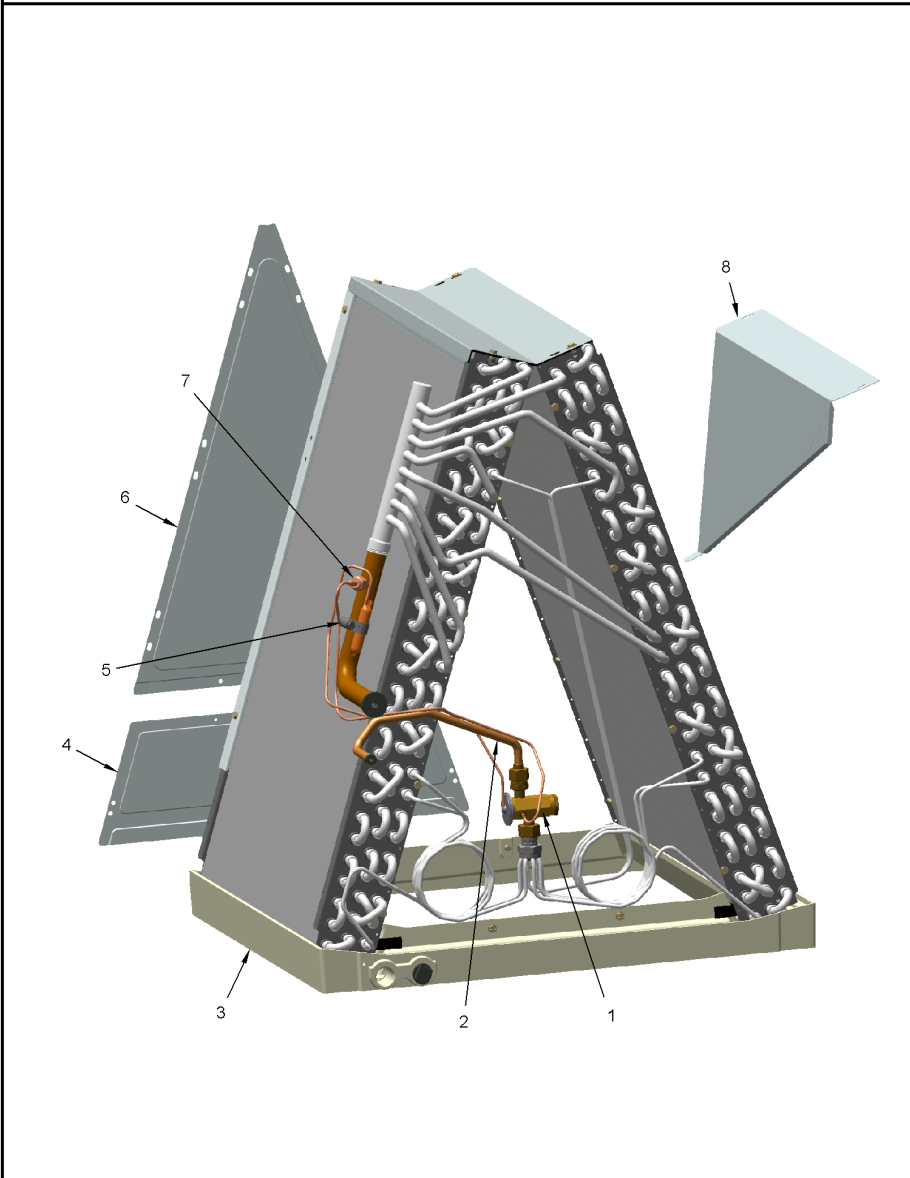
**NO
GRAPHIC
AVAILABLE**

HIGH EFFICIENCY COIL

75010724

REV.
A

TYPICAL ILLUSTRATION



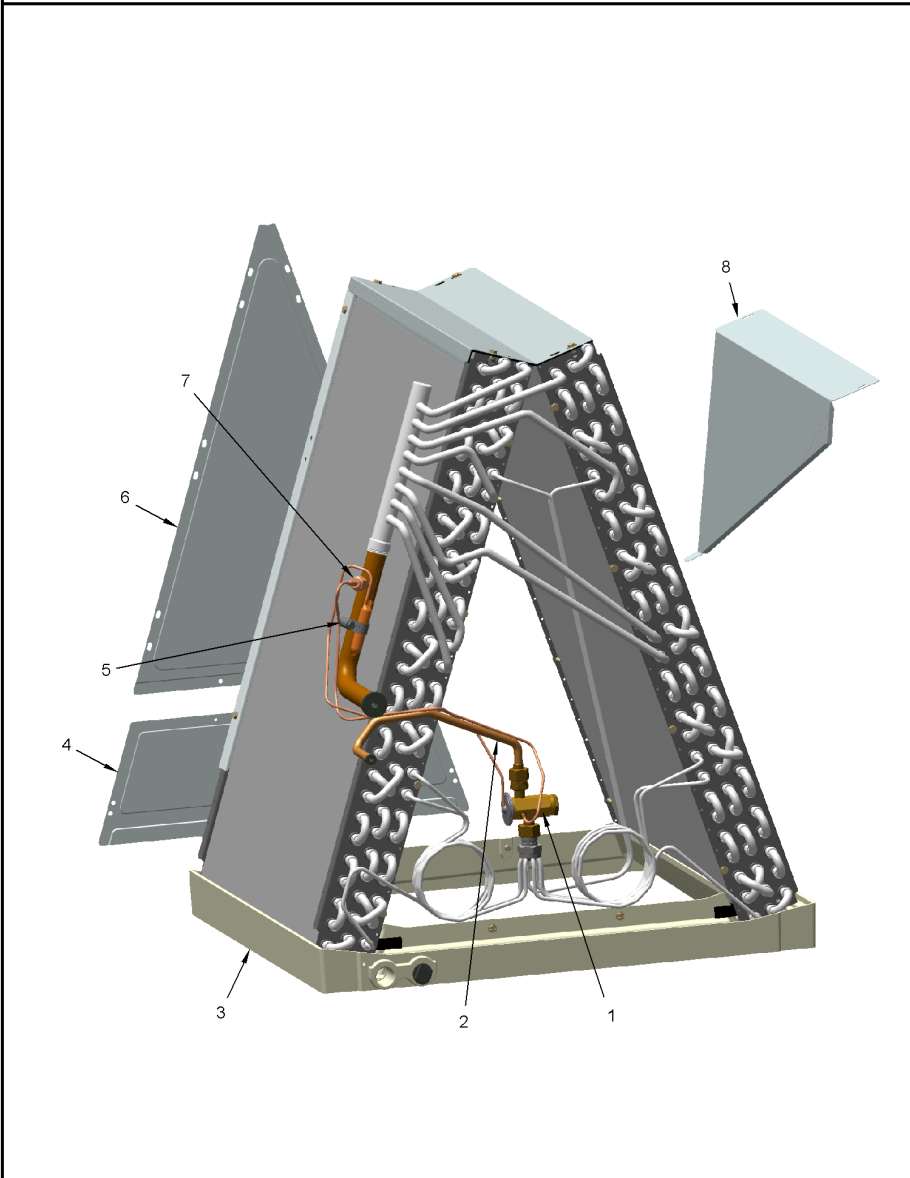
| Part No. | Reference No. | Quantity | Description |
|---------------------------|---------------|----------|-----------------|
| 75010724_4PXAUP1_259578~P | * | | COIL PARTS LIST |

HIGH EFFICIENCY COIL

75010724

REV.
A

TYPICAL ILLUSTRATION



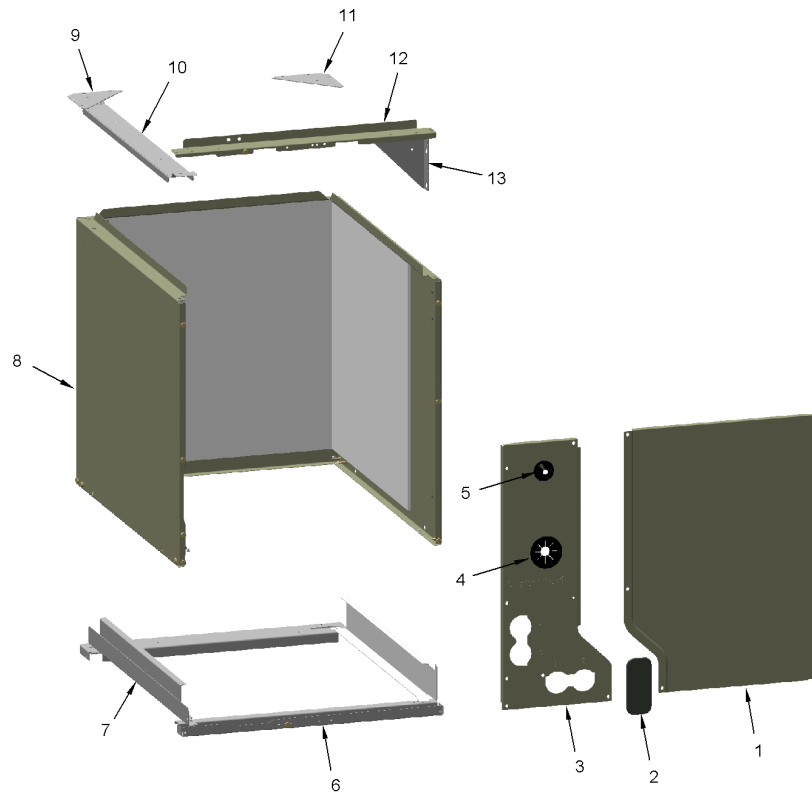
| Part No. | Reference No. | Quantity | Description |
|----------|---------------|----------|---|
| SCR00965 | * | 28 | SCREW, 10-16 AB HXW 1/2 S N |
| SCR00969 | * | 4 | SCREW;10-16 BT HXW 5/8 S |
| VAL12308 | 1 | 1 | VALVE; TXV CHATLEFF, 3 TON, 79 PSIG OUTLET AT 32F, 15 PERCENT BLEED |
| TUB13776 | 2 | 1 | TUBE; ASSEMBLY, LIQUID. INCLUDES FLANGE FITTING, HEX NUT AND INLET SCREEN |
| PAN03216 | 3 | 1 | PAN; DRAIN PAN ASSEMBLY, PLASTIC,16.28 X 21.10 X 2.54 |
| PLT05398 | 4 | 2 | PLATE; COIL BAFFLE-LOWER, 10.62 L X 3.50 H |
| CMP01450 | 5 | 1 | CLAMP; HOSE, 11/16 - 1-1/4, 1/2 W, 5/16 HEX SCREW, STAINLESS STEEL |
| PLT05411 | 6 | 2 | PLATE; COIL BAFFLE, TOP, 9.18 W X 17.91 H |
| BOD00114 | 7 | 1 | BODY; VALVE, BRASS, 7/16 HEX, 7/16 -20 UNF-2A |
| BAF01223 | 8 | 1 | BAFFLE; TOP, 17.88 X 10.00 X 2.00 TRIANGULAR GALVANIZED SHEET METAL |

COIL CABINET

75010728

REV.
A

TYPICAL ILLUSTRATION



COIL CABINET

Parts List Number :4PXA#4PXAUP1

Model Number :4PXCBU42BS3HAAA

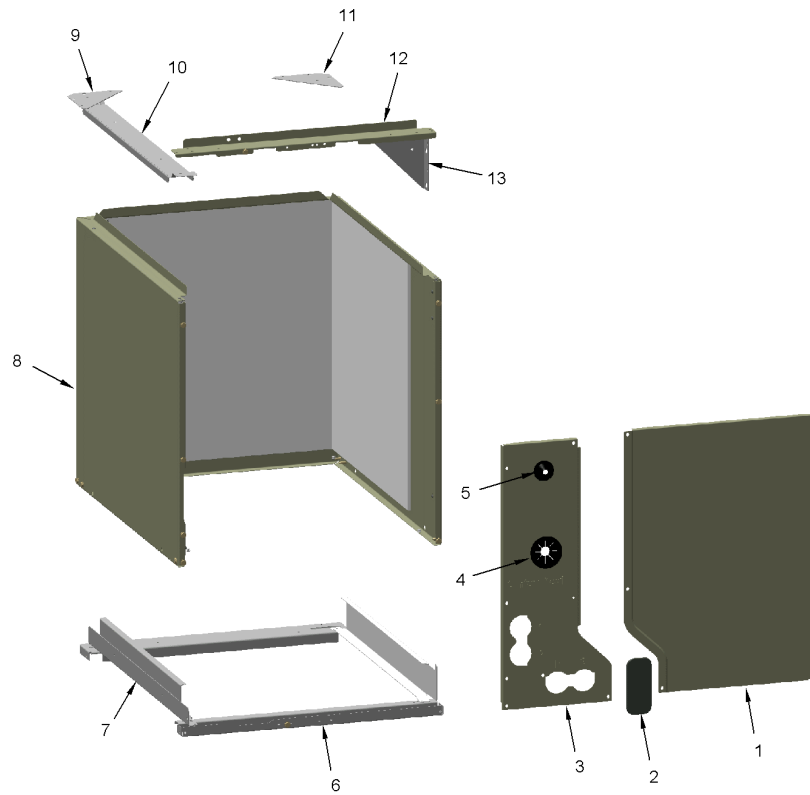
| Part No. | Reference No. | Quantity | Description |
|---------------------------|---------------|----------|-------------------------|
| 75010728_4PXAUP1_174453~P | * | | COIL CABINET PARTS LIST |

COIL CABINET

75010728

REV.
A

TYPICAL ILLUSTRATION



| Part No. | Reference No. | Quantity | Description |
|----------|---------------|----------|---|
| INS02506 | 1 | 1 | INSULATION; FRONT |
| PNL21802 | 1 | 1 | PANEL; RIGHT FRONT WITH INSULATION, 26.65 X 13.10. FOR PANEL ONLY ORDER PNL17603. |
| PLU01264 | 2 | 1 | PLUG; PANEL PLUG, BLACK, 3.71 X 1.66 |
| PNL31867 | 3 | 1 | PANEL; MANIFOLD, 26.59 X 7.15, INCLUDES (1) GRM00863 & (1) GRM00864 |
| GRM00863 | 4 | 1 | GROMMET; SUCTION GROMMET |
| GRM00864 | 5 | 1 | GROMMET; CONE GROMMET, LIQUID LINE |
| SUP04114 | 6 | 1 | SUPPORT; ANGLE, 17.44 X 10.25 X 0.80 |
| ANG01172 | 7 | 1 | ANGLE; |
| PNL21249 | 8 | 1 | PANEL; WRAPPER, 21.36 L X 17.50 W X 26.75 H, W/O INSULATION |
| BRK01730 | 9 | 1 | BRACKET; |
| ANG00693 | 10 | 1 | ANGLE; |
| BRK01730 | 11 | 1 | BRACKET; |
| CNL00442 | 12 | 1 | CHANNEL; |
| BRK01706 | 13 | 1 | BRACKET;ANGLE ASSEMBLY |

MODEL NUMBER DESCRIPTION

75010729

REV.
A

Heat Pump / Cooling Coils

Example Model Number:

4 T X C B 0 3 6 A C 3 H C A A
1 - - - 5 - - - 10 - - - 15

Digit 1 – Refrigerant Type

4 = R-410A

Digit 2 – Series

T = Premium (Heat Pump)
N = Premium (Cooling and HP)
P = Premium High Efficiency - Dedicated
position (Cooling and HP)
C = Standard (Cooling Only)
F = Entry Level (Cooling Only)

Digit 3 – Coil Design

X = Direct Expansion Evaporator Coil

Digit 4 – Coil Feature

C = Cased A Coil
A = Uncased A Coil
F = Cased Horizontal Flat Coil

Digit 5 – Coil Width (Cased/Uncased)

A = 14.5" / 13.3"
B = 17.5" / 16.3"
C = 21.0" / 19.8"
D = 24.5" / 23.3"
H = 10.5"

Digit 6 – Refrigerant Line Coupling / Airflow Configuration

0 = Brazed
U = Upflow only, convertible to Horizontal Left
D = Downflow only, convertible to Horizontal
Right

Digits 7,8 – Nominal Capacity in 1000's (BTUH) / Model Number Distinguisher

Digit 9 – Major Design Change

Digit 10 – Efficiency

C = Standard
S = High Efficiency (derived from 10 SEER
products)
Z = High Efficiency (TXV modulates to 50%)

Digit 11 – Refrigerant Control

3 = TXV - Non-Bleed

Digit 12 – Coil Circuitry

H = Heat Pump
C = Cooling

Digit 13 – Airflow Configuration

A = Upflow
U = Upflow / Downflow
D = Downflow
R = Downflow / Horizontal Right
H = Horizontal Left / Right
C = Convertible - Upflow, Downflow,
Left or Right

Digit 14 – Minor Design Change

Digit 15 – Service Digit, Not Orderable

| Part No. | Reference No. | Quantity | Description |
|---------------------------|---------------|----------|-------------------------------------|
| 75010729_4PXAUP1_123354~P | * | | MODEL NUMBER DESCRIPTION PARTS LIST |

MODEL NUMBER DESCRIPTION

75010729

REV.
A

Heat Pump / Cooling Coils

Example Model Number:

4 T X C B 0 3 6 A C 3 H C A A
1 - - - 5 - - - 10 - - - 15

Digit 1 – Refrigerant Type

4 = R-410A

Digit 2 – Series

T = Premium (Heat Pump)
N = Premium (Cooling and HP)
P = Premium High Efficiency - Dedicated
position (Cooling and HP)
C = Standard (Cooling Only)
F = Entry Level (Cooling Only)

Digit 3 – Coil Design

X = Direct Expansion Evaporator Coil

Digit 4 – Coil Feature

C = Cased A Coil
A = Uncased A Coil
F = Cased Horizontal Flat Coil

Digit 5 – Coil Width (Cased/Uncased)

A = 14.5" / 13.3"
B = 17.5" / 16.3"
C = 21.0" / 19.8"
D = 24.5" / 23.3"
H = 10.5"

Digit 6 – Refrigerant Line Coupling / Airflow Configuration

0 = Brazed
U = Upflow only, convertible to Horizontal Left
D = Downflow only, convertible to Horizontal
Right

Digits 7,8 – Nominal Capacity in 1000's (BTUH) / Model Number Distinguisher

Digit 9 – Major Design Change

Digit 10 – Efficiency

C = Standard
S = High Efficiency (derived from 10 SEER
products)
Z = High Efficiency (TXV modulates to 50%)

Digit 11 – Refrigerant Control

3 = TXV - Non-Bleed

Digit 12 – Coil Circuitry

H = Heat Pump
C = Cooling

Digit 13 – Airflow Configuration

A = Upflow
U = Upflow / Downflow
D = Downflow
R = Downflow / Horizontal Right
H = Horizontal Left / Right
C = Convertible - Upflow, Downflow,
Left or Right

Digit 14 – Minor Design Change

Digit 15 – Service Digit, Not Orderable

OPTIONAL KITS

Parts List Number :4PXA#4PXAUP1

Model Number :4PXCBU42BS3HAAA

| Part No. | Reference No. | Quantity | Description |
|-------------------------|---------------|----------|--------------------------|
| OPTION_4PXAUP1_174455-P | * | | OPTIONAL KITS PARTS LIST |

NO GRAPHIC AVAILABLE

75013702

REV
A

**NO
GRAPHIC
AVAILABLE**

| Part No. | Reference No. | Quantity | Description |
|-----------------|----------------------|-----------------|--|
| 2AYTXVH3H4248A | * | 1 | KIT; FIELD MOUNTED TXV (R-22) |
| BAYCONV27A | * | 1 | KIT; HORIZONTAL CONVERSION, 4PXC COILS |
| BAYGSKT001A0 | * | 1 | KIT-DOWNFLOW INSULATE GSK |