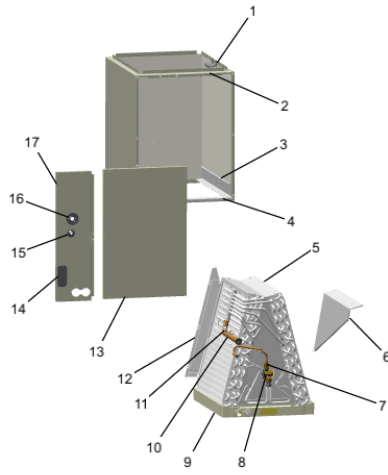


<b>Part No.</b>	<b>Reference No.</b>	<b>Quantity</b>	<b>Description</b>
0000142377~S	*		CABINET & COIL
0000141818~S	*		MODEL NUMBER DESCRIPTION
0000141819~S	*		OPTIONAL ACCESSORIES

Part No.	Reference No.	Quantity	Description
0000024036~P	*		CABINET & COIL PARTS LIST



Part No.	Reference No.	Quantity	Description
SCR00969	*	1	SCREW;10-16 BT HXW 5/8 S
SUP06829	3a	1	SUPPORT; COIL SHIELD
SUP06650	3b	1	SUPPORT; COIL SHIELD
BRK05157	4	1	BRACKET; BOTTOM
BAF01523	5	1	BAFFLE; TOP
TUB13776	7	1	TUBE; ASSEMBLY, LIQUID. INCLUDES FLANGE FITTING, HEX NUT AND INLET SCREEN
VAL12849	8	1	VALVE; TEV HXCE 3 ZX200 B15 R410A
PAN03216	9	1	PAN; DRAIN PAN ASSEMBLY, PLASTIC,16.28 X 21.10 X 2.54
PLU00457	9a	1	PLUG; DRAIN PAN
CLP00182	10	1	CLIP, EXPANSION VALVE
BOD00114	11	1	BODY; VALVE, BRASS, 7/16 HEX, 7/16 -20 UNF-2A
PNL38209	13	1	PANEL; INSULATION ASM-COIL
PLU01264	14	1	PLUG; PANEL PLUG, BLACK, 3.71 X 1.66
GRM00864	15	1	GROMMET; CONE GROMMET, LIQUID LINE
GRM00863	16	1	GROMMET; SUCTION GROMMET
PNL37949	17	1	PANEL; INSULATION ASM-LINESET

Part No.	Reference No.	Quantity	Description
0000019156~P	*		MODEL NUMBER GRAPHIC

MODEL NUMBER DESCRIPTION

75010729

REL  
A

Heat Pump / Cooling Coils

*Example Model Number:*

**4 T X C B 0 3 6 A C 3 H C A A**  
1 - - - 5 - - - 10 - - - 15

**Digit 1 – Refrigerant Type**

4 = R-410A

**Digit 2 – Series**

T = Premium (Heat Pump)  
N = Premium (Cooling and HP)  
P = Premium High Efficiency - Dedicated  
position (Cooling and HP)  
C = Standard (Cooling Only)  
F = Entry Level (Cooling Only)

**Digit 3 – Coil Design**

X = Direct Expansion Evaporator Coil

**Digit 4 – Coil Feature**

C = Cased A Coil  
A = Uncased A Coil  
F = Cased Horizontal Flat Coil

**Digit 5 – Coil Width (Cased/Uncased)**

A = 14.5" / 13.3"  
B = 17.5" / 16.3"  
C = 21.0" / 19.8"  
D = 24.5" / 23.3"  
H = 10.5"

**Digit 6 – Refrigerant Line Coupling / Airflow Configuration**

0 = Brazed  
U = Upflow only, convertible to Horizontal Left  
D = Downflow only, convertible to Horizontal  
Right

**Digits 7,8 – Nominal Capacity in 1000's (BTUH) / Model Number Distinguisher**

**Digit 9 – Major Design Change**

**Digit 10 – Efficiency**

C = Standard  
S = High Efficiency (derived from 10 SEER  
products)  
Z = High Efficiency (TXV modulates to 50%)

**Digit 11 – Refrigerant Control**

3 = TXV - Non-Bleed

**Digit 12 – Coil Circuitry**

H = Heat Pump  
C = Cooling

**Digit 13 – Airflow Configuration**

A = Upflow  
U = Upflow / Downflow  
D = Downflow  
R = Downflow / Horizontal Right  
H = Horizontal Left / Right  
C = Convertible - Upflow, Downflow,  
Left or Right

**Digit 14 – Minor Design Change**

**Digit 15 – Service Digit, Not Orderable**

Part No.	Reference No.	Quantity	Description
0000024016~P	*		OPTIONAL KITS

OPTIONAL KITS

Parts List Number :0000131808

Model Number :4PXCBU36BS3HABV

<b>Part No.</b>	<b>Reference No.</b>	<b>Quantity</b>	<b>Description</b>
2AYTXVH3H1836A	*	1	KIT; FIELD MOUNTED TXV (R-22)
BAYCONV23A	*	1	14 Seer Coil Conversion Kit
BAYGSKT001A0	*	1	KIT-DOWNFLOW INSULATE GSK