

<b>Part No.</b>	<b>Reference No.</b>	<b>Quantity</b>	<b>Description</b>
75010728#4PXAUP1~S	*		COIL CABINET
75010726#4PXAUP1~S	*		COIL
4PXA_4PXAUP1_123349~P	*		HIGH EFFICIENCY COIL PARTS LIST
75010729#4PXAUP1~S	*		MODEL NUMBER DESCRIPTION
OPTION#4PXAUP1~S	*		OPTIONAL KITS

NO GRAPHIC AVAILABLE

75013702

REV  
A

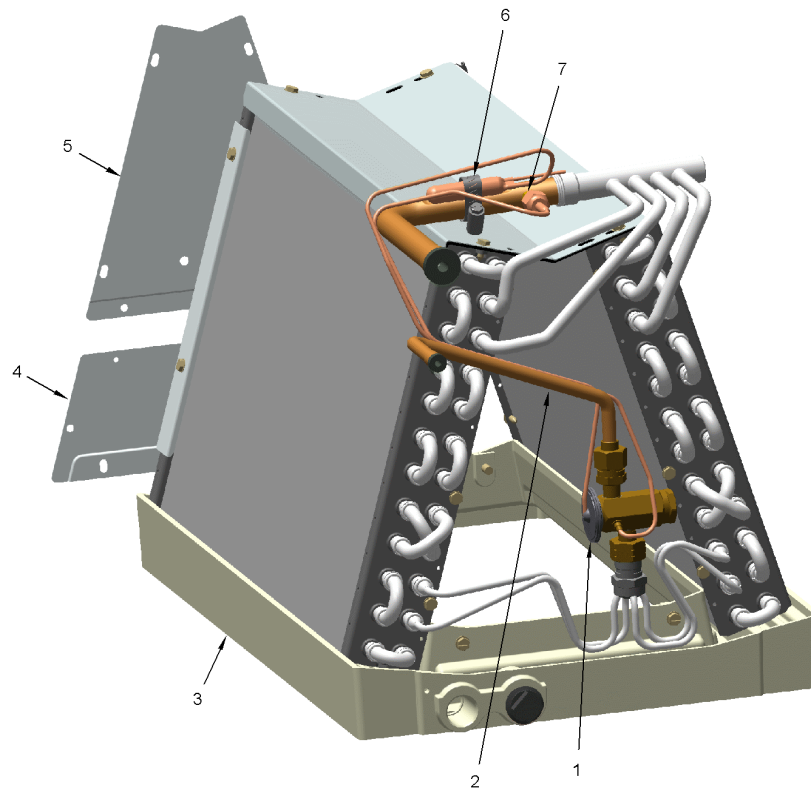
**NO  
GRAPHIC  
AVAILABLE**

HIGH EFFICIENCY COIL

75010726

REV.  
A

TYPICAL ILLUSTRATION



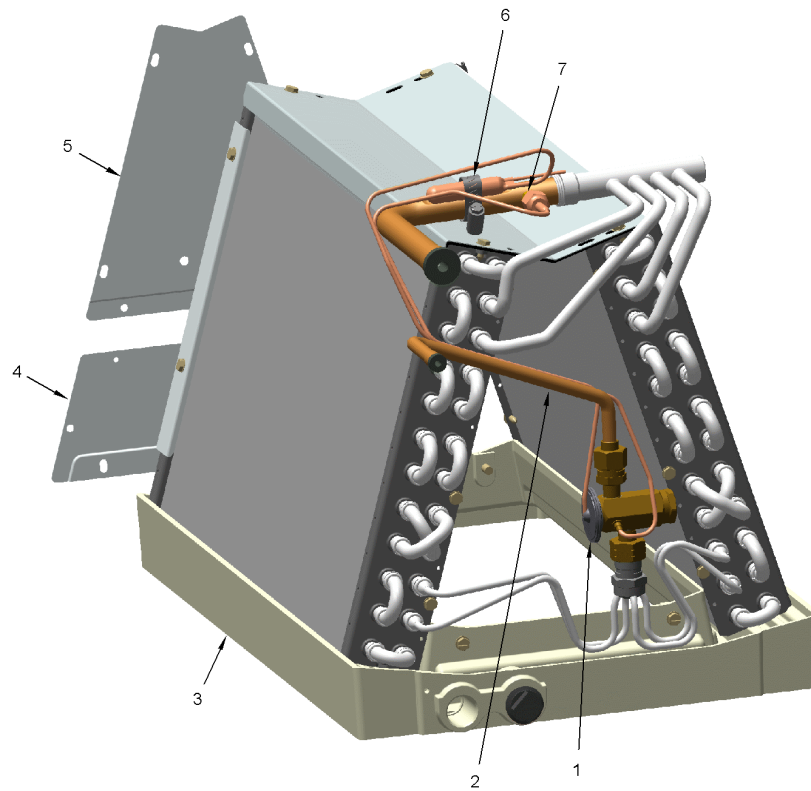
Part No.	Reference No.	Quantity	Description
75010726_4PXAUP1_222406~P	*		COIL PARTS LIST

HIGH EFFICIENCY COIL

75010726

REV.  
A

TYPICAL ILLUSTRATION



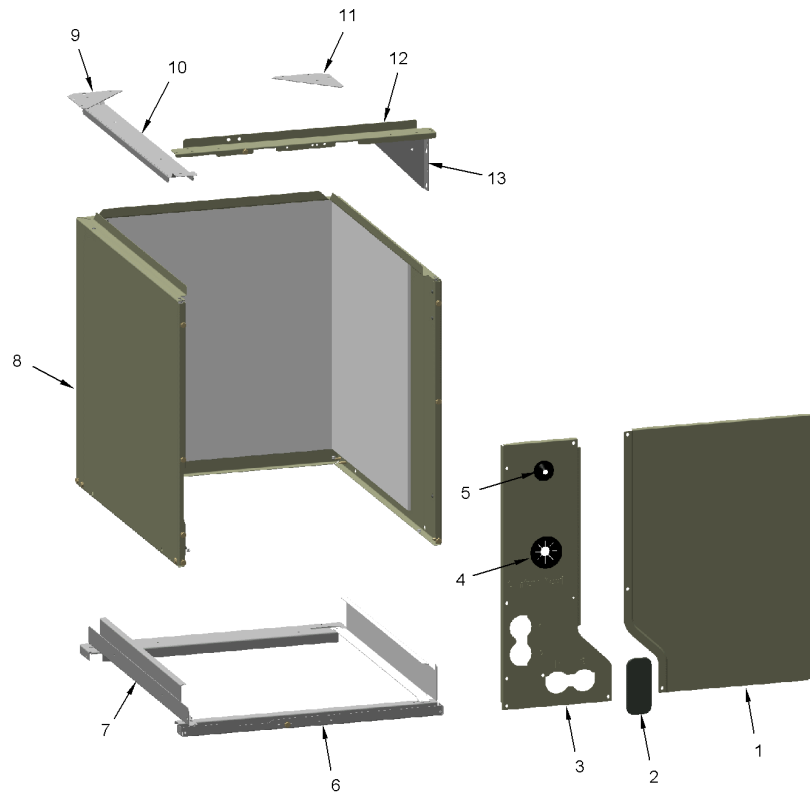
Part No.	Reference No.	Quantity	Description
SCR00965	*	24	SCREW, 10-16 AB HXW 1/2 S N
SCR00969	*	4	SCREW;10-16 BT HXW 5/8 S
VAL12307	1	1	VALVE; TXV CHATLEFF, 2 TON, 76 PSIG OUTLET AT 32F, 15 PERCENT BLEED
TUB13775	2	1	TUBE; ASSEMBLY, LIQUID. INCLUDES FLANGE FITTING, HEX NUT AND INLET SCREEN
PAN03852	3	1	PAN; DRAIN, 21.10 X 13.28
PLT05404	4	2	PLATE; COIL BAFFLE, BOTTOM, 9.03 L X 3.50 H
PLT05416	5	2	PLATE; COIL BAFFLE, TOP, 7.82 W X 6.85 H
PLT05417	5	2	PLATE; COIL BAFFLE, TOP, 7.26 W X 7.75 H
CMP01450	6	1	CLAMP; HOSE, 11/16 - 1-1/4, 1/2 W, 5/16 HEX SCREW, STAINLESS STEEL
BOD00114	7	1	BODY; VALVE, BRASS, 7/16 HEX, 7/16 -20 UNF-2A

COIL CABINET

75010728

REV.  
A

TYPICAL ILLUSTRATION



COIL CABINET

Parts List Number :4PXA#4PXAUP1

Model Number :4PXCAD24BS3HDAA

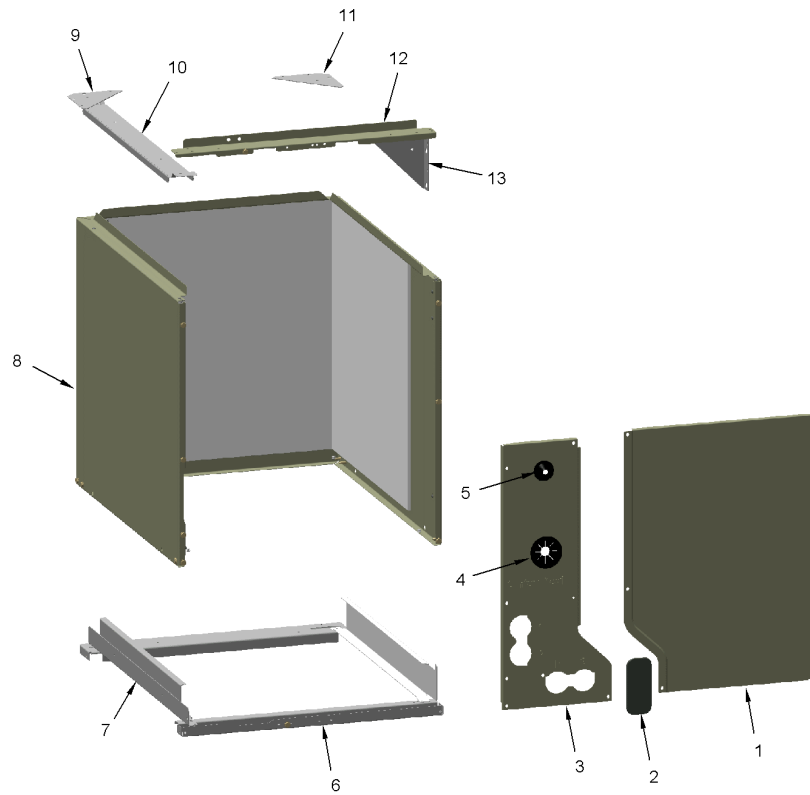
Part No.	Reference No.	Quantity	Description
75010728_4PXAUP1_222407~P	*		COIL CABINET PARTS LIST

COIL CABINET

75010728

REV.  
A

TYPICAL ILLUSTRATION



Part No.	Reference No.	Quantity	Description
INS02495	1	1	INSULATION; FRONT
PNL21790	1	1	PANEL; RIGHT FRONT WITH INSULATION, 17.40 X 10.10 FOR PANEL ONLY ORDER PNL17588.
PLU01264	2	1	PLUG; PANEL PLUG, BLACK, 3.71 X 1.66
PNL31865	3	1	PANEL; MANIFOLD, 17.34 X 7.15, INCLUDES (1) GRM00863 & (2) GRM00864
GRM00863	4	1	GROMMET; SUCTION GROMMET
GRM00864	5	1	GROMMET; CONE GROMMET, LIQUID LINE
SUP04113	6	1	SUPPORT; ANGLE, 14.44 X 7.25
ANG01172	7	1	ANGLE;
PNL20624	8	1	PANEL; WRAPPER, 21.36 L X 14.50 W X 17.50 H, W/O INSULATION
BRK01730	9	1	BRACKET;
ANG00690	10	1	ANGLE;
BRK01730	11	1	BRACKET;
CNL00442	12	1	CHANNEL;
BRK01706	13	1	BRACKET;ANGLE ASSEMBLY

MODEL NUMBER DESCRIPTION

75010729

REL  
A

Heat Pump / Cooling Coils

*Example Model Number:*

**4 T X C B 0 3 6 A C 3 H C A A**  
1 - - - 5 - - - 10 - - - 15

**Digit 1 – Refrigerant Type**

4 = R-410A

**Digit 2 – Series**

T = Premium (Heat Pump)  
N = Premium (Cooling and HP)  
P = Premium High Efficiency - Dedicated  
position (Cooling and HP)  
C = Standard (Cooling Only)  
F = Entry Level (Cooling Only)

**Digit 3 – Coil Design**

X = Direct Expansion Evaporator Coil

**Digit 4 – Coil Feature**

C = Cased A Coil  
A = Uncased A Coil  
F = Cased Horizontal Flat Coil

**Digit 5 – Coil Width (Cased/Uncased)**

A = 14.5" / 13.3"  
B = 17.5" / 16.3"  
C = 21.0" / 19.8"  
D = 24.5" / 23.3"  
H = 10.5"

**Digit 6 – Refrigerant Line Coupling / Airflow Configuration**

0 = Brazed  
U = Upflow only, convertible to Horizontal Left  
D = Downflow only, convertible to Horizontal  
Right

**Digits 7,8 – Nominal Capacity in 1000's (BTUH) / Model Number Distinguisher**

**Digit 9 – Major Design Change**

**Digit 10 – Efficiency**

C = Standard  
S = High Efficiency (derived from 10 SEER  
products)  
Z = High Efficiency (TXV modulates to 50%)

**Digit 11 – Refrigerant Control**

3 = TXV - Non-Bleed

**Digit 12 – Coil Circuitry**

H = Heat Pump  
C = Cooling

**Digit 13 – Airflow Configuration**

A = Upflow  
U = Upflow / Downflow  
D = Downflow  
R = Downflow / Horizontal Right  
H = Horizontal Left / Right  
C = Convertible - Upflow, Downflow,  
Left or Right

**Digit 14 – Minor Design Change**

**Digit 15 – Service Digit, Not Orderable**

Part No.	Reference No.	Quantity	Description
75010729_4PXAUP1_123354~P	*		MODEL NUMBER DESCRIPTION PARTS LIST

MODEL NUMBER DESCRIPTION

75010729

REV.  
A

Heat Pump / Cooling Coils

*Example Model Number:*

**4 T X C B 0 3 6 A C 3 H C A A**  
1 - - - 5 - - - 10 - - - 15

**Digit 1 – Refrigerant Type**

4 = R-410A

**Digit 2 – Series**

T = Premium (Heat Pump)  
N = Premium (Cooling and HP)  
P = Premium High Efficiency - Dedicated  
position (Cooling and HP)  
C = Standard (Cooling Only)  
F = Entry Level (Cooling Only)

**Digit 3 – Coil Design**

X = Direct Expansion Evaporator Coil

**Digit 4 – Coil Feature**

C = Cased A Coil  
A = Uncased A Coil  
F = Cased Horizontal Flat Coil

**Digit 5 – Coil Width (Cased/Uncased)**

A = 14.5" / 13.3"  
B = 17.5" / 16.3"  
C = 21.0" / 19.8"  
D = 24.5" / 23.3"  
H = 10.5"

**Digit 6 – Refrigerant Line Coupling / Airflow Configuration**

0 = Brazed  
U = Upflow only, convertible to Horizontal Left  
D = Downflow only, convertible to Horizontal  
Right

**Digits 7,8 – Nominal Capacity in 1000's (BTUH) / Model Number Distinguisher**

**Digit 9 – Major Design Change**

**Digit 10 – Efficiency**

C = Standard  
S = High Efficiency (derived from 10 SEER  
products)  
Z = High Efficiency (TXV modulates to 50%)

**Digit 11 – Refrigerant Control**

3 = TXV - Non-Bleed

**Digit 12 – Coil Circuitry**

H = Heat Pump  
C = Cooling

**Digit 13 – Airflow Configuration**

A = Upflow  
U = Upflow / Downflow  
D = Downflow  
R = Downflow / Horizontal Right  
H = Horizontal Left / Right  
C = Convertible - Upflow, Downflow,  
Left or Right

**Digit 14 – Minor Design Change**

**Digit 15 – Service Digit, Not Orderable**

OPTIONAL KITS

Parts List Number :4PXA#4PXAUP1

Model Number :4PXCAD24BS3HDAA

Part No.	Reference No.	Quantity	Description
OPTION_4PXAUP1_193567-P	*		OPTIONAL KITS PARTS LIST

NO GRAPHIC AVAILABLE

75013702

REV  
A

**NO  
GRAPHIC  
AVAILABLE**

<b>Part No.</b>	<b>Reference No.</b>	<b>Quantity</b>	<b>Description</b>
2AYTXVH3H1836A	*	1	KIT; FIELD MOUNTED TXV (R-22)
BAYCONV18A	*	1	14 SEER COIL CONVERSION KIT
BAYGSKT001A0	*	1	KIT-DOWNFLOW INSULATE GSK