

<b>Part No.</b>	<b>Reference No.</b>	<b>Quantity</b>	<b>Description</b>
75010727#4PXAUP1~S	*		COIL
4PXA_4PXAUP1_123349~P	*		HIGH EFFICIENCY COIL PARTS LIST
75010729#4PXAUP1~S	*		MODEL NUMBER DESCRIPTION
OPTION#4PXAUP1~S	*		OPTIONAL KITS

NO GRAPHIC AVAILABLE

75013702

REV  
A

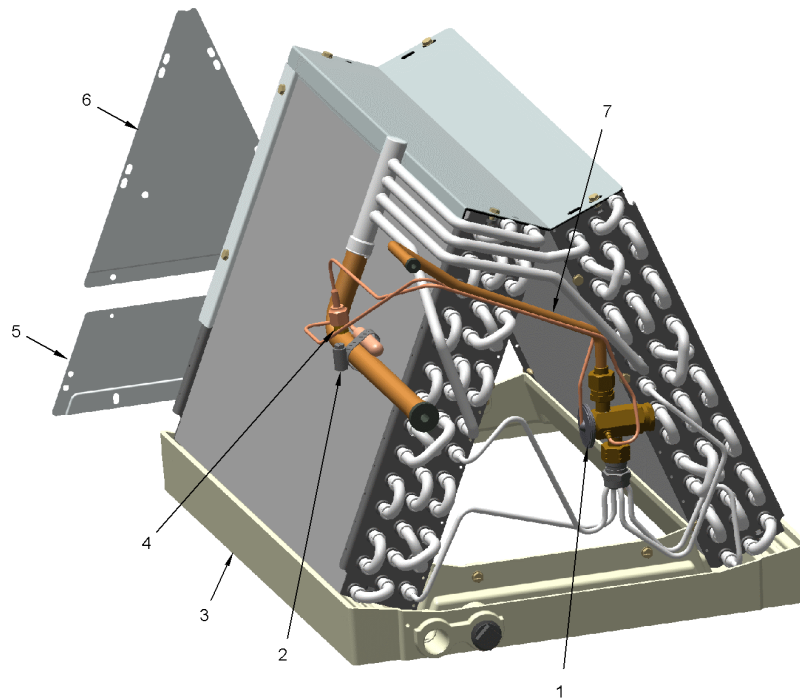
**NO  
GRAPHIC  
AVAILABLE**

HIGH EFFICIENCY COIL

75010727

REV.  
A

TYPICAL ILLUSTRATION



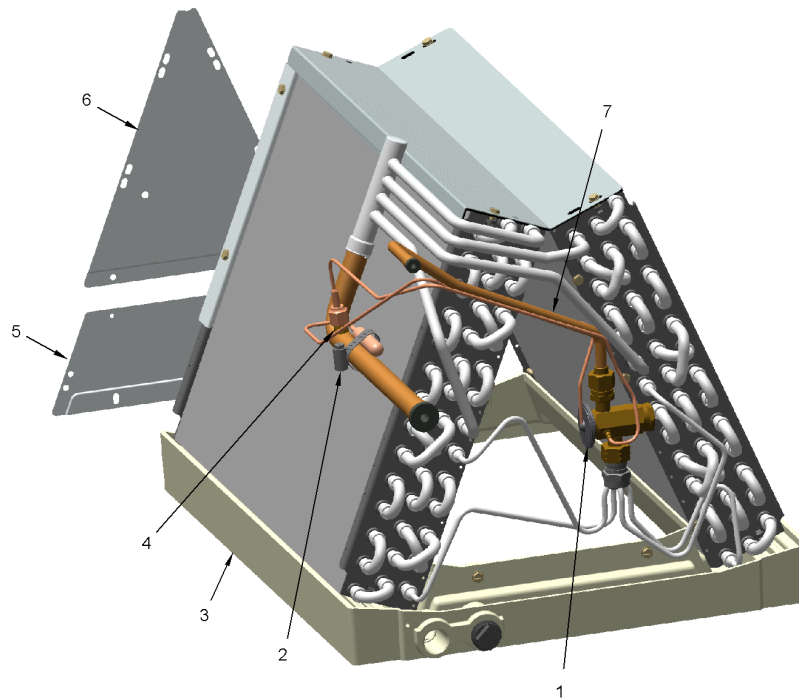
Part No.	Reference No.	Quantity	Description
75010727_4PXAUP1_162920~P	*		COIL PARTS LIST

HIGH EFFICIENCY COIL

75010727

REV.  
A

TYPICAL ILLUSTRATION



Part No.	Reference No.	Quantity	Description
SCR00965	*	24	SCREW, 10-16 AB HXW 1/2 S N
SCR00969	*	4	SCREW;10-16 BT HXW 5/8 S
VAL12308	1	1	VALVE; TXV CHATLEFF, 3 TON, 79 PSIG OUTLET AT 32F, 15 PERCENT BLEED
CMP01450	2	1	CLAMP; HOSE, 11/16 - 1-1/4, 1/2 W, 5/16 HEX SCREW, STAINLESS STEEL
PAN03217	3	1	PAN; DRAIN PAN ASSEMBLY, PLASTIC,19.78 X 21.10 X 2.54
BOD00114	4	1	BODY; VALVE, BRASS, 7/16 HEX, 7/16 -20 UNF-2A
PLT05396	5	2	PLATE; COIL BAFFLE-LOWER, 11.20 L X 3.50 H
PLT05409	6	2	PLATE; COIL BAFFLE, TOP, 11.62 W X 8.39 H
TUB13774	7	1	TUBE; ASSEMBLY, LIQUID. INCLUDES FLANGE FITTING, HEX NUT AND INLET SCREEN

MODEL NUMBER DESCRIPTION

75010729

REV.  
A

Heat Pump / Cooling Coils

*Example Model Number:*

**4 T X C B 0 3 6 A C 3 H C A A**  
1 - - - 5 - - - 10 - - - 15

**Digit 1 – Refrigerant Type**

4 = R-410A

**Digit 2 – Series**

T = Premium (Heat Pump)  
N = Premium (Cooling and HP)  
P = Premium High Efficiency - Dedicated  
position (Cooling and HP)  
C = Standard (Cooling Only)  
F = Entry Level (Cooling Only)

**Digit 3 – Coil Design**

X = Direct Expansion Evaporator Coil

**Digit 4 – Coil Feature**

C = Cased A Coil  
A = Uncased A Coil  
F = Cased Horizontal Flat Coil

**Digit 5 – Coil Width (Cased/Uncased)**

A = 14.5" / 13.3"  
B = 17.5" / 16.3"  
C = 21.0" / 19.8"  
D = 24.5" / 23.3"  
H = 10.5"

**Digit 6 – Refrigerant Line Coupling / Airflow Configuration**

0 = Brazed  
U = Upflow only, convertible to Horizontal Left  
D = Downflow only, convertible to Horizontal  
Right

**Digits 7,8 – Nominal Capacity in 1000's (BTUH) / Model Number Distinguisher**

**Digit 9 – Major Design Change**

**Digit 10 – Efficiency**

C = Standard  
S = High Efficiency (derived from 10 SEER  
products)  
Z = High Efficiency (TXV modulates to 50%)

**Digit 11 – Refrigerant Control**

3 = TXV - Non-Bleed

**Digit 12 – Coil Circuitry**

H = Heat Pump  
C = Cooling

**Digit 13 – Airflow Configuration**

A = Upflow  
U = Upflow / Downflow  
D = Downflow  
R = Downflow / Horizontal Right  
H = Horizontal Left / Right  
C = Convertible - Upflow, Downflow,  
Left or Right

**Digit 14 – Minor Design Change**

**Digit 15 – Service Digit, Not Orderable**

Part No.	Reference No.	Quantity	Description
75010729_4PXAUP1_123354~P	*		MODEL NUMBER DESCRIPTION PARTS LIST

<b>MODEL NUMBER DESCRIPTION</b>	75010729	REL A
Heat Pump / Cooling Coils		
<i>Example Model Number:</i> <b>4 T X C B 0 3 6 A C 3 H C A A</b> <small>1 - - - 5 - - - 10 - - - 15</small>		
<b>Digit 1 – Refrigerant Type</b> 4 = R-410A	<b>Digit 12 – Coil Circuitry</b> H = Heat Pump C = Cooling	
<b>Digit 2 – Series</b> T = Premium (Heat Pump) N = Premium (Cooling and HP) P = Premium High Efficiency - Dedicated position (Cooling and HP) C = Standard (Cooling Only) F = Entry Level (Cooling Only)	<b>Digit 13 – Airflow Configuration</b> A = Upflow U = Upflow / Downflow D = Downflow R = Downflow / Horizontal Right H = Horizontal Left / Right C = Convertible - Upflow, Downflow, Left or Right	
<b>Digit 3 – Coil Design</b> X = Direct Expansion Evaporator Coil	<b>Digit 14 – Minor Design Change</b>	
<b>Digit 4 – Coil Feature</b> C = Cased A Coil A = Uncased A Coil F = Cased Horizontal Flat Coil	<b>Digit 15 – Service Digit, Not Orderable</b>	
<b>Digit 5 – Coil Width (Cased/Uncased)</b> A = 14.5" / 13.3" B = 17.5" / 16.3" C = 21.0" / 19.8" D = 24.5" / 23.3" H = 10.5"		
<b>Digit 6 – Refrigerant Line Coupling / Airflow Configuration</b> 0 = Brazed U = Upflow only, convertible to Horizontal Left D = Downflow only, convertible to Horizontal Right		
<b>Digits 7,8 – Nominal Capacity in 1000's (BTUH) / Model Number Distinguisher</b>		
<b>Digit 9 – Major Design Change</b>		
<b>Digit 10 – Efficiency</b> C = Standard S = High Efficiency (derived from 10 SEER products) Z = High Efficiency (TXV modulates to 50%)		
<b>Digit 11 – Refrigerant Control</b> 3 = TXV - Non-Bleed		
		1 of 1

OPTIONAL KITS

Parts List Number :4PXA#4PXAUP1

Model Number :4PXACU30BS3HAAA

Part No.	Reference No.	Quantity	Description
OPTION_4PXAUP1_162922-P	*		OPTIONAL KITS PARTS LIST

NO GRAPHIC AVAILABLE

75013702

REV  
A

**NO  
GRAPHIC  
AVAILABLE**

<b>Part No.</b>	<b>Reference No.</b>	<b>Quantity</b>	<b>Description</b>
2AYTXVH3H1836A	*	1	KIT; FIELD MOUNTED TXV (R-22)
BAYCLE21A2130A	*	1	COIL ENCLOSURE
BAYGSKT001A0	*	1	KIT-DOWNFLOW INSULATE GSK