

| Part No. | Reference No. | Quantity | Description |
|-----------------------|----------------------|-----------------|---------------------------------|
| 75010726#4PXAUP1~S | * | | COIL |
| 4PXA_4PXAUP1_123349~P | * | | HIGH EFFICIENCY COIL PARTS LIST |
| 75010729#4PXAUP1~S | * | | MODEL NUMBER DESCRIPTION |
| OPTION#4PXAUP1~S | * | | OPTIONAL KITS |

NO GRAPHIC AVAILABLE

75013702

REV
A

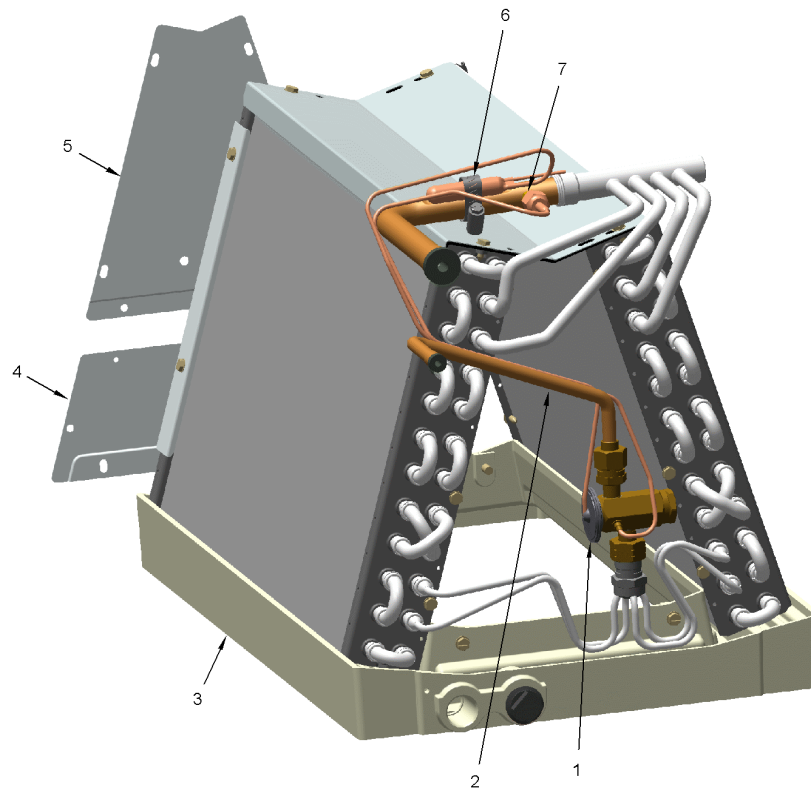
**NO
GRAPHIC
AVAILABLE**

HIGH EFFICIENCY COIL

75010726

REV.
A

TYPICAL ILLUSTRATION



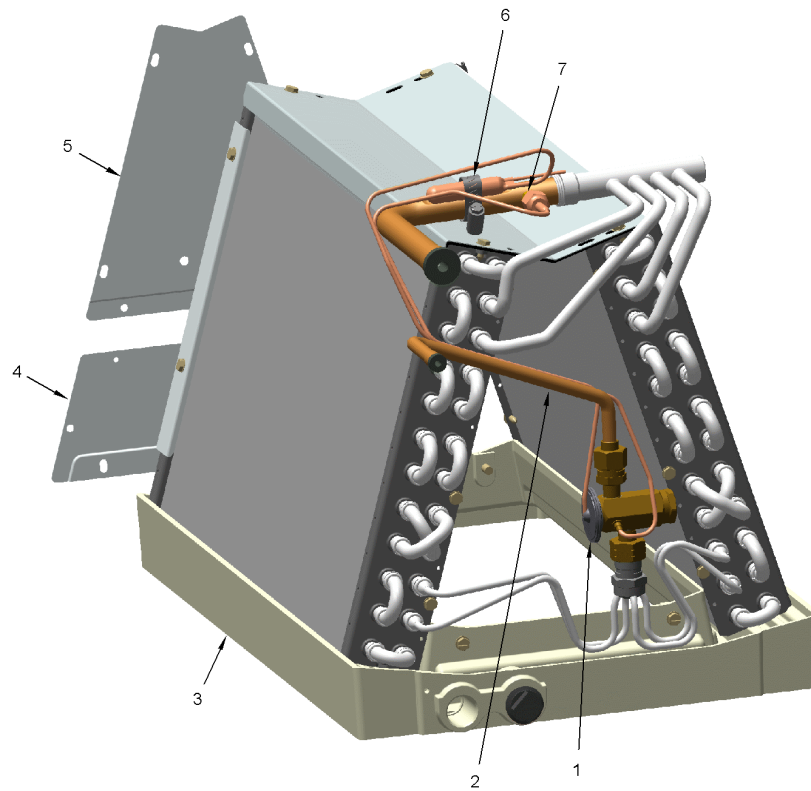
| Part No. | Reference No. | Quantity | Description |
|---------------------------|---------------|----------|-----------------|
| 75010726_4PXAUP1_297493~P | * | | COIL PARTS LIST |

HIGH EFFICIENCY COIL

75010726

REV.
A

TYPICAL ILLUSTRATION



| Part No. | Reference No. | Quantity | Description |
|----------|---------------|----------|---|
| SCR00965 | * | 24 | SCREW, 10-16 AB HXW 1/2 S N |
| SCR00969 | * | 4 | SCREW;10-16 BT HXW 5/8 S |
| VAL12307 | 1 | 1 | VALVE; TXV CHATLEFF, 2 TON, 76 PSIG OUTLET AT 32F, 15 PERCENT BLEED |
| TUB13775 | 2 | 1 | TUBE; ASSEMBLY, LIQUID. INCLUDES FLANGE FITTING, HEX NUT AND INLET SCREEN |
| PAN03215 | 3 | 1 | PAN; DRAIN PAN ASSEMBLY, PLASTIC, 13.28 X 21.10 X 2.54 |
| PLT05404 | 4 | 2 | PLATE; COIL BAFFLE, BOTTOM, 9.03 L X 3.50 H |
| PLT05416 | 5 | 2 | PLATE; COIL BAFFLE, TOP, 7.82 W X 6.85 H |
| PLT05417 | 5 | 2 | PLATE; COIL BAFFLE, TOP, 7.26 W X 7.75 H |
| CMP01450 | 6 | 1 | CLAMP; HOSE, 11/16 - 1-1/4, 1/2 W, 5/16 HEX SCREW, STAINLESS STEEL |
| BOD00114 | 7 | 1 | BODY; VALVE, BRASS, 7/16 HEX, 7/16 -20 UNF-2A |

MODEL NUMBER DESCRIPTION

75010729

REV.
A

Heat Pump / Cooling Coils

Example Model Number:

4 T X C B 0 3 6 A C 3 H C A A
1 - - - 5 - - - 10 - - - 15

Digit 1 – Refrigerant Type

4 = R-410A

Digit 2 – Series

T = Premium (Heat Pump)
N = Premium (Cooling and HP)
P = Premium High Efficiency - Dedicated
position (Cooling and HP)
C = Standard (Cooling Only)
F = Entry Level (Cooling Only)

Digit 3 – Coil Design

X = Direct Expansion Evaporator Coil

Digit 4 – Coil Feature

C = Cased A Coil
A = Uncased A Coil
F = Cased Horizontal Flat Coil

Digit 5 – Coil Width (Cased/Uncased)

A = 14.5" / 13.3"
B = 17.5" / 16.3"
C = 21.0" / 19.8"
D = 24.5" / 23.3"
H = 10.5"

Digit 6 – Refrigerant Line Coupling / Airflow Configuration

0 = Brazed
U = Upflow only, convertible to Horizontal Left
D = Downflow only, convertible to Horizontal
Right

Digits 7,8 – Nominal Capacity in 1000's (BTUH) / Model Number Distinguisher

Digit 9 – Major Design Change

Digit 10 – Efficiency

C = Standard
S = High Efficiency (derived from 10 SEER
products)
Z = High Efficiency (TXV modulates to 50%)

Digit 11 – Refrigerant Control

3 = TXV - Non-Bleed

Digit 12 – Coil Circuitry

H = Heat Pump
C = Cooling

Digit 13 – Airflow Configuration

A = Upflow
U = Upflow / Downflow
D = Downflow
R = Downflow / Horizontal Right
H = Horizontal Left / Right
C = Convertible - Upflow, Downflow,
Left or Right

Digit 14 – Minor Design Change

Digit 15 – Service Digit, Not Orderable

| Part No. | Reference No. | Quantity | Description |
|---------------------------|---------------|----------|-------------------------------------|
| 75010729_4PXAUP1_123354~P | * | | MODEL NUMBER DESCRIPTION PARTS LIST |

| | | |
|---|---|----------|
| MODEL NUMBER DESCRIPTION | 75010729 | REL A |
| Heat Pump / Cooling Coils | | |
| <p><i>Example Model Number:</i></p> <p>4 T X C B 0 3 6 A C 3 H C A A</p> <p style="font-size: small; text-align: center;">1 - - - 5 - - - 10 - - - 15</p> | | |
| <p>Digit 1 – Refrigerant Type 4 = R-410A</p> <p>Digit 2 – Series T = Premium (Heat Pump) N = Premium (Cooling and HP) P = Premium High Efficiency - Dedicated position (Cooling and HP) C = Standard (Cooling Only) F = Entry Level (Cooling Only)</p> <p>Digit 3 – Coil Design X = Direct Expansion Evaporator Coil</p> <p>Digit 4 – Coil Feature C = Cased A Coil A = Uncased A Coil F = Cased Horizontal Flat Coil</p> <p>Digit 5 – Coil Width (Cased/Uncased) A = 14.5" / 13.3" B = 17.5" / 16.3" C = 21.0" / 19.8" D = 24.5" / 23.3" H = 10.5"</p> <p>Digit 6 – Refrigerant Line Coupling / Airflow Configuration 0 = Brazed U = Upflow only, convertible to Horizontal Left D = Downflow only, convertible to Horizontal Right</p> <p>Digits 7,8 – Nominal Capacity in 1000's (BTUH) / Model Number Distinguisher</p> <p>Digit 9 – Major Design Change</p> <p>Digit 10 – Efficiency C = Standard S = High Efficiency (derived from 10 SEER products) Z = High Efficiency (TXV modulates to 50%)</p> <p>Digit 11 – Refrigerant Control 3 = TXV - Non-Bleed</p> | <p>Digit 12 – Coil Circuitry H = Heat Pump C = Cooling</p> <p>Digit 13 – Airflow Configuration A = Upflow U = Upflow / Downflow D = Downflow R = Downflow / Horizontal Right H = Horizontal Left / Right C = Convertible - Upflow, Downflow, Left or Right</p> <p>Digit 14 – Minor Design Change</p> <p>Digit 15 – Service Digit, Not Orderable</p> | |
| 1 of 1 | | |

OPTIONAL KITS

Parts List Number :4PXA#4PXAUP1
Model Number :4PXAAU24BS3HAAA

| Part No. | Reference No. | Quantity | Description |
|-------------------------|---------------|----------|--------------------------|
| OPTION_4PXAUP1_297494-P | * | | OPTIONAL KITS PARTS LIST |

NO GRAPHIC AVAILABLE

75013702

REV
A

**NO
GRAPHIC
AVAILABLE**

| Part No. | Reference No. | Quantity | Description |
|-----------------|----------------------|-----------------|-------------------------------|
| 2AYTXVH3H1836A | * | 1 | KIT; FIELD MOUNTED TXV (R-22) |
| BAYCLE14A1422A | * | 1 | COIL ENCLOSURE - |
| BAYGSKT001A0 | * | 1 | KIT-DOWNFLOW INSULATE GSK |