

Part No.	Reference No.	Quantity	Description
4NXCUP1_4NXCUP1_103502~P	*		ALUMINUM CASED COIL CONVERTIBLE PARTS LIST
75010399#4NXCUP1~S	*		COIL
75010729#4NXCUP1~S	*		MODEL NUMBER DESCRIPTION

NO GRAPHIC AVAILABLE

75013702

REV
A

**NO
GRAPHIC
AVAILABLE**

MODEL NUMBER DESCRIPTION

75010729

REV.
A

Heat Pump / Cooling Coils

Example Model Number:

4 T X C B 0 3 6 A C 3 H C A A
1 - - - 5 - - - 10 - - - 15

Digit 1 – Refrigerant Type

4 = R-410A

Digit 2 – Series

T = Premium (Heat Pump)
N = Premium (Cooling and HP)
P = Premium High Efficiency - Dedicated
position (Cooling and HP)
C = Standard (Cooling Only)
F = Entry Level (Cooling Only)

Digit 3 – Coil Design

X = Direct Expansion Evaporator Coil

Digit 4 – Coil Feature

C = Cased A Coil
A = Uncased A Coil
F = Cased Horizontal Flat Coil

Digit 5 – Coil Width (Cased/Uncased)

A = 14.5" / 13.3"
B = 17.5" / 16.3"
C = 21.0" / 19.8"
D = 24.5" / 23.3"
H = 10.5"

Digit 6 – Refrigerant Line Coupling / Airflow Configuration

0 = Brazed
U = Upflow only, convertible to Horizontal Left
D = Downflow only, convertible to Horizontal
Right

Digits 7,8 – Nominal Capacity in 1000's (BTUH) / Model Number Distinguisher

Digit 9 – Major Design Change

Digit 10 – Efficiency

C = Standard
S = High Efficiency (derived from 10 SEER
products)
Z = High Efficiency (TXV modulates to 50%)

Digit 11 – Refrigerant Control

3 = TXV - Non-Bleed

Digit 12 – Coil Circuitry

H = Heat Pump
C = Cooling

Digit 13 – Airflow Configuration

A = Upflow
U = Upflow / Downflow
D = Downflow
R = Downflow / Horizontal Right
H = Horizontal Left / Right
C = Convertible - Upflow, Downflow,
Left or Right

Digit 14 – Minor Design Change

Digit 15 – Service Digit, Not Orderable

Part No.	Reference No.	Quantity	Description
75010729_4NXCUP1_103552~P	*		MODEL NUMBER DESCRIPTION PARTS LIST

MODEL NUMBER DESCRIPTION

75010729

REV.
A

Heat Pump / Cooling Coils

Example Model Number:

4 T X C B 0 3 6 A C 3 H C A A
1 - - - 5 - - - 10 - - - 15

Digit 1 – Refrigerant Type

4 = R-410A

Digit 2 – Series

T = Premium (Heat Pump)
N = Premium (Cooling and HP)
P = Premium High Efficiency - Dedicated
position (Cooling and HP)
C = Standard (Cooling Only)
F = Entry Level (Cooling Only)

Digit 3 – Coil Design

X = Direct Expansion Evaporator Coil

Digit 4 – Coil Feature

C = Cased A Coil
A = Uncased A Coil
F = Cased Horizontal Flat Coil

Digit 5 – Coil Width (Cased/Uncased)

A = 14.5" / 13.3"
B = 17.5" / 16.3"
C = 21.0" / 19.8"
D = 24.5" / 23.3"
H = 10.5"

Digit 6 – Refrigerant Line Coupling / Airflow Configuration

0 = Brazed
U = Upflow only, convertible to Horizontal Left
D = Downflow only, convertible to Horizontal
Right

Digits 7,8 – Nominal Capacity in 1000's (BTUH) / Model Number Distinguisher

Digit 9 – Major Design Change

Digit 10 – Efficiency

C = Standard
S = High Efficiency (derived from 10 SEER
products)
Z = High Efficiency (TXV modulates to 50%)

Digit 11 – Refrigerant Control

3 = TXV - Non-Bleed

Digit 12 – Coil Circuitry

H = Heat Pump
C = Cooling

Digit 13 – Airflow Configuration

A = Upflow
U = Upflow / Downflow
D = Downflow
R = Downflow / Horizontal Right
H = Horizontal Left / Right
C = Convertible - Upflow, Downflow,
Left or Right

Digit 14 – Minor Design Change

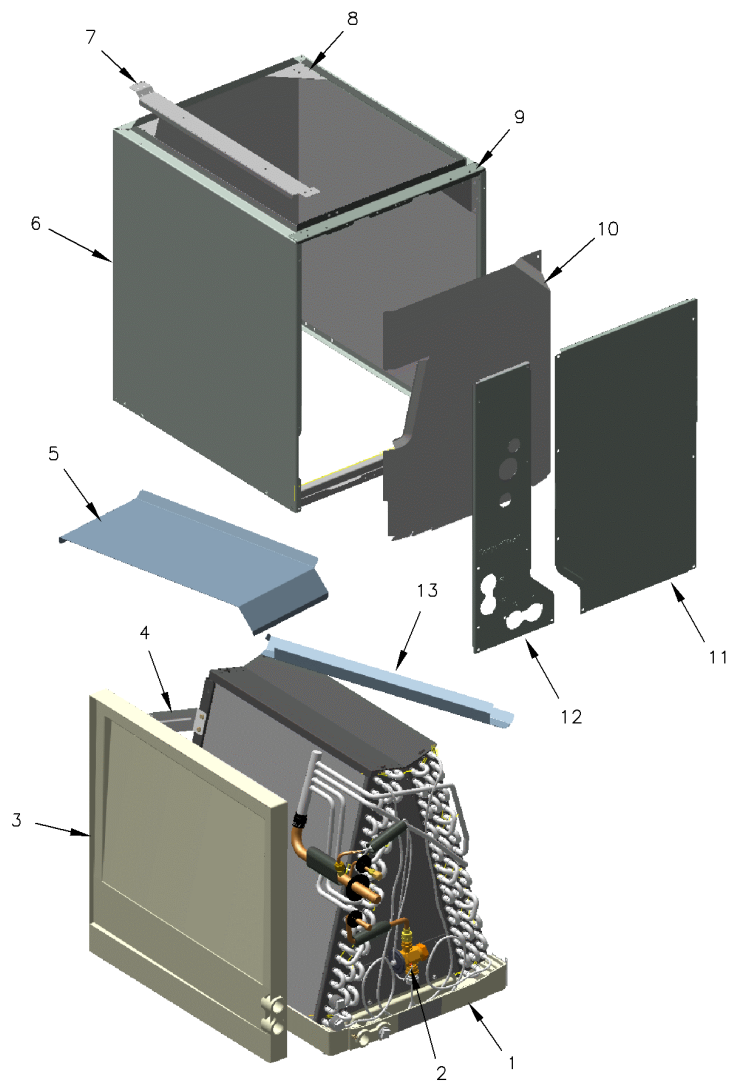
Digit 15 – Service Digit, Not Orderable

COIL

75010399

REV
A

TYPICAL ILLUSTRATION



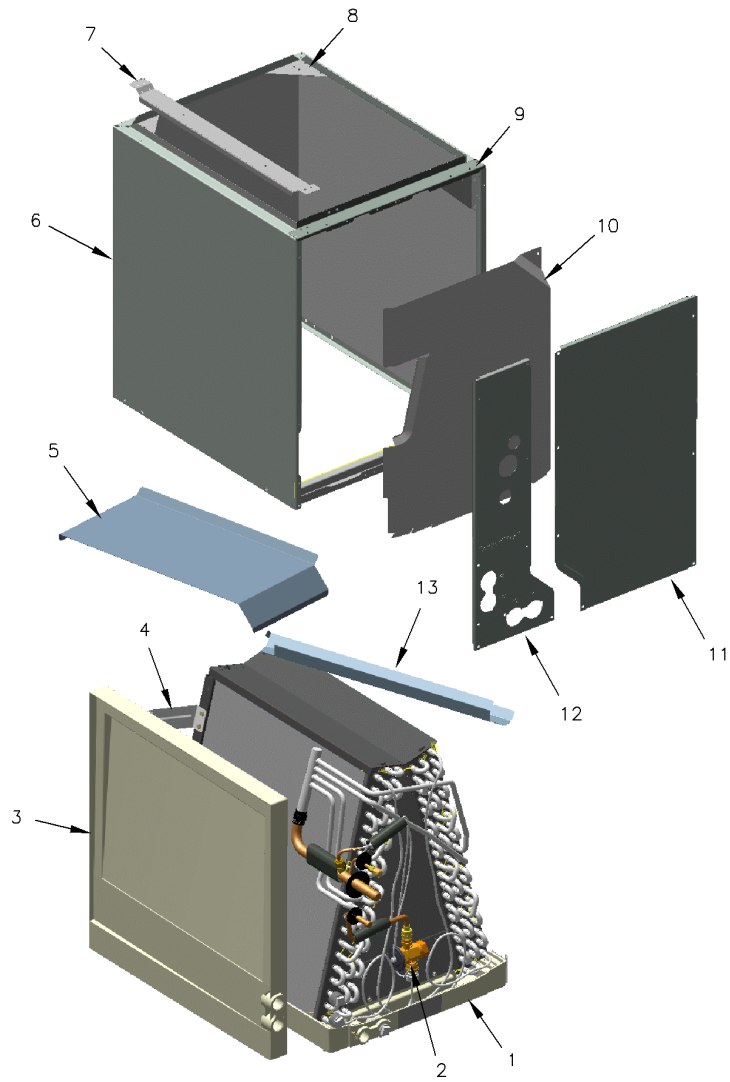
Part No.	Reference No.	Quantity	Description
75010399_4NXCUP1_355925~P	*		COIL PARTS LIST

COIL

75010399

REV
A

TYPICAL ILLUSTRATION



Part No.	Reference No.	Quantity	Description
ANG01172	*	1	ANGLE;
CAP00209	*	1	CAP; THREADED, 9/16
CLP00223	*	1	CLIP; BULB
COR00103	*	1	CORE; VALVE, .79 LENGTH, .206-36 UNS-1 MOD. THD
PLU00457	*	1	PLUG; DRAIN PAN
SUP04114	*	1	SUPPORT; ANGLE, 17.44 X 10.25 X 0.80
PAN03801	1	1	PAN; DRAIN, WITH GASKETS, 16.28 X 21.29
VAL11498	2	1	VALVE; THERMOSTATIC EXPANSION W/ MECHANICAL FITTINGS, R410 REFRIGERANT, 1.5 TON, NON-BLEED PORT, 79/83 PSIG SUPER HEAT, INTERNAL CHECK VALVE, .125 OD
BRK01456	4	1	BRACKET;
PNL18483	6	1	PANEL; WRAPPER, 21.36 L X 17.50 W X 22.50 H, W/O INSULATION
CNL00442	7	1	CHANNEL;
BRK01730	8	2	BRACKET;
ANG00693	9	1	ANGLE;
BRK01706	9	1	BRACKET;ANGLE ASSEMBLY
PNL29208	11	1	PANEL; FRONT
GRM00863	12	1	GROMMET; SUCTION GROMMET
GRM00864	12	2	GROMMET; CONE GROMMET, LIQUID LINE