

Part No.	Reference No.	Quantity	Description
75009915#MYWUP2~S	*		ACCESSORIES
75011854#MYWUP2~S	*		GENERAL ASSEMBLY
75009848#MYWUP2~S	*		MODEL NOMENCLATURE
MYWUP2_MYWUP2_314228~P	*		MYWUP2 PARTS LIST

NO GRAPHIC AVAILABLE

75013702

REV
A

**NO
GRAPHIC
AVAILABLE**

MODEL NOMENCLATURE

75009848

REV
A

Indoor Unit – Inverter High Wall Systems

Model Number Example

4 M X W 6 5 1 2 A 1 0 N 0 B A
1 2 3 4 5 6 7 8 9 10 11 12 13 14 15

Digit 1 = Refrigerant
4 = R-410a

Digit 2 = Brand Name
M = Mini-Split High Wall Unit

Digit 3 = Functional Type
X = Heat Pump
Y = Cooling Only Inverter

Digit 4 = Configuration Indoor Unit
W = High Wall Unit

Digit 5 = Efficiency Tier
6 = 16+ SEER
8 = 18+ SEER

Digit 6 = Connection Type
5 = Flare

Digit 7,8 = Nominal Capacity
(Btu/h x 1,000)

09 = 9,000 Btu/h
12 = 12,000 Btu/h
18 = 18,000 Btu/h
24 = 24,000 Btu/h
30 = 30,000 Btu/h
36 = 36,000 Btu/h

Digit 9 = Major Development Sequence
A = First Development Sequence

Digit 10 = Electric Power Supply Characteristics
1 = 208-230/60/1

Digit 11 = Reserved for Future Use
0 = Not Currently Used

Digit 12 = Regional Markets Served
N = North America Market

Digit 13 = Reserved for Future Use
0 = Not Currently Used

Digit 14 = Minor Design Sequence
A = First Design Sequence
B = Second Design Sequence

Digit 15 = Service Digit
A = First Sequence

Part No.	Reference No.	Quantity	Description
75009848_MYWUP2_314229~P	*		MODEL NOMENCLATURE PARTS LIST

MODEL NOMENCLATURE

75009848

REV
A

Indoor Unit – Inverter High Wall Systems

Model Number Example
4 M X W 6 5 1 2 A 1 0 N 0 B A
1 2 3 4 5 6 7 8 9 10 11 12 13 14 15

Digit 1 = Refrigerant
4 = R-410a

Digit 2 = Brand Name
M = Mini-Split High Wall Unit

Digit 3 = Functional Type
X = Heat Pump
Y = Cooling Only Inverter

Digit 4 = Configuration Indoor Unit
W = High Wall Unit

Digit 5 = Efficiency Tier
6 = 16+ SEER
8 = 18+ SEER

Digit 6 = Connection Type
5 = Flare

Digit 7,8 = Nominal Capacity
(Btu/h x 1,000)

09 = 9,000 Btu/h
12 = 12,000 Btu/h
18 = 18,000 Btu/h
24 = 24,000 Btu/h
30 = 30,000 Btu/h
36 = 36,000 Btu/h

Digit 9 = Major Development Sequence
A = First Development Sequence

Digit 10 = Electric Power Supply Characteristics
1 = 208-230/60/1

Digit 11 = Reserved for Future Use
0 = Not Currently Used

Digit 12 = Regional Markets Served
N = North America Market

Digit 13 = Reserved for Future Use
0 = Not Currently Used

Digit 14 = Minor Design Sequence
A = First Design Sequence
B = Second Design Sequence

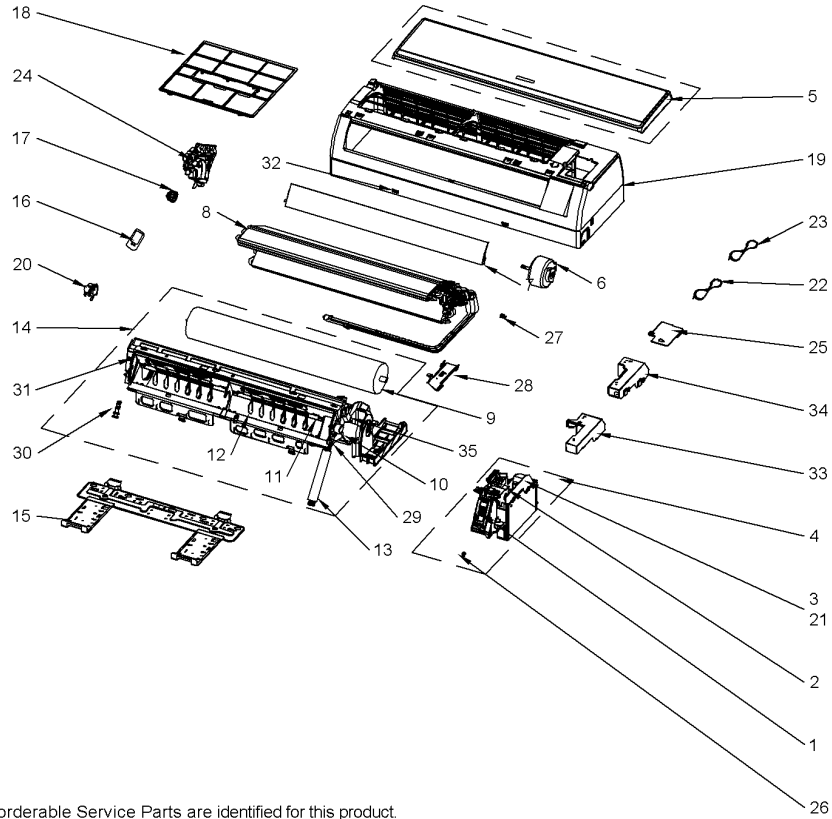
Digit 15 = Service Digit
A = First Sequence

GENERAL ASSEMBLY

75011854

REV
B

* NOT ILLUSTRATED



All orderable Service Parts are identified for this product.

Parts that are not identified, will not be available to order.

This is a typical illustration. The unit in the field may not appear exactly as shown.

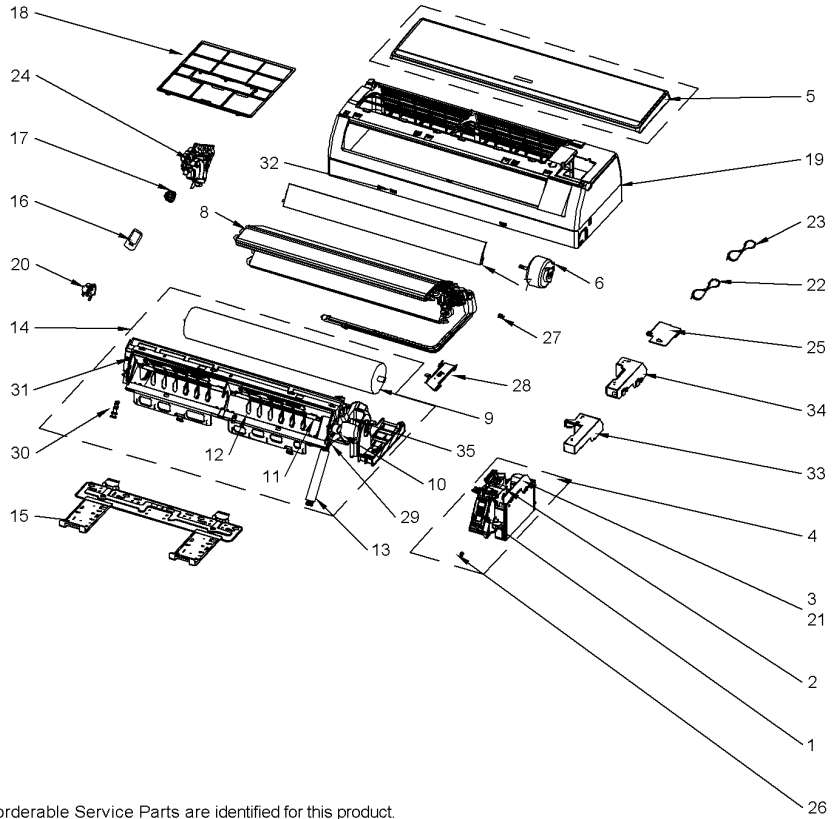
Part No.	Reference No.	Quantity	Description
75011854_MYWUP2_346334~P	*		GENERAL ASSEMBLY PARTS LIST

GENERAL ASSEMBLY

75011854

REV
B

* NOT ILLUSTRATED



All orderable Service Parts are identified for this product.
Parts that are not identified, will not be available to order.
This is a typical illustration. The unit in the field may not appear exactly as shown.

Part No.	Reference No.	Quantity	Description
BRD03951	1	1	BOARD; DISPLAY BOARD(30568112)
BRD02648	2	1	BOARD; TERMINAL,
BRD03946	3	1	BOARD; MAIN BOARD(30138510)
BOX01846	4	1	BOX; ELECTRIC BOX ASSY(20202387)
PNL28904	5	1	PANEL; FRONT
MOT16745	6	1	MOTOR; FAN
GID00114	7	1	GUIDE; GUIDE LOUVER(10512140)
COL18447	8	1	COIL; ASSEMBLY, EVAPORATOR
FAN04439	9	1	FAN; CROSS FLOW FAN(10352036)
MOT13058	10	1	MOTOR; STEP (15012086)
HNG00978	11	1	HINGE; HELICOID TONGUE
LVR00944	12	2	LOUVER; AIR LOUVER(10512160)
HSE01639	13	1	HOSE; DRAINAGE HOSE(0523001407)
CAS01845	14	1	CASING; REAR CASE ASSY(22202154)
FRM01911	15	1	FRAME; WALL MOUNTING FRAME(01252484)
CNT06825	16	1	CONTROL; REMOTE
GKT04728	17	1	GASKET; O RING, BEARING
FLR07242	18	2	FILTER; FILTER SUB-ASSY(11122104)
CAS01848	19	1	CASING; FRONT CASE ASSY(2001249701)
BRG01960	20	1	BEARING; RING
SEN01816	21	1	SENSOR; AMBIENT TEMPERATURE SENSOR(390000453)
SEN01332	22	1	SENSOR, TUBE (390000591)
SEN01817	23	1	SENSOR; TEMPERATURE SENSOR(390000632)
SUP06237	24	1	SUPPORT; EVAPORATOR
COV05259	25	1	COVER; ELECTRIC COVER 2
CON01861	26	1	CONNECTOR; JUMPER
BUS02047	27	1	BUSHING; AXILE
CMP01516	28	1	CLAMP; CONNECTING PIPE
TOL03841	29	1	TOOL; CRANK
PLU01245	30	1	PLUG; DRAIN PAN
BUS02159	31	1	BUSHING; LEFT AXILE
COV05322	32	1	COVER; SCREW
COV05260	33	1	COVER; ELECTRIC BOX
COV05258	34	1	COVER; SHIELD OF ELECTRIC BOX COVER
PLT06201	35	1	PLATE; MOTOR PRESS

ACCESSORIES INDOOR UNITS

75009915

REV
B

* NOT ILLUSTRATED



All orderable Service Parts are identified for this product.
Parts that are not identified, will not be available to order.
This is a typical illustration. The unit in the field may not appear exactly as shown.

Parts List Number :MYWUP2#MYWUP2

Model Number :4MYW6518A10NOBA

Part No.	Reference No.	Quantity	Description
75009915_MYWUP2_346333~P	*		ACCESSORIES PARTS LIST

ACCESSORIES INDOOR UNITS

75009915

REV
B

* NOT ILLUSTRATED



All orderable Service Parts are identified for this product.
Parts that are not identified, will not be available to order.
This is a typical illustration. The unit in the field may not appear exactly as shown.

Part No.	Reference No.	Quantity	Description
HLD00594	*	1	HOLDER; REMOTE CONTROL
PMP01703	1	1	PUMP; MINI ORANGE CONDENSATE PUMP FOR MINI-SPLIT A/C SYSTEMS, 230V
PMP01705	2	1	PUMP; MINI LIME CONDENSATE PUMP FOR MINI-SPLIT A/C SYSTEMS, 230V
PMP01806	3	1	PUMP; MINI WHITE CONDENSATE PUMP FOR MINI-SPLIT A/C SYSTEMS, 230V
PMP01920	4	1	PUMP; MINI AQUA PUMP KIT 230V
PMP01914	5	1	PUMP; MAXI-LIME SLIM DUCT PUMP KIT; 230V WITH DUCT
CNT06868	6	1	CONTROL; REMOTE CONTROLLER, TRANE BRAND
CNT06869	6	1	CONTROL; REMOTE CONTROLLER, AMERICAN STANDARD BRAND
FLR07580	7	1	FILTER; REPLACEMENT FILTER MEDIA; 2-PACK MEDIA, 1 CARBON MEDIA FILTER AND 1 CATECHIN MEDIA