

Part No.	Reference No.	Quantity	Description
75009915#MYWUP2~S	*		ACCESSORIES
75011853#MYWUP2~S	*		GENERAL ASSEMBLY
75009848#MYWUP2~S	*		MODEL NOMENCLATURE
MYWUP2_MYWUP2_314228~P	*		MYWUP2 PARTS LIST

NO GRAPHIC AVAILABLE

75013702

REV
A

**NO
GRAPHIC
AVAILABLE**

MODEL NOMENCLATURE

75009848

REV
A

Indoor Unit – Inverter High Wall Systems

Model Number Example

4 M X W 6 5 1 2 A 1 0 N 0 B A
1 2 3 4 5 6 7 8 9 10 11 12 13 14 15

Digit 1 = Refrigerant
4 = R-410a

Digit 2 = Brand Name
M = Mini-Split High Wall Unit

Digit 3 = Functional Type
X = Heat Pump
Y = Cooling Only Inverter

Digit 4 = Configuration Indoor Unit
W = High Wall Unit

Digit 5 = Efficiency Tier
6 = 16+ SEER
8 = 18+ SEER

Digit 6 = Connection Type
5 = Flare

Digit 7,8 = Nominal Capacity
(Btu/h x 1,000)

09 = 9,000 Btu/h
12 = 12,000 Btu/h
18 = 18,000 Btu/h
24 = 24,000 Btu/h
30 = 30,000 Btu/h
36 = 36,000 Btu/h

Digit 9 = Major Development Sequence
A = First Development Sequence

Digit 10 = Electric Power Supply Characteristics
1 = 208-230/60/1

Digit 11 = Reserved for Future Use
0 = Not Currently Used

Digit 12 = Regional Markets Served
N = North America Market

Digit 13 = Reserved for Future Use
0 = Not Currently Used

Digit 14 = Minor Design Sequence
A = First Design Sequence
B = Second Design Sequence

Digit 15 = Service Digit
A = First Sequence

Part No.	Reference No.	Quantity	Description
75009848_MYWUP2_314229~P	*		MODEL NOMENCLATURE PARTS LIST

MODEL NOMENCLATURE

75009848

REV
A

Indoor Unit – Inverter High Wall Systems

Model Number Example
4 M X W 6 5 1 2 A 1 0 N 0 B A
1 2 3 4 5 6 7 8 9 10 11 12 13 14 15

Digit 1 = Refrigerant
4 = R-410a

Digit 2 = Brand Name
M = Mini-Split High Wall Unit

Digit 3 = Functional Type
X = Heat Pump
Y = Cooling Only Inverter

Digit 4 = Configuration Indoor Unit
W = High Wall Unit

Digit 5 = Efficiency Tier
6 = 16+ SEER
8 = 18+ SEER

Digit 6 = Connection Type
5 = Flare

Digit 7,8 = Nominal Capacity
(Btu/h x 1,000)

09 = 9,000 Btu/h
12 = 12,000 Btu/h
18 = 18,000 Btu/h
24 = 24,000 Btu/h
30 = 30,000 Btu/h
36 = 36,000 Btu/h

Digit 9 = Major Development Sequence
A = First Development Sequence

Digit 10 = Electric Power Supply Characteristics
1 = 208-230/60/1

Digit 11 = Reserved for Future Use
0 = Not Currently Used

Digit 12 = Regional Markets Served
N = North America Market

Digit 13 = Reserved for Future Use
0 = Not Currently Used

Digit 14 = Minor Design Sequence
A = First Design Sequence
B = Second Design Sequence

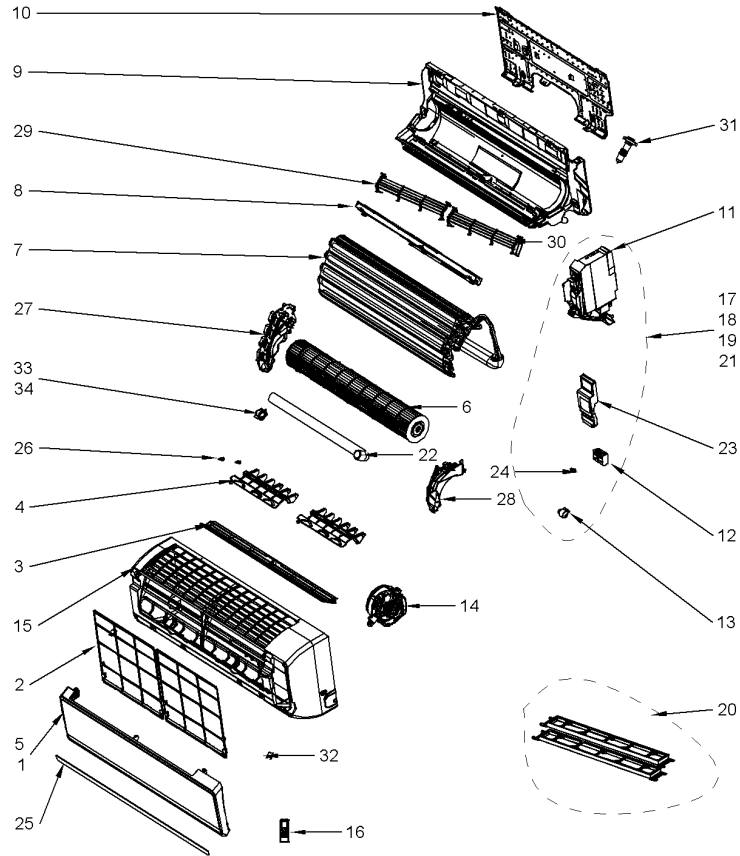
Digit 15 = Service Digit
A = First Sequence

GENERAL ASSEMBLY

75011853

REV
B

* NOT ILLUSTRATED



All orderable Service Parts are identified for this product.
Parts that are not identified, will not be available to order.
This is a typical illustration. The unit in the field may not appear exactly as shown.

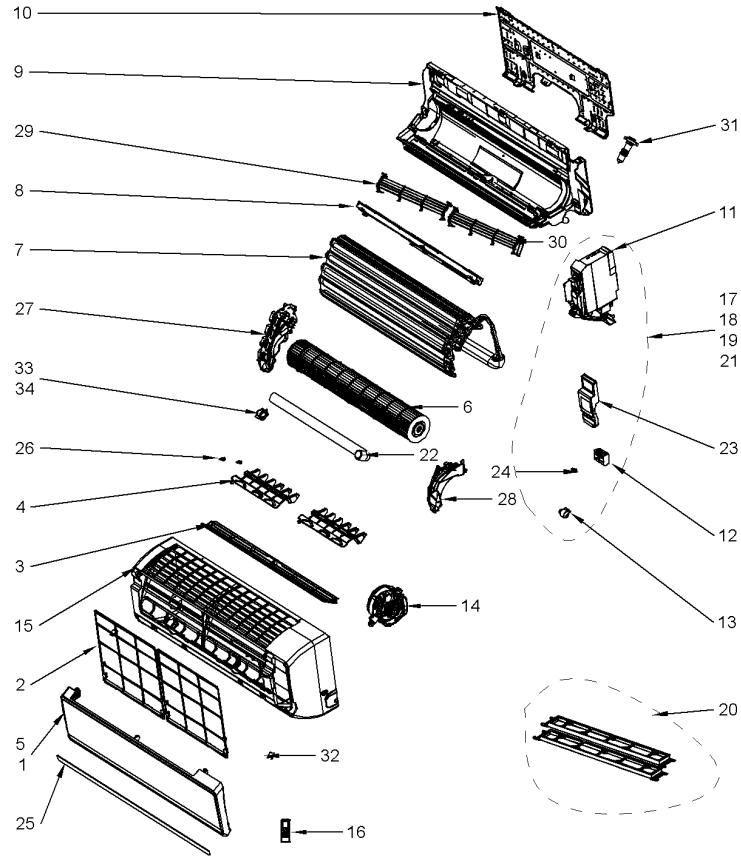
Part No.	Reference No.	Quantity	Description
75011853_MYWUP2_314231~P	*		GENERAL ASSEMBLY PARTS LIST

GENERAL ASSEMBLY

75011853

REV
B

* NOT ILLUSTRATED



All orderable Service Parts are identified for this product.
Parts that are not identified, will not be available to order.
This is a typical illustration. The unit in the field may not appear exactly as shown.

Part No.	Reference No.	Quantity	Description
PNL28902	1	1	PANEL; THREE FRONT
FLR07245	2	2	FILTER; FILTER SUB-ASSY(1112208201)
GID00112	3	1	GUIDE; GUIDE LOUVER(10512119)
LVR00944	4	2	LOUVER; AIR LOUVER(10512160)
FAN04440	6	1	FAN; CROSS FLOW FAN(10352423)
EVP01518	7	1	EVAPORATOR; EVAPORATOR ASSY(01002745)
HNG00980	8	1	HINGE; HELICOID TONGUE
CAS01850	9	1	CASING; REAR CASE ASSY(2220211902)
FRM02081	10	1	FRAME; WALL MOUNTING
CNT06814	11	1	CONTROL; ELECTRIC BOX ASSEMBLY
BRD02648	12	1	BOARD; TERMINAL,
MOT13898	13	1	MOTOR; STEP MOTOR(1521210701)
MOT13896	14	1	MOTOR; FAN MOTOR(1501209301)
CAS01847	15	1	CASING; FRONT CASE ASSY(2001237501)
CNT06825	16	1	CONTROL; REMOTE
BRD04354	17	1	BOARD; MAIN
CPT02073	18	1	CAPACITOR; CBB61
SEN01816	19	1	SENSOR; AMBIENT TEMPERATURE SENSOR(390000453)
FRM02366	20	1	FRAME; CATECHIN SUB-ASSY
CNT06818	21	1	CONTROL; ELECTRIC BOX SUB-ASSEMBLY
PIP01375	22	1	PIPE; ASSEMBLY, DRAINAGE
COV04867	23	1	COVER; ELECTRIC BOX COVER SUB-ASSY
LVR01187	24	1	LOUVER; SIDE GUIDE
PNL34658	25	1	PANEL; DECORATIVE STRIP
LVR01227	26	2	LOUVER; SHAFT OF GUIDE
SUP06236	27	1	SUPPORT; EVAPORATOR
PLT06200	28	1	PLATE; MOTOR PRESS
GRL02075	29	1	GRILLE; REAR SUB ASSY
GRL02074	30	1	GRILLE; REAR SUB ASSY 2
PLU01300	31	1	PLUG; PIPE (OUTLET)
COV05321	32	1	COVER; SCREW
WAS01319	33	1	WASHER; DAMPING, SUB-ASSY
BUS02191	34	1	BUSHING; AXILE, SUB ASSY

ACCESSORIES INDOOR UNITS

75009915

REV
B

* NOT ILLUSTRATED



All orderable Service Parts are identified for this product.
Parts that are not identified, will not be available to order.
This is a typical illustration. The unit in the field may not appear exactly as shown.

ACCESSORIES

Parts List Number :MYWUP2#MYWUP2

Model Number :4MYW6512A10NOBA

Part No.	Reference No.	Quantity	Description
75009915_MYWUP2_314230~P	*		ACCESSORIES PARTS LIST

ACCESSORIES INDOOR UNITS

75009915

REV
B

* NOT ILLUSTRATED



All orderable Service Parts are identified for this product.
Parts that are not identified, will not be available to order.
This is a typical illustration. The unit in the field may not appear exactly as shown.

Part No.	Reference No.	Quantity	Description
HLD00507	*	1	HOLDER; REMOTE
PMP01703	1	1	PUMP; MINI ORANGE CONDENSATE PUMP FOR MINI-SPLIT A/C SYSTEMS, 230V
PMP01705	2	1	PUMP; MINI LIME CONDENSATE PUMP FOR MINI-SPLIT A/C SYSTEMS, 230V
PMP01806	3	1	PUMP; MINI WHITE CONDENSATE PUMP FOR MINI-SPLIT A/C SYSTEMS, 230V
PMP01920	4	1	PUMP; MINI AQUA PUMP KIT 230V
PMP01914	5	1	PUMP; MAXI-LIME SLIM DUCT PUMP KIT; 230V WITH DUCT
CNT06868	6	1	CONTROL; REMOTE CONTROLLER, TRANE BRAND
CNT06869	6	1	CONTROL; REMOTE CONTROLLER, AMERICAN STANDARD BRAND
FLR07582	7	1	FILTER; REPLACEMENT FILTER MEDIA; 2-PACK MEDIA, 1 CARBON MEDIA FILTER AND 1 CATECHIN MEDIA FILTER