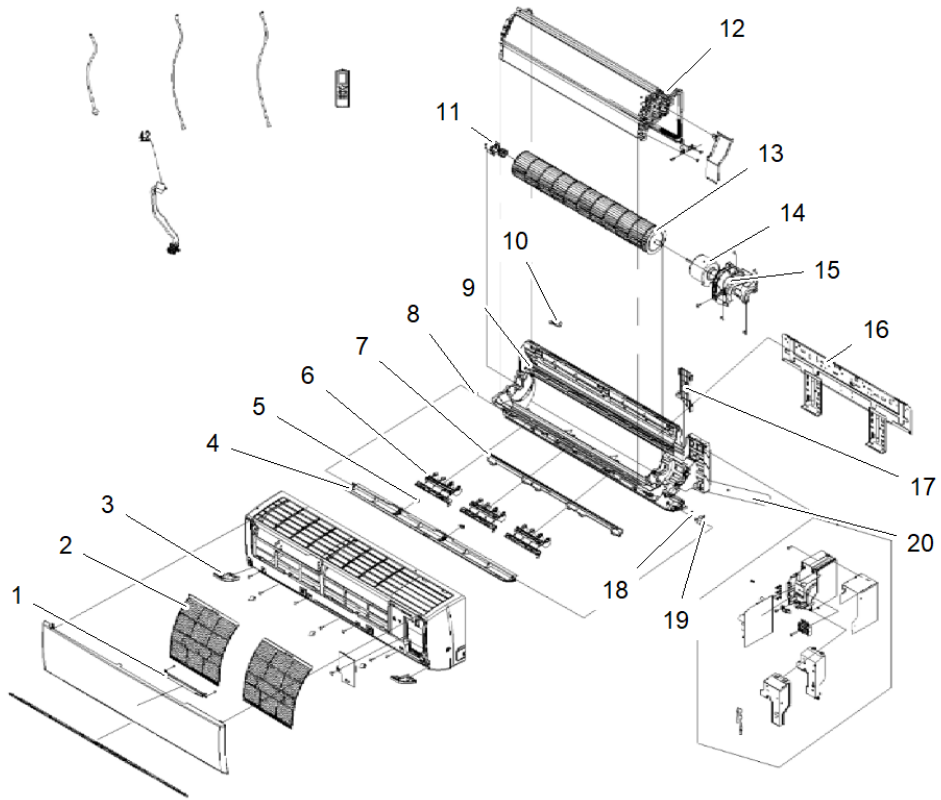


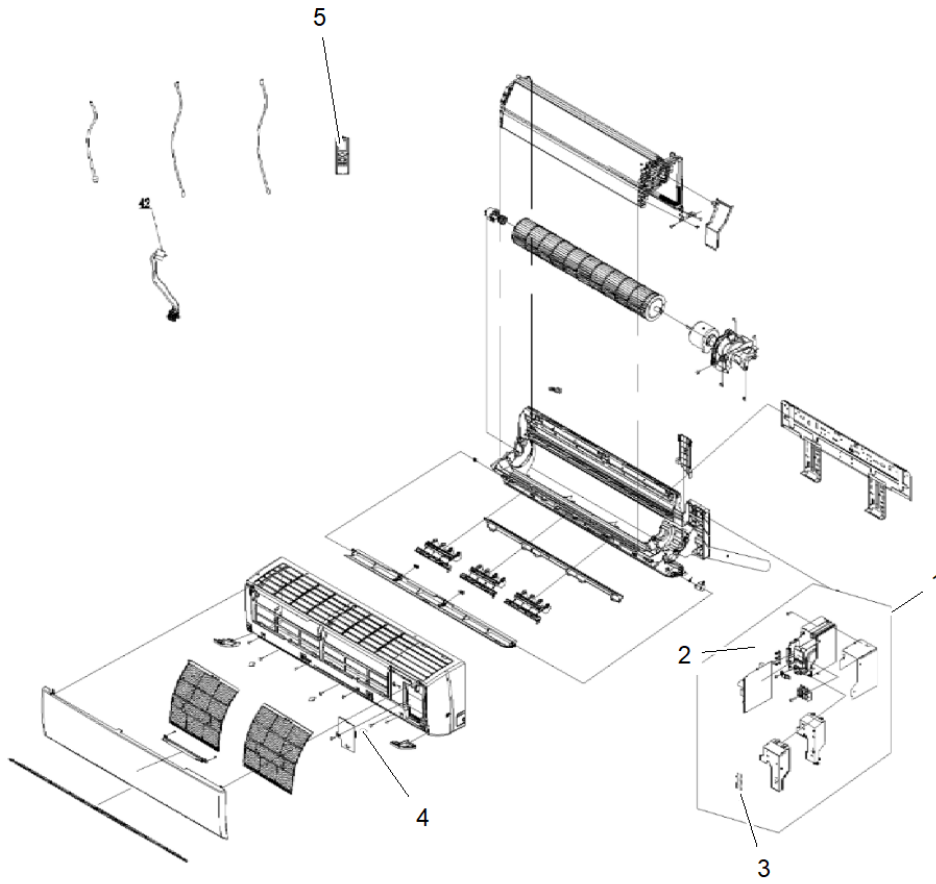
Part No.	Reference No.	Quantity	Description
0000157033~S	*		General Assembly 1
0000157034~S	*		General Assembly 2
0000157032~S	*		Model Number Description

Part No.	Reference No.	Quantity	Description
0000030650~P	*		General Assembly 1



Part No.	Reference No.	Quantity	Description
BRD05637	1	1	BOARD; DISPLAY
FLR08990	2	2	FILTER; INDOOR UNIT AIR FILTER LEFT AND RIGHT (QTY 2)
BRD05535	3	1	BOARD; DECORATIVE (LEFT AND RIGHT SIDES)
LVR01189	4	1	LOUVER; GUIDE 33 X 4 X 1
BUS02047	5	2	BUSHING; AXILE
LVR01198	6	3	LOUVER; AIR (MANUAL)
BRK04747	7	1	BRACKET; AIR OUTLET
BUS02159	8	1	BUSHING; LEFT AXILE
CAS02085	9	1	CASE; REAR ASSEMBLY
PLU01245	10	1	PLUG; DRAIN PAN
BRG01961	11	1	BEARING; RING
COL28284	12	1	COIL; EVAPORATOR ASSY
FAN05604	13	1	FAN; CROSS FLOW
MOT17359	14	1	MOTOR; FAN
PLT05904	15	1	PLATE; MOTOR MOUNTING (PLASTIC)
PLT05903	16	1	PLATE; MOTOR MOUNTING (METAL)
COV05105	17	1	COVER; REFRIGERANT PIPE
LVR01187	18	1	LOUVER; SIDE GUIDE
MOT17358	19	1	MOTOR; STEPPER
HSE01636	20	1	HOSE; DRAINAGE HOSE

Part No.	Reference No.	Quantity	Description
000030671~P	*		General Assembly 2



Part No.	Reference No.	Quantity	Description
CNT08802	1	1	CONTROL; ELECTRIC BOX ASSEMBLY
CAP01324	2	1	CAP; JUMPER
SEN02447	3	1	SENSOR; TEMPERATURE
COV05146	4	3	COVER; SCREW
CNT08675	5	1	CONTROL; REMOTE

Part No.	Reference No.	Quantity	Description
000030639~P	*		Model Number Description(Indoor Unit)

MODEL NUMBER DESCRIPTION	75015157	REV A
17/25 SEER Mini Split LOMO Indoor		
<i>Example Model Number:</i> 4MXW1709A10N0AA <small>1 - - - 5 - - - 10 - - - 15</small>		
Digits 1 – Refrigerant 4 = R-410A		
Digits 2 – Unit Type M = Indoor Unit		
Digits 3 – Functional Type X = Heat Pump Inverter Y = Cooling Only Inverter		
Digits 4 – Configuration Indoor Unit W = High Wall Unit		
Digits 5, 6 – Efficiency Tier 17 = 17 SEER 25 = 25 SEER		
Digits 7, 8 – Nominal Capacity (Btu/h x 1,000) 09 = 9,000 Btu/h 12 = 12,000 Btu/h 18 = 18,000 Btu/h 24 = 24,000 Btu/h 30 = 30,000 Btu/h 36 = 36,000 Btu/h		
Digits 9 – Major Development Sequence A = First Development Sequence		
Digits 10 – Electric Power Supply Characteristics 1 = 208-230/60/1		
Digits 11 – Reserved for Future Use 0 = Not Currently Used		
Digits 12 – Regional Markets Served (1:1 Systems) N = North America Market		
Digits 13 – Reserved for Future Use 0 = Not Currently Used		
Digits 14 – Minor Design Sequence A = First Design Sequence		
Digits 15 – Service Digit A = First Sequence		
1 of 1		

