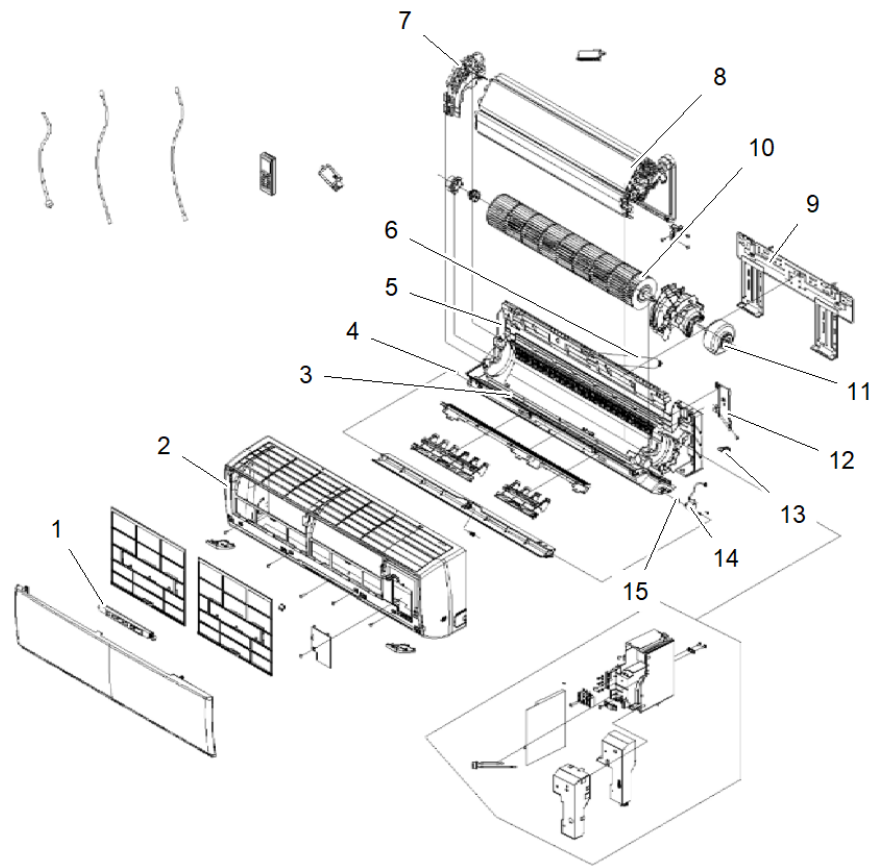


Parts List Number :0000157031

Model Number :4MYW1709A10N0AA

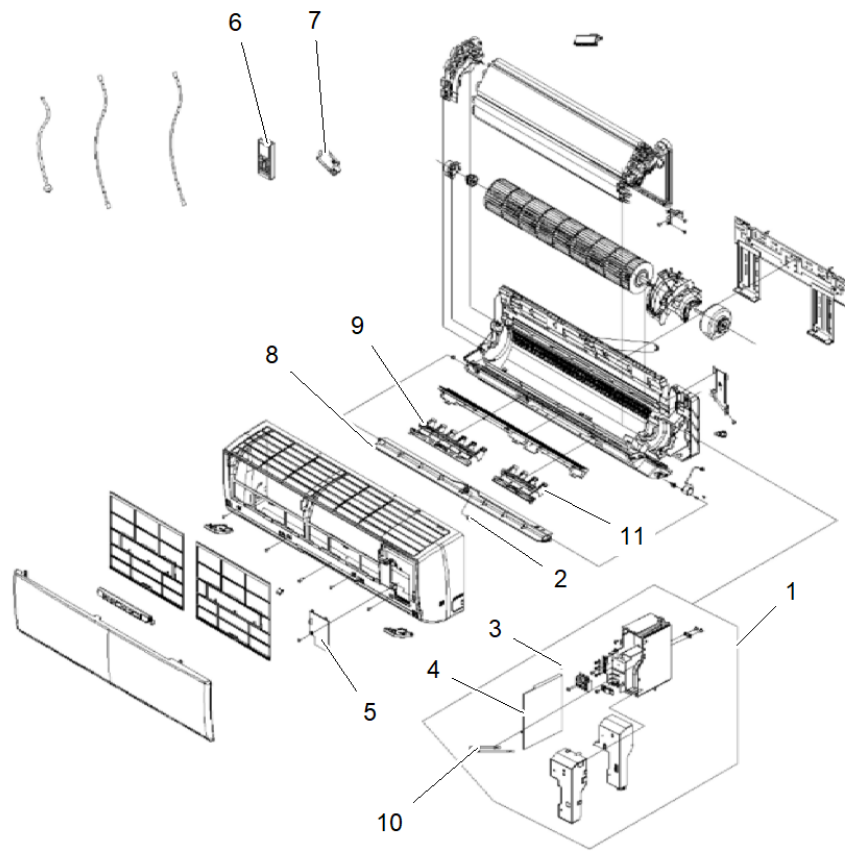
<b>Part No.</b>	<b>Reference No.</b>	<b>Quantity</b>	<b>Description</b>
0000157033~S	*		General Assembly 1
0000157034~S	*		General Assembly 2
0000157032~S	*		Model Number Description

Part No.	Reference No.	Quantity	Description
0000030642~P	*		General Assembly 1



<b>Part No.</b>	<b>Reference No.</b>	<b>Quantity</b>	<b>Description</b>
BRD05637	1	1	BOARD; DISPLAY
PNL33744	2	1	PANEL; FRONT CASE ASSEMBLY
BRK04748	3	1	BRACKET; AIR OUTLET
BUS02159	4	1	BUSHING; LEFT AXILE
PNL33745	5	1	PANEL; REAR CASE ASSEMBLY
HSE01922	6	1	HOSE; DRAINAGE HOSE
SUP06162	7	1	SUPPORT; COIL
EVP02922	8	1	EVAPORATOR; ASSEMBLY
FRM02298	9	1	FRAME; WALL MOUNTING
FAN05633	10	1	FAN; CROSS FLOW
MOT16743	11	1	MOTOR; FAN
COV05141	12	1	COVER; REFRIGERANT PIPE
PLU01245	13	1	PLUG; DRAIN PAN
MOT14616	14	1	MOTOR; STEPPER
LVR01187	15	1	LOUVER; SIDE GUIDE

Part No.	Reference No.	Quantity	Description
000030644~P	*		General Assembly 2



<b>Part No.</b>	<b>Reference No.</b>	<b>Quantity</b>	<b>Description</b>
BOX04482	1	1	BOX; ELECTRIC
BUS02047	2	1	BUSHING; AXILE
WIR08173	3	1	WIRE; PLASTIC JUMPER CAP, NUMBER 2
BRD07830	4	1	BOARD; MAIN
BOX02991	5	1	BOX; ELECTRIC COVER SUB ASSEMBLY
CNT08675	6	1	CONTROL; REMOTE
PNL38742	7	1	PANEL; CHECKING ASSY
LVR01249	8	1	LOUVER; GUIDE
LVR01246	9	1	LOUVER; SWING
SEN02447	10	1	SENSOR; TEMPERATURE
LVR01245	11	1	LOUVER; SWING

<b>Part No.</b>	<b>Reference No.</b>	<b>Quantity</b>	<b>Description</b>
000030639~P	*		Model Number Description(Indoor Unit)

<b>MODEL NUMBER DESCRIPTION</b>	<b>75015157</b>	REV <b>A</b>
17/25 SEER Mini Split LOMO Indoor		
<i>Example Model Number:</i> <b>4MXW1709A10N0AA</b> <small>1 - - - 5 - - - 10 - - - 15</small>		
<b>Digits 1 – Refrigerant</b> 4 = R-410A		
<b>Digits 2 – Unit Type</b> M = Indoor Unit		
<b>Digits 3 – Functional Type</b> X = Heat Pump Inverter Y = Cooling Only Inverter		
<b>Digits 4 – Configuration Indoor Unit</b> W = High Wall Unit		
<b>Digits 5, 6 – Efficiency Tier</b> 17 = 17 SEER 25 = 25 SEER		
<b>Digits 7, 8 – Nominal Capacity (Btu/h x 1,000)</b> 09 = 9,000 Btu/h 12 = 12,000 Btu/h 18 = 18,000 Btu/h 24 = 24,000 Btu/h 30 = 30,000 Btu/h 36 = 36,000 Btu/h		
<b>Digits 9 – Major Development Sequence</b> A = First Development Sequence		
<b>Digits 10 – Electric Power Supply Characteristics</b> 1 = 208-230/60/1		
<b>Digits 11 – Reserved for Future Use</b> 0 = Not Currently Used		
<b>Digits 12 – Regional Markets Served (1:1 Systems)</b> N = North America Market		
<b>Digits 13 – Reserved for Future Use</b> 0 = Not Currently Used		
<b>Digits 14 – Minor Design Sequence</b> A = First Design Sequence		
<b>Digits 15 – Service Digit</b> A = First Sequence		
1 of 1		

