

<b>Part No.</b>	<b>Reference No.</b>	<b>Quantity</b>	<b>Description</b>
4MXWUP3_4MXWUP3_176337~ P	*		4MXWUP3 PARTS LIST
75011269#4MXWUP3~S	*		ACCESSORIES INDOOR
75011266#4MXWUP3~S	*		CONTROLS
75011268#4MXWUP3~S	*		GENERAL ASSEMBLY
75011263#4MXWUP3~S	*		MODEL NOMENCLATURE

NO GRAPHIC AVAILABLE

75013702

REV  
A

**NO  
GRAPHIC  
AVAILABLE**

MODEL NUMBER DESCRIPTION

75011263

REV.  
A

16 SEER Mini Split LOMO Indoor

*Example Model Number:*

**4MXW1612A10N0AA**  
1 - - - 5 - - - - 10 - - - - 15

**Digits 1 – Refrigerant**

4 = R-410A

**Digits 2 – Unit Type**

M = Indoor Unit

**Digits 3 – Functional Type**

X = Heat Pump Inverter  
Y = Cooling Only Inverter

**Digits 4 – Configuration Indoor Unit**

W = High Wall Unit

**Digits 5, 6 – Efficiency Tier**

16 = 16 SEER

**Digits 7, 8 – Nominal Capacity (Btu/h x 1,000)**

09 = 9,000 Btu/h  
12 = 12,000 Btu/h  
18 = 18,000 Btu/h  
24 = 24,000 Btu/h

**Digits 9 – Major Development Sequence**

A = First Development Sequence

**Digits 10 – Electric Power Supply Characteristics**

1 = 208-230/60/1

**Digits 11 – Reserved for Future Use**

0 = Not Currently Used

**Digits 12 – Regional Markets Served (1:1 Systems)**

N = North America Market

**Digits 13 – Reserved for Future Use**

0 = Not Currently Used

**Digits 14 – Minor Design Sequence**

A = First Design Sequence

**Digits 15 – Service Digit**

A = First Sequence

Part No.	Reference No.	Quantity	Description
75011263_4MXWUP3_176339~P	*		MODEL NOMENCLATURE PARTS LIST

MODEL NUMBER DESCRIPTION

75011263

REV.  
A

16 SEER Mini Split LOMO Indoor

*Example Model Number:*  
**4MXW1612A10N0AA**  
1 - - - 5 - - - 10 - - - 15

**Digits 1 – Refrigerant**

4 = R-410A

**Digits 2 – Unit Type**

M = Indoor Unit

**Digits 3 – Functional Type**

X = Heat Pump Inverter  
Y = Cooling Only Inverter

**Digits 4 – Configuration Indoor Unit**

W = High Wall Unit

**Digits 5, 6 – Efficiency Tier**

16 = 16 SEER

**Digits 7, 8 – Nominal Capacity (Btu/h x 1,000)**

09 = 9,000 Btu/h  
12 = 12,000 Btu/h  
18 = 18,000 Btu/h  
24 = 24,000 Btu/h

**Digits 9 – Major Development Sequence**

A = First Development Sequence

**Digits 10 – Electric Power Supply Characteristics**

1 = 208-230/60/1

**Digits 11 – Reserved for Future Use**

0 = Not Currently Used

**Digits 12 – Regional Markets Served (1:1 Systems)**

N = North America Market

**Digits 13 – Reserved for Future Use**

0 = Not Currently Used

**Digits 14 – Minor Design Sequence**

A = First Design Sequence

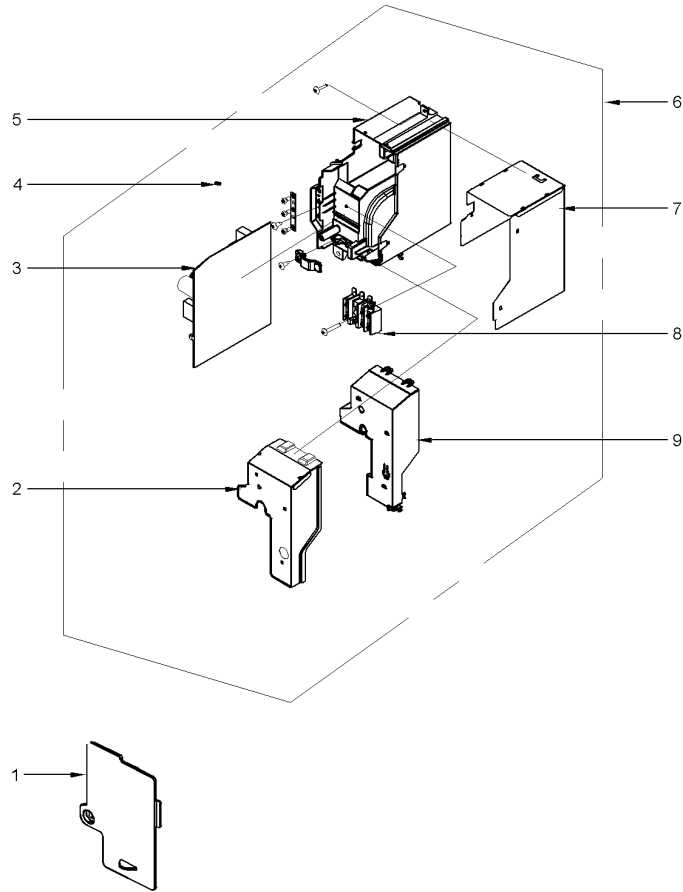
**Digits 15 – Service Digit**

A = First Sequence

16 SEER HIGH WALL UNITS  
INDOOR 1.5 & 2.0 TON ELECTRIC BOX ASSEMBLY

75011266

REV.  
A



All orderable Service Parts are identified for this product.

Parts that are not identified, will not be available to order.

This is a typical illustration. The unit in the field may not appear exactly as shown.

CONTROLS

Parts List Number :4MXWUP3#4MXWUP3

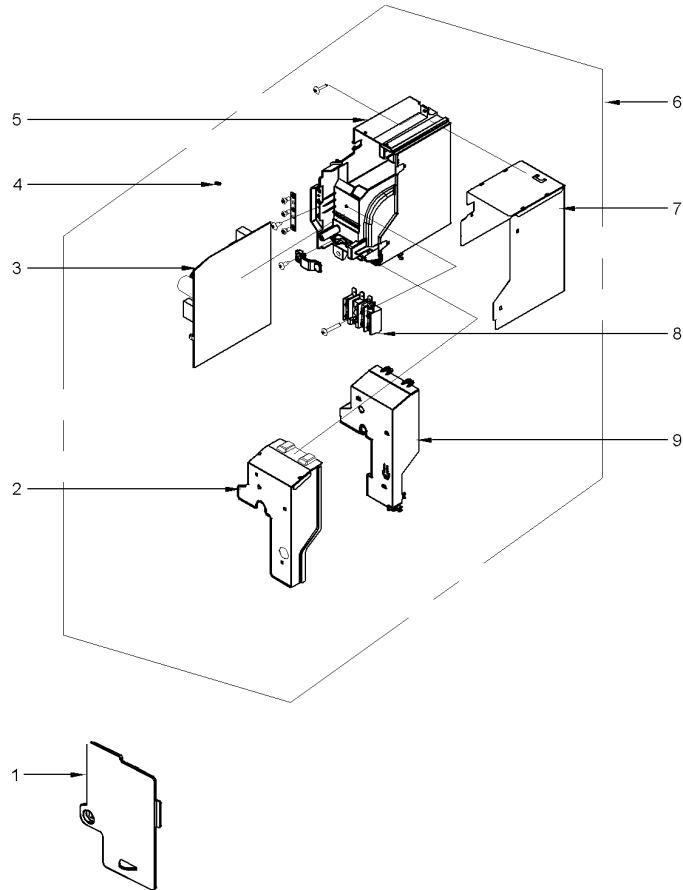
Model Number :4MYW1624A10N0AA

Part No.	Reference No.	Quantity	Description
75011266_4MXWUP3_363961~P	*		CONTROLS PARTS LIST

16 SEER HIGH WALL UNITS  
INDOOR 1.5 & 2.0 TON ELECTRIC BOX ASSEMBLY

75011266

REV.  
A



All orderable Service Parts are identified for this product.  
Parts that are not identified, will not be available to order.  
This is a typical illustration. The unit in the field may not appear exactly as shown.

CONTROLS PARTS LIST

Parts List Number :4MXWUP3#4MXWUP3

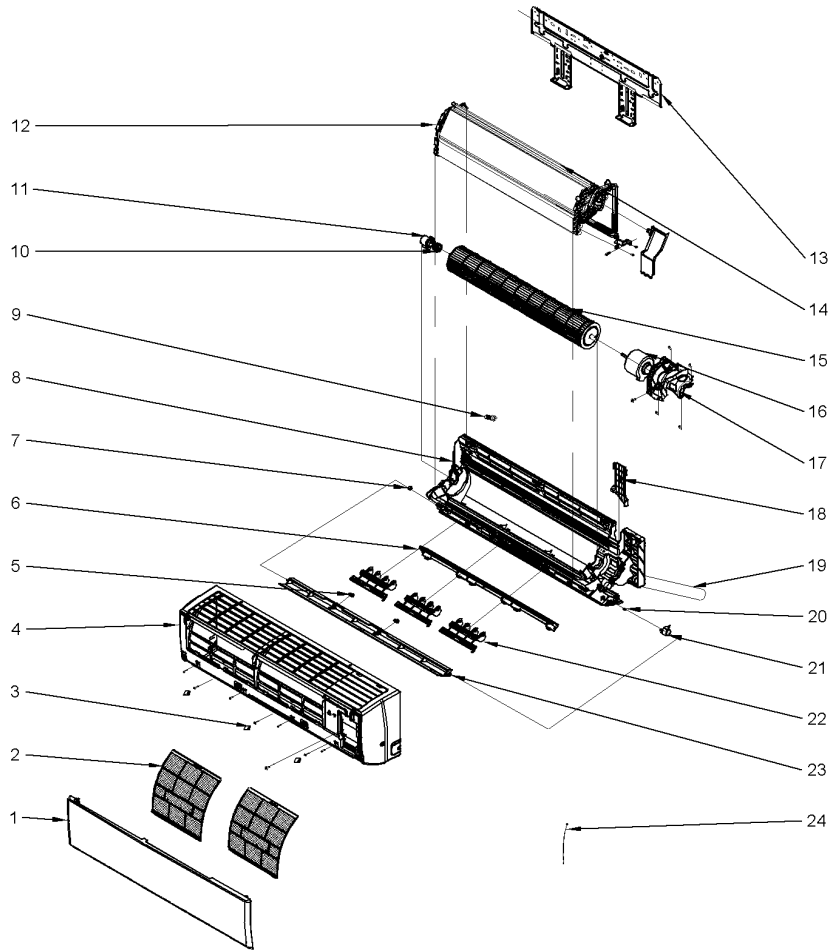
Model Number :4MYW1624A10N0AA

<b>Part No.</b>	<b>Reference No.</b>	<b>Quantity</b>	<b>Description</b>
COV05103	1	1	COVER; TERMINAL
COV05099	2	1	COVER; ELECTRIC BOX (METAL)
BRD05616	3	1	BOARD; MAIN
CAP01325	4	1	CAP; JUMPER
BOX02965	5	1	BOX; ELECTRIC
BOX02986	6	1	BOX; ELECTRIC ASSEMBLY
BOX02964	7	1	BOX; LOWER SHIELD
BRD02648	8	1	BOARD; TERMINAL,
COV05102	9	1	COVER; ELECTRIC BOX (PLASTIC)

16 SEER HIGH WALL UNITS  
INDOOR 1.5 & 2.0 TON GENERAL ASSEMBLY

75011268

REV.  
A



All orderable Service Parts are identified for this product.

Parts that are not identified, will not be available to order.

This is a typical illustration. The unit in the field may not appear exactly as shown.

Parts List Number :4MXWUP3#4MXWUP3

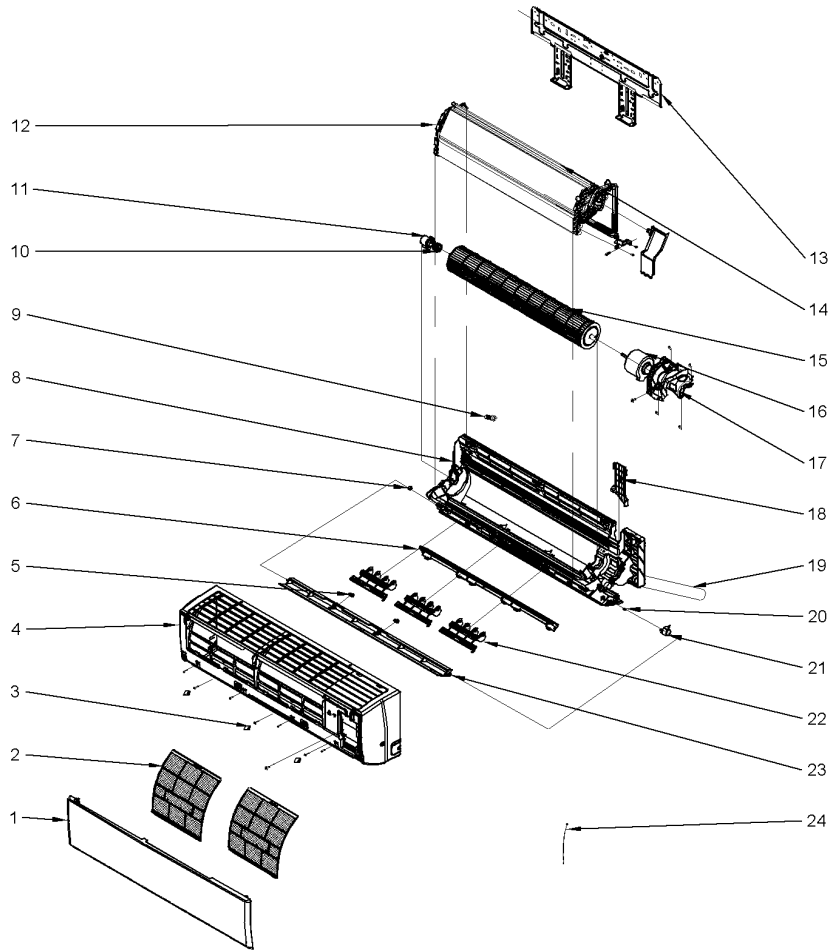
Model Number :4MYW1624A10N0AA

Part No.	Reference No.	Quantity	Description
75011268_4MXWUP3_356682~P	*		GENERAL ASSEMBLY PARTS LIST

16 SEER HIGH WALL UNITS  
INDOOR 1.5 & 2.0 TON GENERAL ASSEMBLY

75011268

REV.  
A



All orderable Service Parts are identified for this product.

Parts that are not identified, will not be available to order.

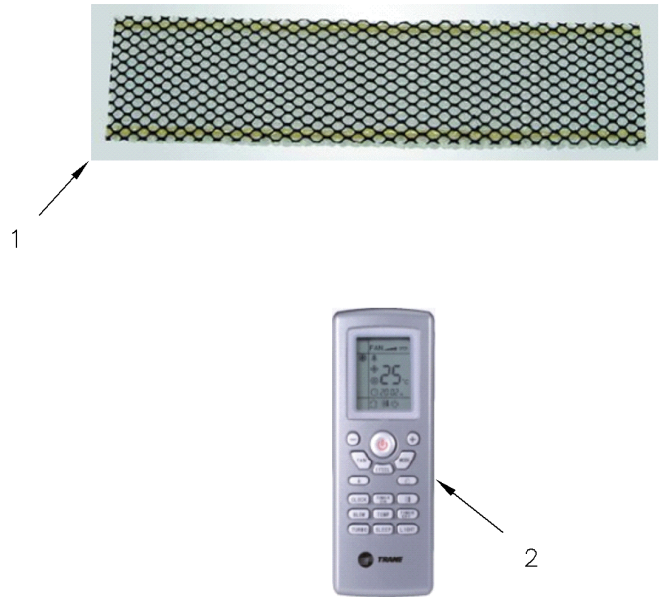
This is a typical illustration. The unit in the field may not appear exactly as shown.

Part No.	Reference No.	Quantity	Description
BRD05637	*	1	BOARD; DISPLAY
PNL33740	1	1	PANEL; FRONT
FLR08324	2	2	FILTER; SUB-ASSY
COV05145	3	3	COVER; SCREW
PNL33741	4	1	PANEL; FRONT CASE ASSEMBLY
BUS02047	5	2	BUSHING; AXILE
BRK04750	6	1	BRACKET; AIR OUTLET SUB ASSEMBLY
BUS02159	7	1	BUSHING; LEFT AXILE
CAS02084	8	1	CASE; REAR ASSEMBLY
PLU01245	9	1	PLUG; DRAIN PAN
GKT04728	10	1	GASKET; O RING, BEARING
BRG01961	11	1	BEARING; RING
SUP06160	12	1	SUPPORT; COIL
FRM02297	13	1	FRAME; WALL MOUNTING
COL27455	14	1	COIL; EVAP
FAN05632	15	1	FAN; CROSS FLOW
MOT17353	16	1	MOTOR; FAN
PLT05944	17	1	PLATE; MOTOR MOUNTING
COV05142	18	1	COVER; REFRIGERANT PIPE
HSE01638	19	1	HOSE; DRAINAGE HOSE
LVR01187	20	1	LOUVER; SIDE GUIDE
MOT17358	21	1	MOTOR; STEPPER
LVR01199	22	3	LOUVER; AIR (MANUAL)
LVR01188	23	1	LOUVER; GUIDE
SEN02447	24	1	SENSOR; TEMPERATURE

ACCESSORIES INDOOR

75011269

REV  
A



All orderable Service Parts are identified for this product.  
Parts that are not identified, will not be available to order.  
This is a typical illustration. The unit in the field may not appear exactly as shown.

Parts List Number :4MXWUP3#4MXWUP3

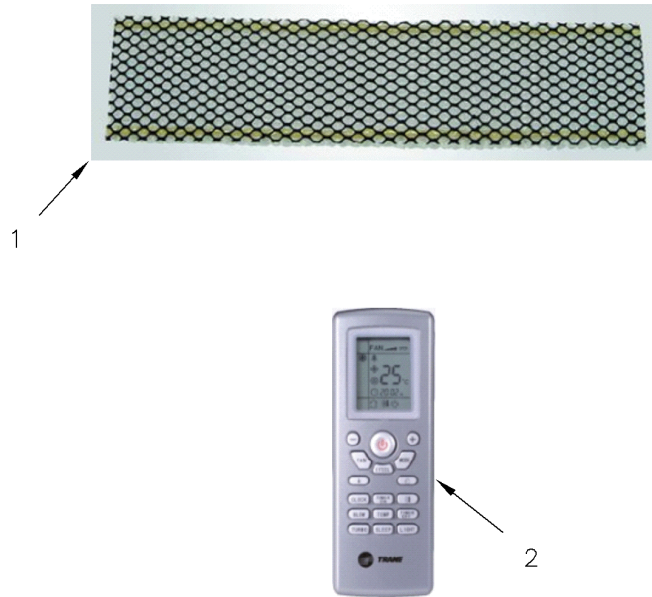
Model Number :4MYW1624A10N0AA

Part No.	Reference No.	Quantity	Description
75011269_4MXWUP3_176344~P	*		ACCESSORIES INDOOR PARTS LIST

ACCESSORIES INDOOR

75011269

REV  
A



All orderable Service Parts are identified for this product.  
Parts that are not identified, will not be available to order.  
This is a typical illustration. The unit in the field may not appear exactly as shown.

<b>Part No.</b>	<b>Reference No.</b>	<b>Quantity</b>	<b>Description</b>
FLR07515	1	1	FILTER; REPLACEMENT FILTER MEDIA; 2-PACK MEDIA, 1 CARBON MEDIA FILTER AND 1 CATECHIN MEDIA FILTER
AREMOTE2AHANDA	2	1	REMOTE CONTROLLER -AMERICAN STANDARD BRAND
TREMOTE2AHANDA	2	1	WIRELESS CONTROLLER FOR (MULT)