

<b>Part No.</b>	<b>Reference No.</b>	<b>Quantity</b>	<b>Description</b>
4MXWUP3_4MXWUP3_176337~ P	*		4MXWUP3 PARTS LIST
75011269#4MXWUP3~S	*		ACCESSORIES INDOOR
75011265#4MXWUP3~S	*		CONTROLS
75011267#4MXWUP3~S	*		GENERAL ASSEMBLY
75011263#4MXWUP3~S	*		MODEL NOMENCLATURE

NO GRAPHIC AVAILABLE

75013702

REV  
A

**NO  
GRAPHIC  
AVAILABLE**

MODEL NUMBER DESCRIPTION

75011263

REV.  
A

16 SEER Mini Split LOMO Indoor

*Example Model Number:*

**4MXW1612A10N0AA**  
1 - - - 5 - - - 10 - - - 15

**Digits 1 – Refrigerant**

4 = R-410A

**Digits 2 – Unit Type**

M = Indoor Unit

**Digits 3 – Functional Type**

X = Heat Pump Inverter  
Y = Cooling Only Inverter

**Digits 4 – Configuration Indoor Unit**

W = High Wall Unit

**Digits 5, 6 – Efficiency Tier**

16 = 16 SEER

**Digits 7, 8 – Nominal Capacity (Btu/h x 1,000)**

09 = 9,000 Btu/h  
12 = 12,000 Btu/h  
18 = 18,000 Btu/h  
24 = 24,000 Btu/h

**Digits 9 – Major Development Sequence**

A = First Development Sequence

**Digits 10 – Electric Power Supply Characteristics**

1 = 208-230/60/1

**Digits 11 – Reserved for Future Use**

0 = Not Currently Used

**Digits 12 – Regional Markets Served (1:1 Systems)**

N = North America Market

**Digits 13 – Reserved for Future Use**

0 = Not Currently Used

**Digits 14 – Minor Design Sequence**

A = First Design Sequence

**Digits 15 – Service Digit**

A = First Sequence

Parts List Number :4MXWUP3#4MXWUP3

Model Number :4MYW1612A10N0AA

Part No.	Reference No.	Quantity	Description
75011263_4MXWUP3_176339~P	*		MODEL NOMENCLATURE PARTS LIST

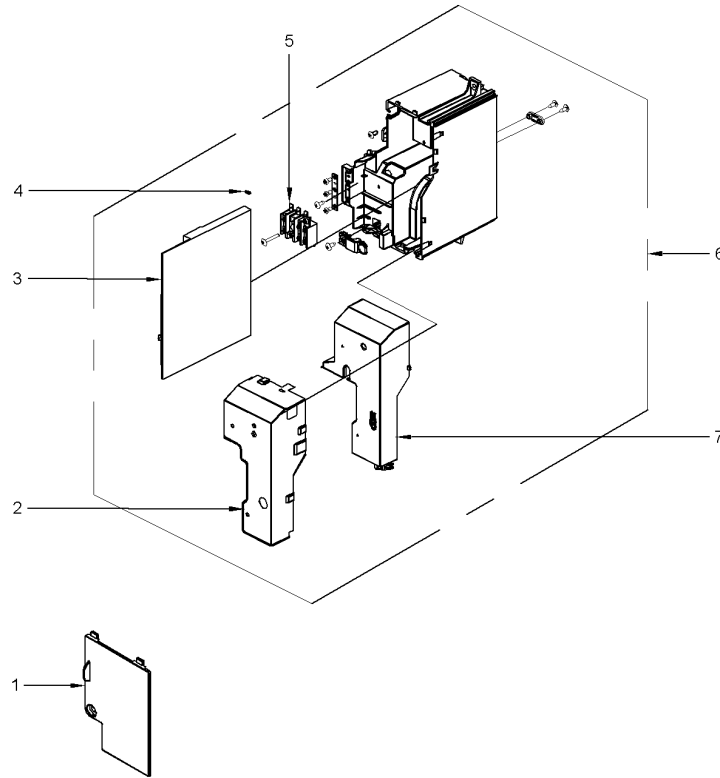
<b>MODEL NUMBER DESCRIPTION</b>	75011263	REV. A
16 SEER Mini Split LOMO Indoor		
<i>Example Model Number:</i> <b>4MXW1612A10N0AA</b> <small>1 - - - 5 - - - - 10 - - - - 15</small>		
<b>Digits 1 – Refrigerant</b> 4 = R-410A		
<b>Digits 2 – Unit Type</b> M = Indoor Unit		
<b>Digits 3 – Functional Type</b> X = Heat Pump Inverter Y = Cooling Only Inverter		
<b>Digits 4 – Configuration Indoor Unit</b> W = High Wall Unit		
<b>Digits 5, 6 – Efficiency Tier</b> 16 = 16 SEER		
<b>Digits 7, 8 – Nominal Capacity (Btu/h x 1,000)</b> 09 = 9,000 Btu/h 12 = 12,000 Btu/h 18 = 18,000 Btu/h 24 = 24,000 Btu/h		
<b>Digits 9 – Major Development Sequence</b> A = First Development Sequence		
<b>Digits 10 – Electric Power Supply Characteristics</b> 1 = 208-230/60/1		
<b>Digits 11 – Reserved for Future Use</b> 0 = Not Currently Used		
<b>Digits 12 – Regional Markets Served (1:1 Systems)</b> N = North America Market		
<b>Digits 13 – Reserved for Future Use</b> 0 = Not Currently Used		
<b>Digits 14 – Minor Design Sequence</b> A = First Design Sequence		
<b>Digits 15 – Service Digit</b> A = First Sequence		
1 of 1		

16 SEER HIGH WALL UNITS

75011265

REV.  
A

INDOOR 0.75 & 1.0 TON ELECTRIC BOX ASSEMBLY



All orderable Service Parts are identified for this product.

Parts that are not identified, will not be available to order.

This is a typical illustration. The unit in the field may not appear exactly as shown.

CONTROLS

Parts List Number :4MXWUP3#4MXWUP3

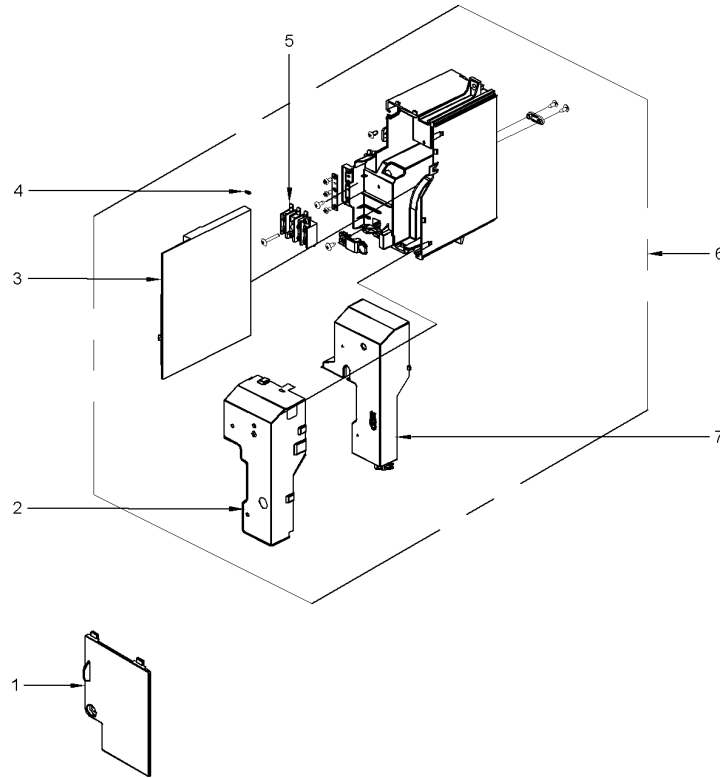
Model Number :4MYW1612A10N0AA

Part No.	Reference No.	Quantity	Description
75011265_4MXWUP3_308206~P	*		CONTROLS PARTS LIST

16 SEER HIGH WALL UNITS  
INDOOR 0.75 & 1.0 TON ELECTRIC BOX ASSEMBLY

75011265

REV.  
A



All orderable Service Parts are identified for this product.

Parts that are not identified, will not be available to order.

This is a typical illustration. The unit in the field may not appear exactly as shown.

## CONTROLS PARTS LIST

Parts List Number :4MXWUP3#4MXWUP3

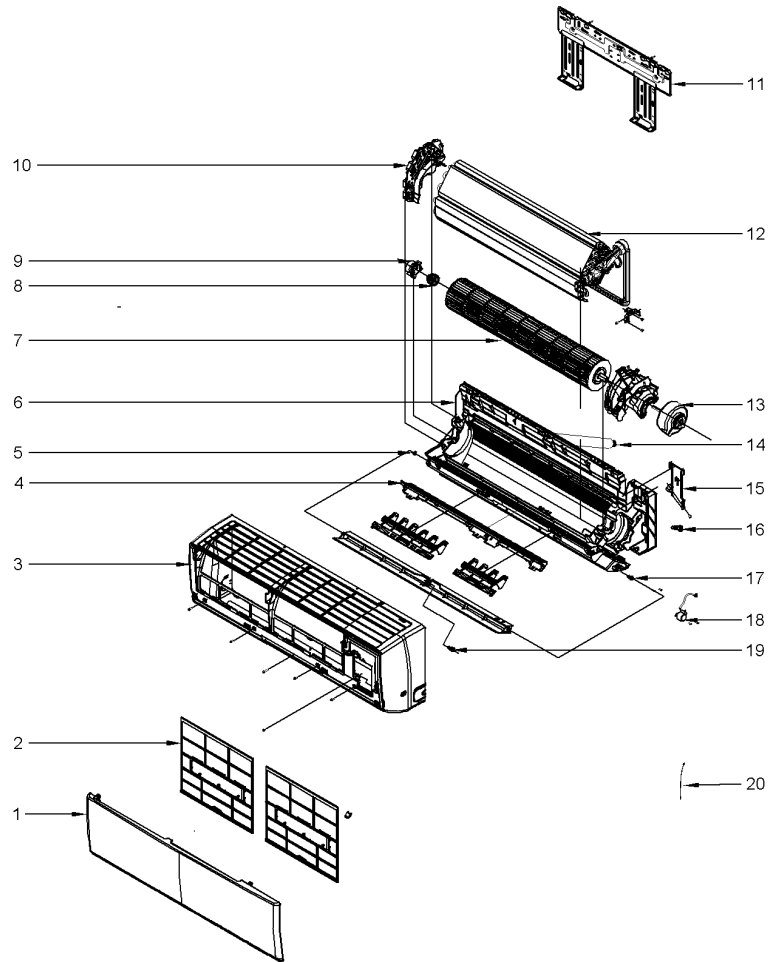
Model Number :4MYW1612A10N0AA

<b>Part No.</b>	<b>Reference No.</b>	<b>Quantity</b>	<b>Description</b>
BOX02991	1	1	BOX; ELECTRIC COVER SUB ASSEMBLY
COV05100	2	1	COVER; ELECTRIC BOX (METAL)
BRD05619	3	1	BOARD; MAIN
CAP01323	4	1	CAP; JUMPER
BRD02648	5	1	BOARD; TERMINAL,
BOX02985	6	1	BOX; ELECTRIC ASSEMBLY
BOX02963	7	1	BOX; ELECTRIC COVER

16 SEER HIGH WALL UNITS  
INDOOR 0.75 & 1.0 TON GENERAL ASSEMBLY

75011267

REV  
B



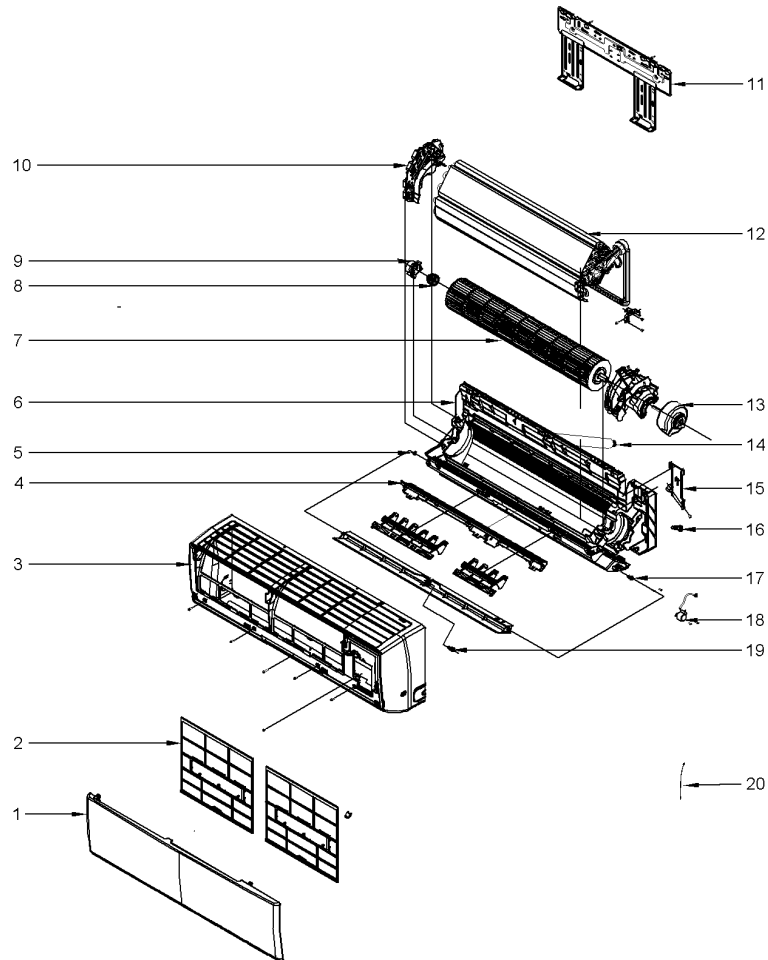
All orderable Service Parts are identified for this product.  
Parts that are not identified, will not be available to order.  
This is a typical illustration. The unit in the field may not appear exactly as shown.

Part No.	Reference No.	Quantity	Description
75011267_4MXWUP3_278326~P	*		GENERAL ASSEMBLY PARTS LIST

16 SEER HIGH WALL UNITS  
INDOOR 0.75 & 1.0 TON GENERAL ASSEMBLY

75011267

REV  
B



All orderable Service Parts are identified for this product.

Parts that are not identified, will not be available to order.

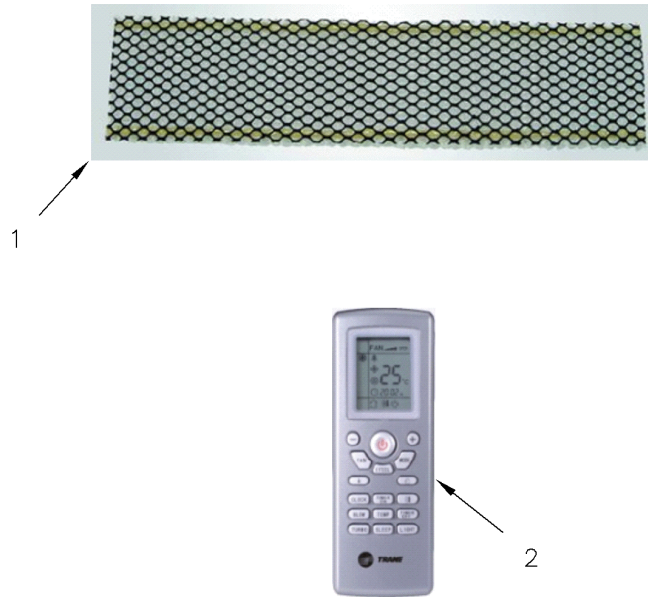
This is a typical illustration. The unit in the field may not appear exactly as shown.

Part No.	Reference No.	Quantity	Description
BRD05637	*	1	BOARD; DISPLAY
PNL33567	1	1	PANEL; FRONT
FLR08361	2	2	FILTER; MESH
PNL33742	3	1	PANEL; FRONT CASE ASSEMBLY
BRK04749	4	1	BRACKET; AIR OUTLET
BUS02159	5	1	BUSHING; LEFT AXILE
CAS02083	6	1	CASE; REAR ASSEMBLY
FAN05631	7	1	FAN; CROSS FLOW
GKT04728	8	1	GASKET; O RING, BEARING
BRG01960	9	1	BEARING; RING
SUP06161	10	1	SUPPORT; COIL
FRM01911	11	1	FRAME; WALL MOUNTING FRAME( 01252484)
COL27454	12	1	COIL; EVAP
MOT17354	13	1	MOTOR; FAN
HSE01636	14	1	HOSE; DRAINAGE HOSE
COV05141	15	1	COVER; REFRIGERANT PIPE
PLU01245	16	1	PLUG; DRAIN PAN
LVR01187	17	1	LOUVER; SIDE GUIDE
MOT13898	18	1	MOTOR; STEP MOTOR( 1521210701)
BUS02047	19	1	BUSHING; AXILE

ACCESSORIES INDOOR

75011269

REV  
A



All orderable Service Parts are identified for this product.  
Parts that are not identified, will not be available to order.  
This is a typical illustration. The unit in the field may not appear exactly as shown.

Parts List Number :4MXWUP3#4MXWUP3

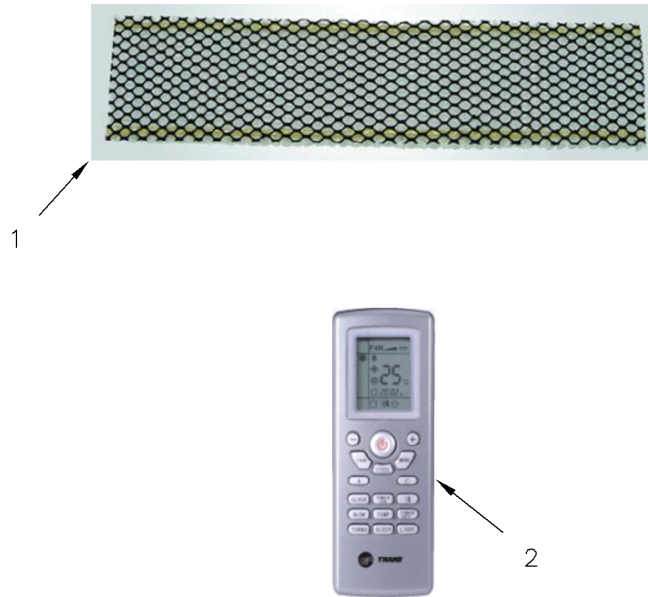
Model Number :4MYW1612A10N0AA

Part No.	Reference No.	Quantity	Description
75011269_4MXWUP3_176344~P	*		ACCESSORIES INDOOR PARTS LIST

ACCESSORIES INDOOR

75011269

REV  
A



All orderable Service Parts are identified for this product.  
Parts that are not identified, will not be available to order.  
This is a typical illustration. The unit in the field may not appear exactly as shown.

<b>Part No.</b>	<b>Reference No.</b>	<b>Quantity</b>	<b>Description</b>
FLR07515	1	1	FILTER; REPLACEMENT FILTER MEDIA; 2-PACK MEDIA, 1 CARBON MEDIA FILTER AND 1 CATECHIN MEDIA FILTER
AREMOTE2AHANDA	2	1	REMOTE CONTROLLER -AMERICAN STANDARD BRAND
TREMOTE2AHANDA	2	1	WIRELESS CONTROLLER FOR (MULT)