

<b>Part No.</b>	<b>Reference No.</b>	<b>Quantity</b>	<b>Description</b>
4MXFUP1_4MXFUP1_151295~P	*		4MXFUP1 PARTS LIST
75010018#4MXFUP1~S	*		GENERAL ASSEMBLY CONVERTIBLE (FLOOR/CEILING)
75010006#4MXFUP1~S	*		INDOOR MODEL NOMENCLATURE

NO GRAPHIC AVAILABLE

75013702

REV  
A

**NO  
GRAPHIC  
AVAILABLE**

MODEL NOMENCLATURE

75010006

REV  
A

G. Indoor Unit – Inverter 1:1 & Multi-Split Systems

Model Number Example

**4 M X W 6 5 1 2 A 1 0 N 0 B A**  
**1 2 3 4 5 6 7 8 9 10 11 12 13 14 15**

Digit 1 = Refrigerant  
4 = R-410a

Digit 2 = Brand Name  
M = Mini-Split Indoor Unit

Digit 3 = Functional Type  
X = Heat Pump Inverter  
Y = Cooling Only Inverter

Digit 4 = Configuration Indoor Unit  
W = High Wall Unit  
D = Concealed (Duct) Unit  
C = Cassette Unit  
F = Floor Console Unit  
X = Convertible (Floor/Ceiling) Mount

Digit 5 = Efficiency Tier  
6 = 16+ SEER  
8 = 18+ SEER

Digit 6 = Connection Type  
5 = Flare

Digit 7,8 = Nominal Capacity  
(Btu/h x 1,000)

09 = 9,000 Btu/h  
12 = 12,000 Btu/h  
18 = 18,000 Btu/h  
24 = 24,000 Btu/h  
30 = 30,000 Btu/h  
36 = 36,000 Btu/h

Digit 9 = Major Development Sequence  
A = First Development Sequence

Digit 10 = Electric Power Supply Characteristics  
1 = 208-230/60/1

Digit 11 = Reserved for Future Use  
0 = Not Currently Used

Digit 12 = Regional Markets Served  
N = North America Market

Digit 13 = Reserved for Future Use  
0 = Not Currently Used

Digit 14 = Minor Design Sequence  
A = First Design Sequence  
B = Second Design Sequence

Digit 15 = Service Digit  
A = First Sequence

Part No.	Reference No.	Quantity	Description
75010006_4MXFUP1_151296~P	*		INDOOR MODEL NOMENCLATURE PARTS LIST

MODEL NOMENCLATURE

75010006

REV  
A

G. Indoor Unit – Inverter 1:1 & Multi-Split Systems

Model Number Example

**4 M X W 6 5 1 2 A 1 0 N 0 B A**  
**1 2 3 4 5 6 7 8 9 10 11 12 13 14 15**

Digit 1 = Refrigerant

4 = R-410a

Digit 2 = Brand Name

M = Mini-Split Indoor Unit

Digit 3 = Functional Type

X = Heat Pump Inverter

Y = Cooling Only Inverter

Digit 4 = Configuration Indoor Unit

W = High Wall Unit

D = Concealed (Duct) Unit

C = Cassette Unit

F = Floor Console Unit

X = Convertible (Floor/Ceiling) Mount

Digit 5 = Efficiency Tier

6 = 16+ SEER

8 = 18+ SEER

Digit 6 = Connection Type

5 = Flare

Digit 7,8 = Nominal Capacity

(Btu/h x 1,000)

09 = 9,000 Btu/h

12 = 12,000 Btu/h

18 = 18,000 Btu/h

24 = 24,000 Btu/h

30 = 30,000 Btu/h

36 = 36,000 Btu/h

Digit 9 = Major Development Sequence

A = First Development Sequence

Digit 10 = Electric Power Supply Characteristics

1 = 208-230/60/1

Digit 11 = Reserved for Future Use

0 = Not Currently Used

Digit 12 = Regional Markets Served

N = North America Market

Digit 13 = Reserved for Future Use

0 = Not Currently Used

Digit 14 = Minor Design Sequence

A = First Design Sequence

B = Second Design Sequence

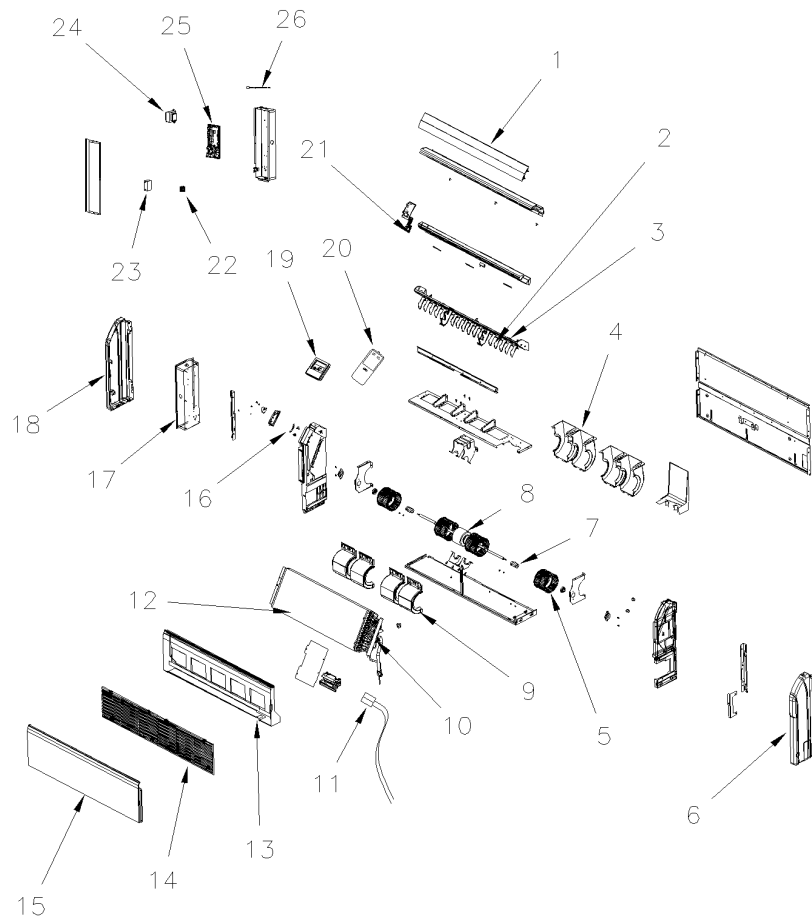
Digit 15 = Service Digit

A = First Sequence

GENERAL ASSEMBLY

75010018

REV  
A



\* NOT ILLUSTRATED  
TYPICAL ILLUSTRATION

Parts List Number :4MXFUP1#4MXFUP1

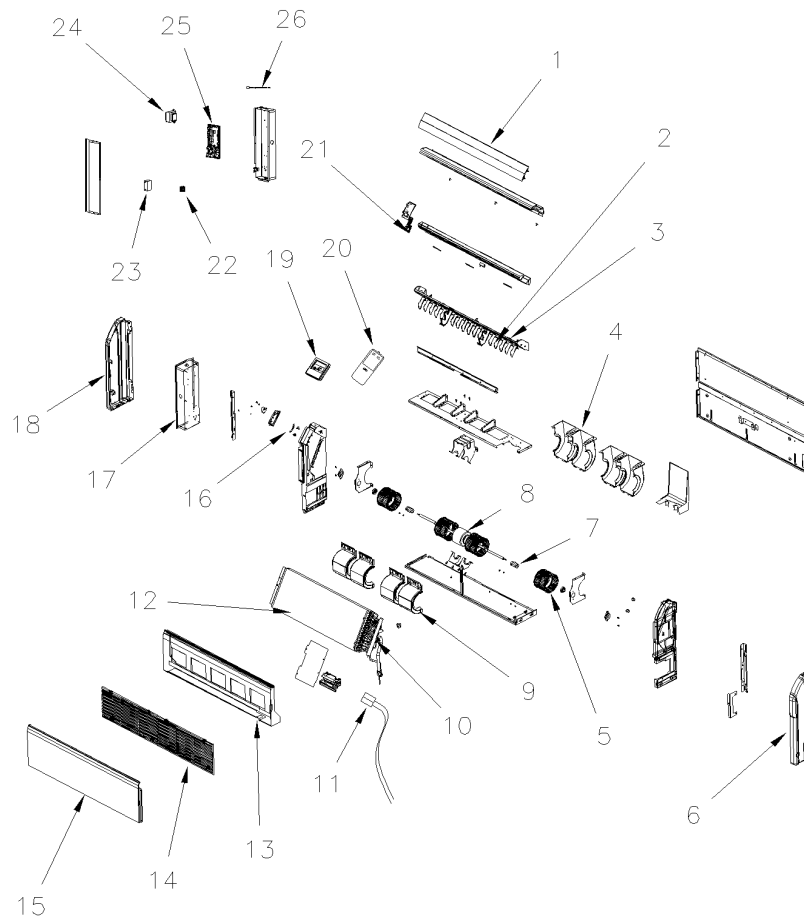
Model Number :4MXX8518A10N0AA

Part No.	Reference No.	Quantity	Description
75010018_4MXFUP1_151297~P	*		GENERAL ASSEMBLY CONVERTIBLE (FLOOR/CEILING) PARTS LIST

GENERAL ASSEMBLY

75010018

REV  
A



\* NOT ILLUSTRATED  
TYPICAL ILLUSTRATION

Parts List Number :4MXFUP1#4MXFUP1

Model Number :4MXX8518A10N0AA

Part No.	Reference No.	Quantity	Description
PIP01684	*	1	PIPE; DRAIN PIPE
LVR01143	1	2	LOUVER; GUIDE
LVR01144	2	16	LOUVER; AIR
FRM02160	3	1	FRAME; BASE
HUS04121	4	4	HOUSING; FRONT VOLUTE CASING
FAN05031	5	4	FAN; CENTRIFUGAL FAN
PNL29826	6	1	PANEL; RIGHT COVER PLATE
UNN00978	7	2	UNION; JOINT SLACK
MOT16157	8	1	MOTOR; FAN
HUS04122	9	4	HOUSING; REAR VOLUTE CASING
FLR07802	10	1	FILTER;
SEN02186	11	1	SENSOR; TEMPERATURE, 20KT-XH-2P(RED)
COL20397	12	1	COIL; EVAPORATOR ASSY
PAN03414	13	1	PAN; WATER TRAY ASSY
GRL01919	14	2	GRILLE; FRONT SUB-ASSY
PNL29831	15	1	PANEL; TOP COVER BOARD SUB-ASSY
MOT16160	16	1	MOTOR; STEP
CNT07044	17	1	CONTROL; ELECTRIC BOX ASSY
PNL29836	18	1	PANEL; LEFT COVER PLATE
CNT07041	19	1	CONTROLLER; WIRED
CNT07032	20	1	CONTROLLER; REMOTE
BRD04887	21	1	BOARD; DISPLAY
BRD03953	22	1	BOARD; TERMINAL BOARD( 420111041)
CPT01223	23	1	CAPACITOR; FAN, 2.5UF/450V
TRR02149	24	1	TRANSFORMER; (43110257)
BRD04896	25	1	BOARD; MAIN
SEN02190	26	1	SENSOR; TEMPERATURE