

| <b>Part No.</b>          | <b>Reference No.</b> | <b>Quantity</b> | <b>Description</b>                           |
|--------------------------|----------------------|-----------------|--|
| 4MXFUP1_4MXFUP1_151295~P | *                    |                 | 4MXFUP1 PARTS LIST                           |
| 75010017#4MXFUP1~S       | *                    |                 | GENERAL ASSEMBLY CONVERTIBLE (FLOOR/CEILING) |
| 75010006#4MXFUP1~S       | *                    |                 | INDOOR MODEL NOMENCLATURE                    |

NO GRAPHIC AVAILABLE

75013702

REV  
A

**NO  
GRAPHIC  
AVAILABLE**

MODEL NOMENCLATURE

75010006

REV  
A

G. Indoor Unit – Inverter 1:1 & Multi-Split Systems

Model Number Example

**4 M X W 6 5 1 2 A 1 0 N 0 B A**  
**1 2 3 4 5 6 7 8 9 10 11 12 13 14 15**

Digit 1 = Refrigerant  
 4 = R-410a

Digit 2 = Brand Name  
 M = Mini-Split Indoor Unit

Digit 3 = Functional Type  
 X = Heat Pump Inverter  
 Y = Cooling Only Inverter

Digit 4 = Configuration Indoor Unit  
 W = High Wall Unit  
 D = Concealed (Duct) Unit  
 C = Cassette Unit  
 F = Floor Console Unite  
 X = Convertible (Floor/Ceiling) Mount

Digit 5 = Efficiency Tier  
 6 = 16+ SEER  
 8 = 18+ SEER

Digit 6 = Connection Type  
 5 - Flare

Digit 7,8 = Nominal Capacity  
 (Btu/h x 1,000)

09 = 9,000 Btu/h  
 12 = 12,000 Btu/h  
 18 = 18,000 Btu/h  
 24 = 24,000 Btu/h  
 30 = 30,000 Btu/h  
 36 = 36,000 Btu/h

Digit 9 = Major Development Sequence  
 A = First Development Sequence

Digit 10 = Electric Power Supply Characteristics  
 1 = 208-230/60/1

Digit 11 = Reserved for Future Use  
 0 = Not Currently Used

Digit 12 = Regional Markets Served  
 N = North America Market

Digit 13 = Reserved for Future Use  
 0 = Not Currently Used

Digit 14 = Minor Design Sequence  
 A = First Design Sequence  
 B = Second Design Sequence

Digit 15 = Service Digit  
 A = First Sequence

| Part No.                  | Reference No. | Quantity | Description                          |
|---------------------------|---------------|----------|--------------------------------------|
| 75010006_4MXFUP1_151296~P | *             |          | INDOOR MODEL NOMENCLATURE PARTS LIST |

MODEL NOMENCLATURE

75010006

REV  
A

G. Indoor Unit – Inverter 1:1 & Multi-Split Systems

Model Number Example

**4 M X W 6 5 1 2 A 1 0 N 0 B A**  
**1 2 3 4 5 6 7 8 9 10 11 12 13 14 15**

Digit 1 = Refrigerant  
4 = R-410a

Digit 2 = Brand Name  
M = Mini-Split Indoor Unit

Digit 3 = Functional Type  
X = Heat Pump Inverter  
Y = Cooling Only Inverter

Digit 4 = Configuration Indoor Unit  
W = High Wall Unit  
D = Concealed (Duct) Unit  
C = Cassette Unit  
F = Floor Console Unite  
X = Convertible (Floor/Ceiling) Mount

Digit 5 = Efficiency Tier  
6 = 16+ SEER  
8 = 18+ SEER

Digit 6 = Connection Type  
5 = Flare

Digit 7,8 = Nominal Capacity  
(Btu/h x 1,000)

09 = 9,000 Btu/h  
12 = 12,000 Btu/h  
18 = 18,000 Btu/h  
24 = 24,000 Btu/h  
30 = 30,000 Btu/h  
36 = 36,000 Btu/h

Digit 9 = Major Development Sequence  
A = First Development Sequence

Digit 10 = Electric Power Supply Characteristics  
1 = 208-230/60/1

Digit 11 = Reserved for Future Use  
0 = Not Currently Used

Digit 12 = Regional Markets Served  
N = North America Market

Digit 13 = Reserved for Future Use  
0 = Not Currently Used

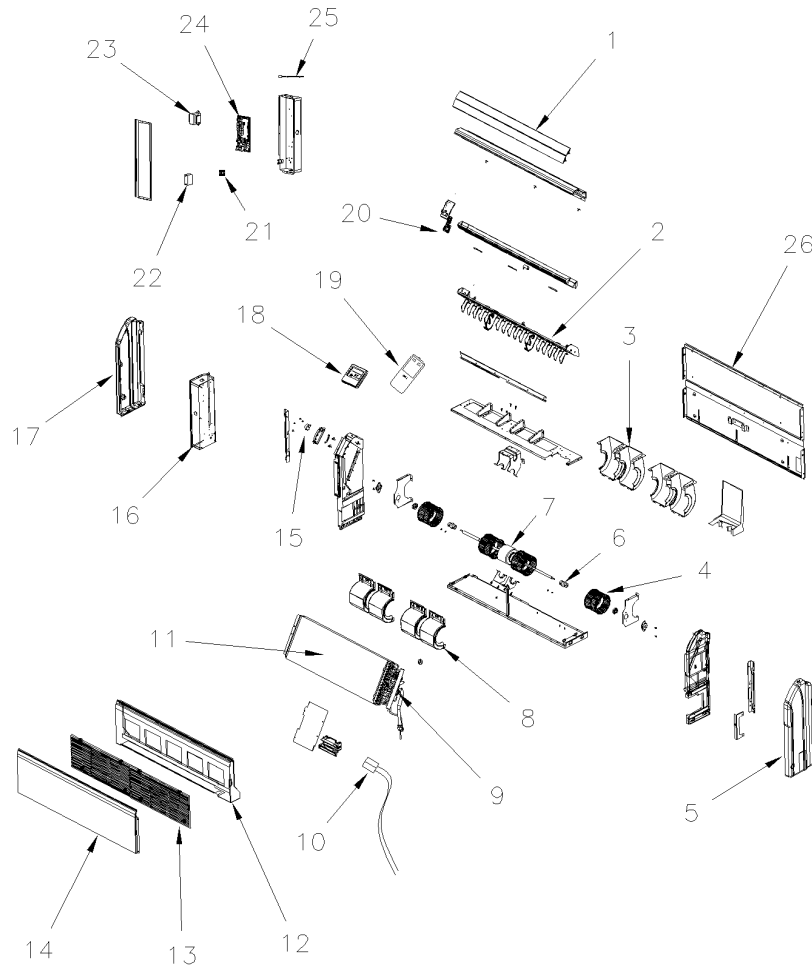
Digit 14 = Minor Design Sequence  
A = First Design Sequence  
B = Second Design Sequence

Digit 15 = Service Digit  
A = First Sequence

GENERAL ASSEMBLY

75010017

REV  
A



\*NOT ILLUSTRATED  
TYPICAL ILLUSTRATION

Parts List Number :4MXFUP1#4MXFUP1

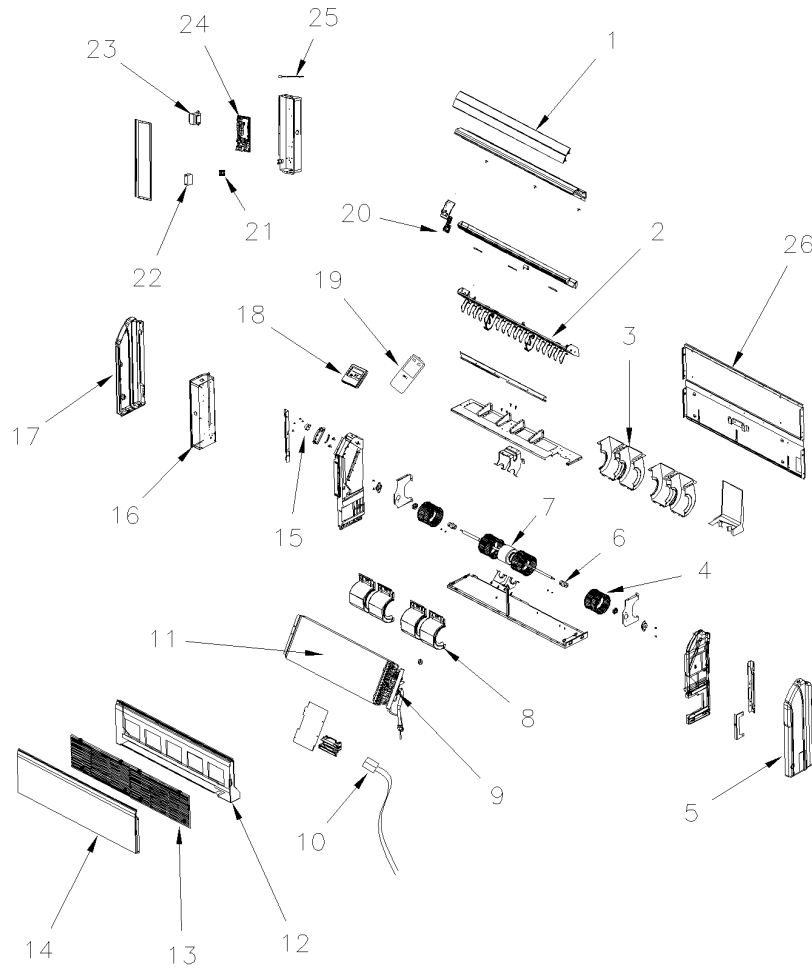
Model Number :4MXX8512A10N0AA

| Part No.                  | Reference No. | Quantity | Description   |
|---------------------------|---------------|----------|---|
| 75010017_4MXFUP1_198806~P | *             |          | GENERAL ASSEMBLY CONVERTIBLE (FLOOR/CEILING) PARTS LIST |

GENERAL ASSEMBLY

75010017

REV  
A



\*NOT ILLUSTRATED  
TYPICAL ILLUSTRATION

Parts List Number :4MXFUP1#4MXFUP1

Model Number :4MXX8512A10N0AA

| Part No. | Reference No. | Quantity | Description                           |
|----------|---------------|----------|---------------------------------------|
| PIP01684 | *             | 1        | PIPE; DRAIN PIPE                      |
| LVR01143 | 1             | 2        | LOUVER; GUIDE                         |
| FRM02160 | 2             | 1        | FRAME; BASE                           |
| HUS04121 | 3             | 4        | HOUSING; FRONT VOLUTE CASING          |
| FAN05031 | 4             | 4        | FAN; CENTRIFUGAL FAN                  |
| PNL29826 | 5             | 1        | PANEL; RIGHT COVER PLATE              |
| UNN00978 | 6             | 2        | UNION; JOINT SLACK                    |
| MOT16156 | 7             | 1        | MOTOR; FAN                            |
| HUS04122 | 8             | 4        | HOUSING; REAR VOLUTE CASING           |
| FLR07802 | 9             | 1        | FILTER;                               |
| SEN02186 | 10            | 1        | SENSOR; TEMPERATURE, 20KT-XH-2P(RE D) |
| COL20396 | 11            | 1        | COIL; EVAPORATOR ASSY                 |
| PAN03414 | 12            | 1        | PAN; WATER TRAY ASSY                  |
| GRL01919 | 13            | 2        | GRILLE; FRONT SUB-ASSY                |
| PNL29831 | 14            | 1        | PANEL; TOP COVER BOARD SUB-ASSY       |
| MOT16160 | 15            | 1        | MOTOR; STEP                           |
| CNT07042 | 16            | 1        | CONTROL; ELECTRIC BOX ASSY            |
| PNL29836 | 17            | 1        | PANEL; LEFT COVER PLATE               |
| CNT07041 | 18            | 1        | CONTROLLER; WIRED                     |
| CNT07032 | 19            | 1        | CONTROLLER; REMOTE                    |
| BRD04887 | 20            | 1        | BOARD; DISPLAY                        |
| BRD03953 | 21            | 1        | BOARD; TERMINAL BOARD( 420111041)     |
| CPT02255 | 22            | 1        | CAPACITOR; CBB61                      |
| TRR02149 | 23            | 1        | TRANSFORMER; (43110257)               |
| BRD04896 | 24            | 1        | BOARD; MAIN                           |
| SEN02190 | 25            | 1        | SENSOR; TEMPERATURE                   |
| PNL29812 | 26            | 1        | PANEL; REAR SIDE PLATE ASSY           |