

Part No.	Reference No.	Quantity	Description
4MXFUP1_4MXFUP1_151295~P	*		4MXFUP1 PARTS LIST
75010017#4MXFUP1~S	*		GENERAL ASSEMBLY CONVERTIBLE (FLOOR/CEILING)
75010006#4MXFUP1~S	*		INDOOR MODEL NOMENCLATURE

NO GRAPHIC AVAILABLE

75013702

REV
A

**NO
GRAPHIC
AVAILABLE**

MODEL NOMENCLATURE

75010006

REV
A

G. Indoor Unit – Inverter 1:1 & Multi-Split Systems

Model Number Example

4 M X W 6 5 1 2 A 1 0 N 0 B A
1 2 3 4 5 6 7 8 9 10 11 12 13 14 15

Digit 1 = Refrigerant
 4 = R-410a

Digit 2 = Brand Name
 M = Mini-Split Indoor Unit

Digit 3 = Functional Type
 X = Heat Pump Inverter
 Y = Cooling Only Inverter

Digit 4 = Configuration Indoor Unit
 W = High Wall Unit
 D = Concealed (Duct) Unit
 C = Cassette Unit
 F = Floor Console Unit
 X = Convertible (Floor/Ceiling) Mount

Digit 5 = Efficiency Tier
 6 = 16+ SEER
 8 = 18+ SEER

Digit 6 = Connection Type
 5 = Flare

Digit 7,8 = Nominal Capacity
 (Btu/h x 1,000)

09 = 9,000 Btu/h
 12 = 12,000 Btu/h
 18 = 18,000 Btu/h
 24 = 24,000 Btu/h
 30 = 30,000 Btu/h
 36 = 36,000 Btu/h

Digit 9 = Major Development Sequence
 A = First Development Sequence

Digit 10 = Electric Power Supply Characteristics
 1 = 208-230/60/1

Digit 11 = Reserved for Future Use
 0 = Not Currently Used

Digit 12 = Regional Markets Served
 N = North America Market

Digit 13 = Reserved for Future Use
 0 = Not Currently Used

Digit 14 = Minor Design Sequence
 A = First Design Sequence
 B = Second Design Sequence

Digit 15 = Service Digit
 A = First Sequence

Part No.	Reference No.	Quantity	Description
75010006_4MXFUP1_151296~P	*		INDOOR MODEL NOMENCLATURE PARTS LIST

MODEL NOMENCLATURE

75010006

REV
A

G. Indoor Unit – Inverter 1:1 & Multi-Split Systems

Model Number Example

4 M X W 6 5 1 2 A 1 0 N 0 B A
1 2 3 4 5 6 7 8 9 10 11 12 13 14 15

Digit 1 = Refrigerant

4 = R-410a

Digit 2 = Brand Name

M = Mini-Split Indoor Unit

Digit 3 = Functional Type

X = Heat Pump Inverter

Y = Cooling Only Inverter

Digit 4 = Configuration Indoor Unit

W = High Wall Unit

D = Concealed (Duct) Unit

C = Cassette Unit

F = Floor Console Unite

X = Convertible (Floor/Ceiling) Mount

Digit 5 = Efficiency Tier

6 = 16+ SEER

8 = 18+ SEER

Digit 6 = Connection Type

5 = Flare

Digit 7,8 = Nominal Capacity

(Btu/h x 1,000)

09 = 9,000 Btu/h

12 = 12,000 Btu/h

18 = 18,000 Btu/h

24 = 24,000 Btu/h

30 = 30,000 Btu/h

36 = 36,000 Btu/h

Digit 9 = Major Development Sequence

A = First Development Sequence

Digit 10 = Electric Power Supply Characteristics

1 = 208-230/60/1

Digit 11 = Reserved for Future Use

0 = Not Currently Used

Digit 12 = Regional Markets Served

N = North America Market

Digit 13 = Reserved for Future Use

0 = Not Currently Used

Digit 14 = Minor Design Sequence

A = First Design Sequence

B = Second Design Sequence

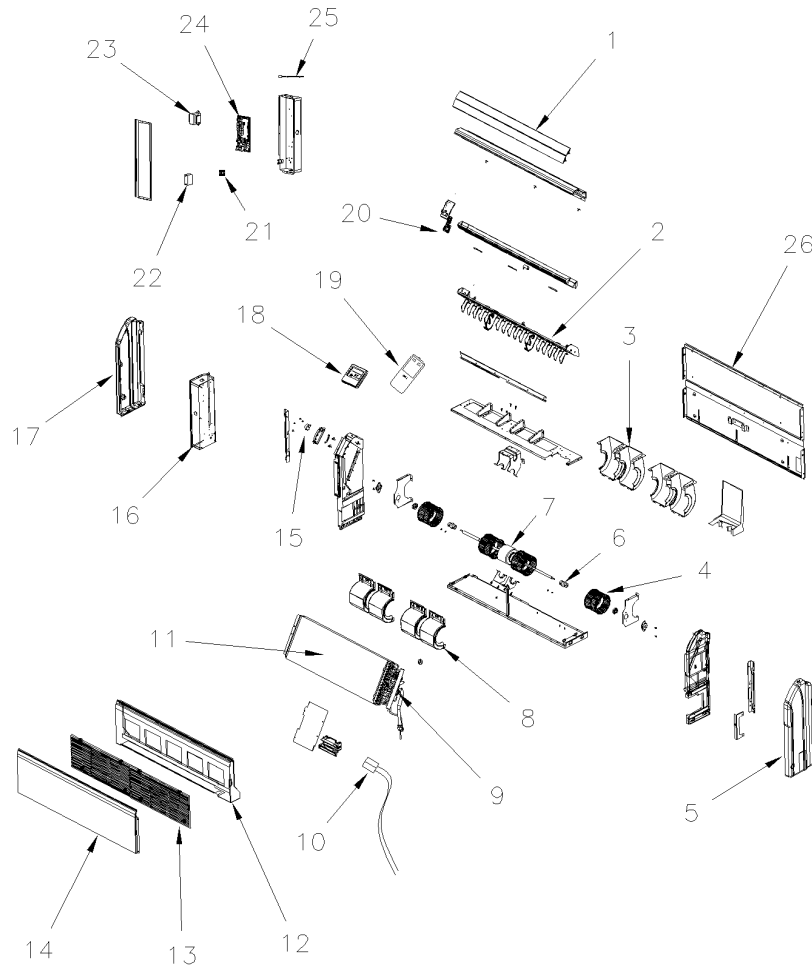
Digit 15 = Service Digit

A = First Sequence

GENERAL ASSEMBLY

75010017

REV
A



*NOT ILLUSTRATED
TYPICAL ILLUSTRATION

Parts List Number :4MXFUP1#4MXFUP1

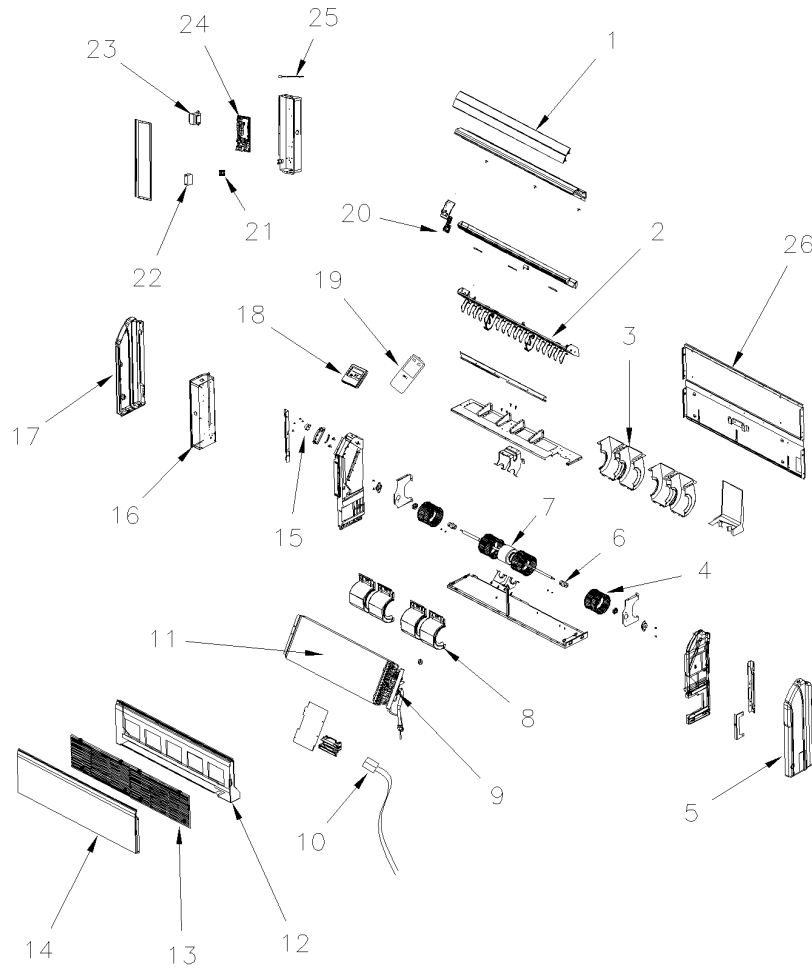
Model Number :4MXX8509A10N0AA

Part No.	Reference No.	Quantity	Description
75010017_4MXFUP1_368296~P	*		GENERAL ASSEMBLY CONVERTIBLE (FLOOR/CEILING) PARTS LIST

GENERAL ASSEMBLY

75010017

REV
A



*NOT ILLUSTRATED
TYPICAL ILLUSTRATION

Parts List Number :4MXFUP1#4MXFUP1

Model Number :4MXX8509A10N0AA

Part No.	Reference No.	Quantity	Description
PIP01684	*	1	PIPE; DRAIN PIPE
LVR01143	1	2	LOUVER; GUIDE
FRM02160	2	1	FRAME; BASE
HUS04121	3	4	HOUSING; FRONT VOLUTE CASING
FAN05031	4	4	FAN; CENTRIFUGAL FAN
PNL29826	5	1	PANEL; RIGHT COVER PLATE
UNN00978	6	2	UNION; JOINT SLACK
MOT16156	7	1	MOTOR; FAN
HUS04122	8	4	HOUSING; REAR VOLUTE CASING
FLR07802	9	1	FILTER;
SEN02186	10	1	SENSOR; TEMPERATURE, 20KT-XH-2P(RED)
COL20396	11	1	COIL; EVAPORATOR ASSY
PAN03414	12	1	PAN; WATER TRAY ASSY
GRL01919	13	2	GRILLE; FRONT SUB-ASSY
PNL29831	14	1	PANEL; TOP COVER BOARD SUB-ASSY
MOT16160	15	1	MOTOR; STEP
CNT07042	16	1	CONTROL; ELECTRIC BOX ASSY
PNL29836	17	1	PANEL; LEFT COVER PLATE
CNT07041	18	1	CONTROLLER; WIRED
CNT07032	19	1	CONTROLLER; REMOTE
BRD04887	20	1	BOARD; DISPLAY
BRD03953	21	1	BOARD; TERMINAL BOARD(420111041)
CPT02255	22	1	CAPACITOR; CBB61
TRR02149	23	1	TRANSFORMER; (43110257)
BRD04896	24	1	BOARD; MAIN
SEN02190	25	1	SENSOR; TEMPERATURE