

Part No.	Reference No.	Quantity	Description
76002473	SEC 01		MODEL NOMENCLATURE
76002454	SEC 02		GENERAL ASSEMBLY

GENERAL ASSY

76002473

REV
A

27 SEER MINI-SPLITS INDOOR

4 M Y W 9 5 2 4 A 1 0 0 0 A A
1 2 3 4 5 6 7 8 9 10 11 12 13 14 15

Digit #1 = Refrigerant

4 = R-410A

Digit #2 = Brand

M = Trane Mini-Split High Wall Unit

Digit #3 = Functional Type

X = Heat Pump Inverter Y = Cooling Only Inverter

Digit #4 = Configuration Indoor Unit

W = High Wall Unit

Digit #5 = Efficiency Tier

8 = Up to 22 SEER 9 = Up to 27 SEER

Digit #6 = Connection Type

5 = Flare

Digit #7, 8 = Nominal Capacity (Btu/h x 1,000)

09 = 9,000 Btu/h 12 = 12,000 Btu/h

18 = 18,000 Btu/h 24 = 24,000 Btu/h

Digit #9 = Major Development Sequence

A = First Development Sequence

Digit #10 = Electric Power Supply Characteristics

1 = 220/60/1

Digit #11 = Reserved for Future Use

0 = Not currently used

Digit #12, 13 = Reserved for Future Use

0 = Not currently used

Digit #14 = Minor Design Sequence

A = First Design Sequence B = Second Design Sequence

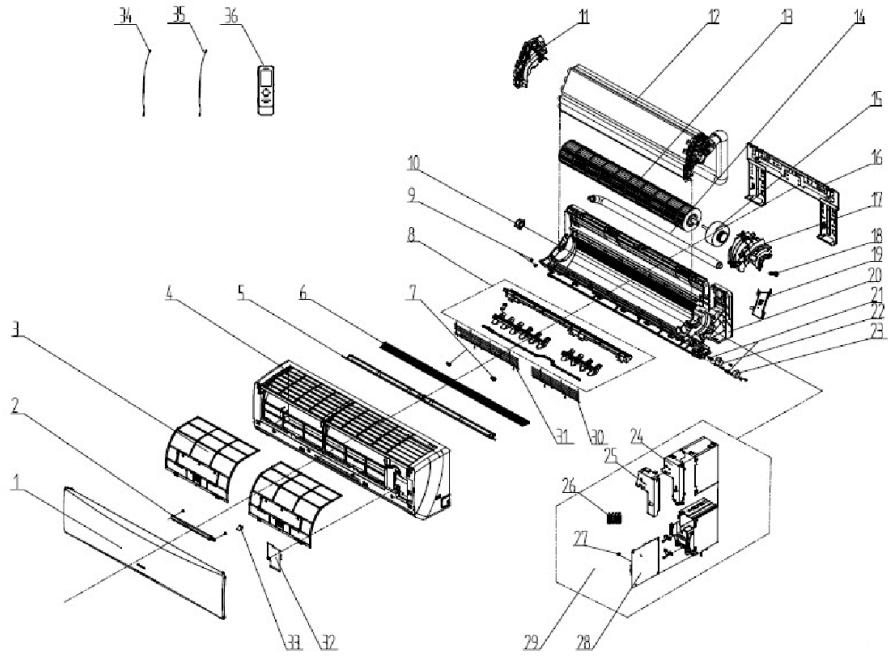
Digit #15 = Service Digit

A = First Sequence

GENERAL ASSEMBLY

76002454

REV
A



4MXW9509A1000AA
4MXW9512A1000AA

Part No.	Reference No.	Quantity	Description
EVP02014	12	1	(01002364) Evaporator Assy
FAN05379	13	1	(10352033) Cross Flow Fan
MOT16747	15	1	(15013314) Fan Motor
MOT16717	22	1	(15212126) Step Motor
MOT16716	23	1	(15212125) Step Motor
BRD05101	28	1	(30148296) Main Board
BOX02599	29	1	(20302490) Electric Box Assy
SEN01333	34	1	SENSOR; AMBIENT TEMPERATURE (390000451)
SEN02275	35	1	(390000598) Temperature Sensor